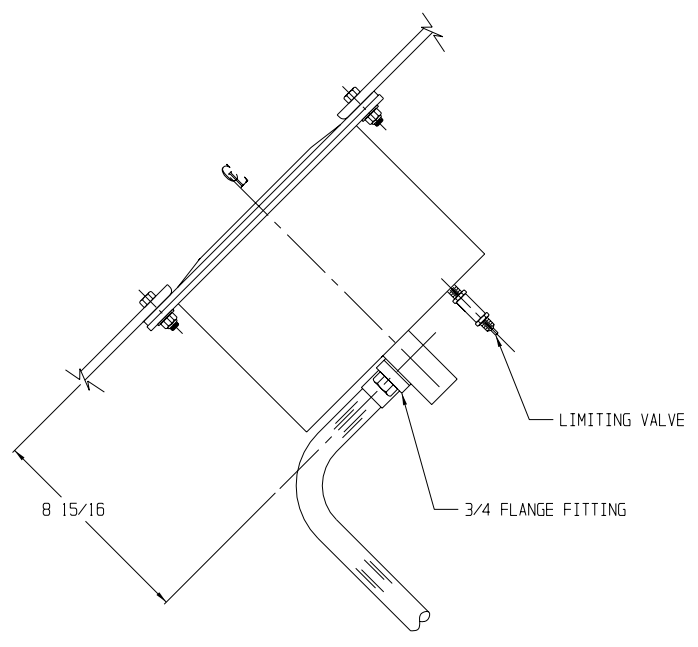
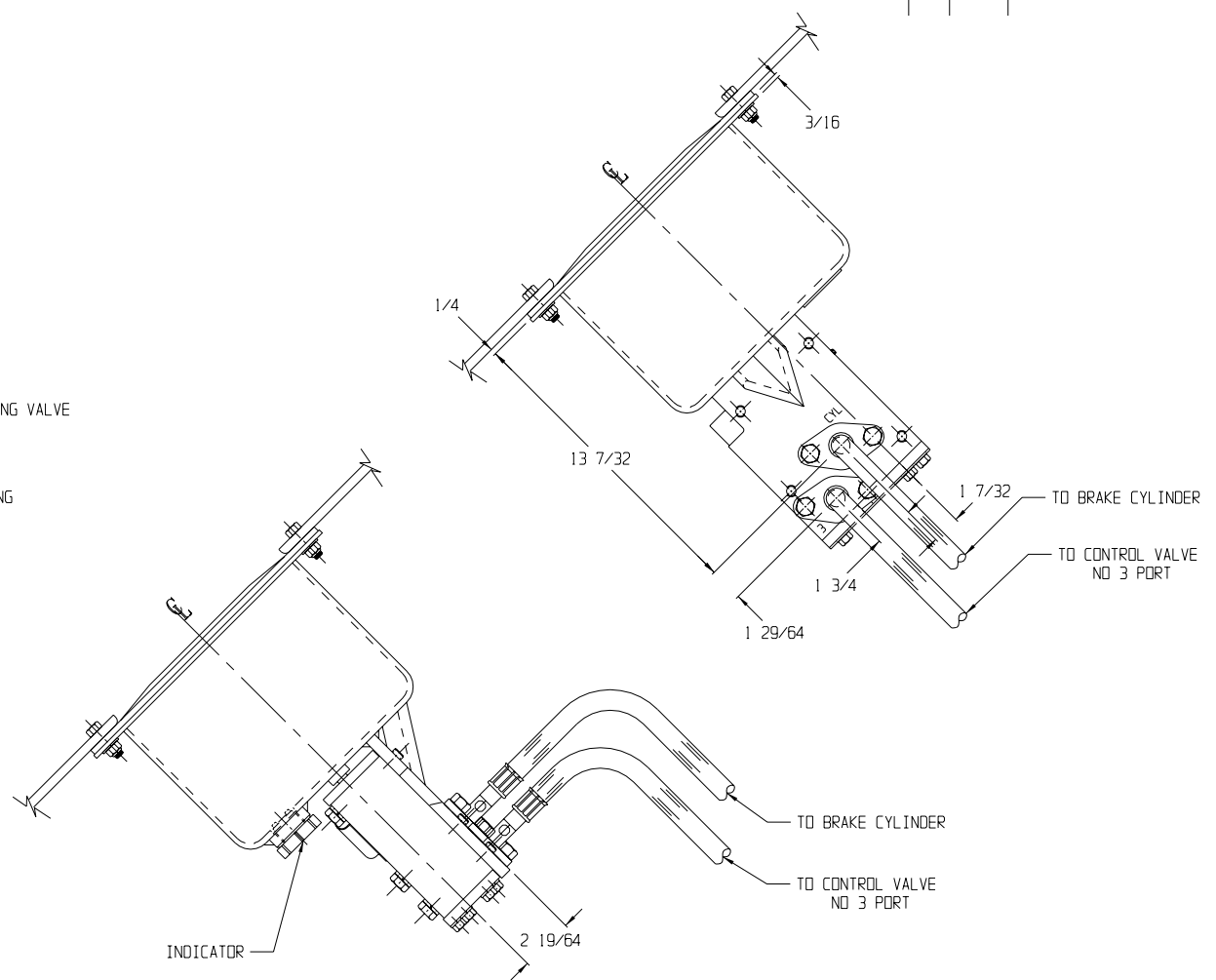


11 10 9 8 7 6 5 4 3 2 1

REVISIONS			
LTR	DATE	DESCRIPTION	BY
	4/1/05	ISSUED PER ECN 6139	DAC



6200-4  
EMPTY/LOAD DEVICE  
(SOME APPLICATIONS ARE ROTATED 180°)



6200-5B  
EMPTY/LOAD DEVICE

INSTRUCTIONS:

- 1.) REMOVE MODEL 6200-4 FROM CAR.
- 2.) ATTACH MODEL 6200-5B TO FLOOR SHEET WITH (8) NEW, MINIMUM GRADE 5, ZINC PLATED 3/8" DIA BOLTS (LENGTH TO SUIT) WITH (2) GRADE 5 EQUIVALENT ZINC PLATED WASHERS AND ZINC PLATED LOCKNUTS TORQUED TO 20 TO 25 FT. LBS.
- 3.) ATTACH SUITABLE LENGTH HOSES BETWEEN E/L DEVICE AND BRAKE CYLINDER (OR BRAKE CYLINDER PIPE).
- 4.) ATTACH SUITABLE LENGTH HOSES TO NO. 3 PORT ON E/L.
- 5.) MODIFY CYLINDER LINE REMOVED IN STEP NO. 1 (OR MAKE NEW PIPE). WELD FLANGE CONNECTION TO NEW LINE OR MODIFIED PIPE, CONNECT PIPE TO NO 3 PORT OF AB VALVE, AND HOSE FROM NO. 3 PORT ON E/L.

THIS DOCUMENT AND ITS CONTENTS CONTAIN CONFIDENTIAL AND PROPRIETARY INFORMATION OWNED BY ELLCON-NATIONAL, INC. AND IT AND ALL COPIES THEREOF ARE TO BE RETURNED TO ELLCON-NATIONAL WHEN SO REQUESTED. THIS DOCUMENT OR ANY PART THEREOF SHALL NOT BE REPRODUCED, COPIED, OR TRANSMITTED ELECTRONICALLY. THE INFORMATION CONTAINED HEREIN SHALL NOT BE DISCLOSED BY THE RECIPIENT TO OTHERS OR USED BY RECIPIENT WITHOUT THE PRIOR WRITTEN CONSENT SPECIFIC TO EACH CASE. ELLCON-NATIONAL, INC.

NEXT ASS'Y USED ON

50 BEECHTREE BLVD. GREENVILLE, S.C. 29605	
REPLACEMENT OF MODEL 6200-4 E/L DEVICE WITH 6200-5B E/L DEVICE	
SCALE 1/4	DATE 2-7-01
DRAWN GMP	C-34561
CHECKED JLF	

11 10 9 8 7 6 5 4 3 2 1