

THIS HAND BRAKE MEETS OR EXCEEDS APTA SS-M-006 STANDARD FOR PARKING BRAKES FOR NEW RAIL PASSENGER, AND LOCOMOTIVE CARS. ALSO APTA-SS-M-016 STANDARD SAFETY APPLICATIONS FOR RAIL PASSENGER CARS. FOR OLDER BRAKES THAT DO NOT MEET THESE STANDARDS REFER TO DRAWING D-2397.

REVISIONS			
REV	DATE	DESCRIPTION	ECN BY
-		ISSUED DRAWING	8775

GENERAL DATA

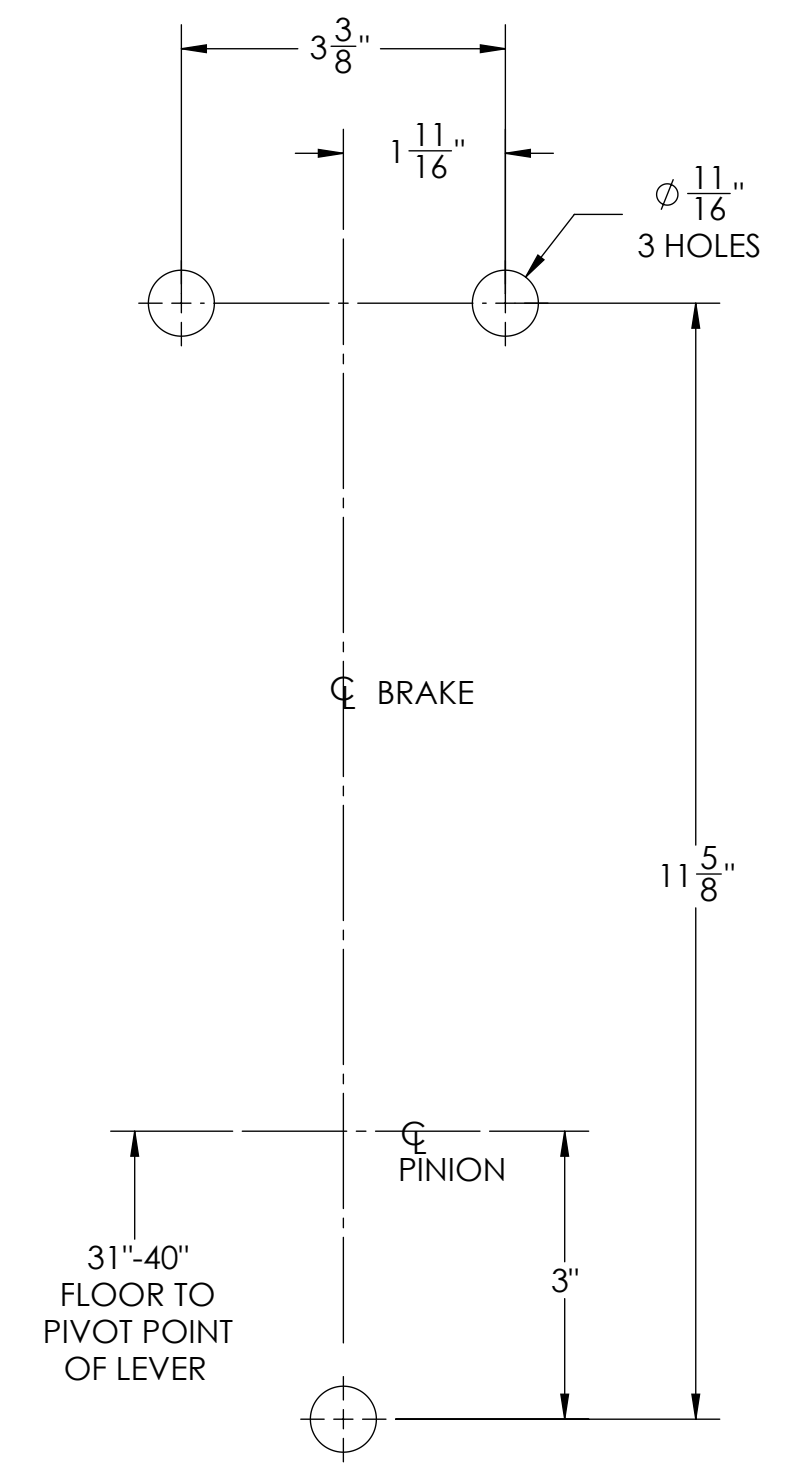
MADE IN MALLEABLE IRON AND STEEL CONSTRUCTION WITH BLACK PRIMER FINISH.
 WEIGHT: 75 ± 5 LBS.
 GEAR RATIO: 5:1
 CHAIN TRAVEL: UNLIMITED
 FORCE PRODUCED WITH 125 LBS. ON HAND LEVER:
 3400# WITH 20" HAND LEVER
 3890# WITH 22" HAND LEVER
 4180# WITH 24" HAND LEVER

BRAKE RIGGING TO BE EQUIPPED WITH A SUITABLE RETURN SPRING IN ORDER TO EFFECT A FULL RELEASE OF HAND BRAKE.

FOR LUBRICATION CHART SEE DWG C-33962

- NOTES:
- TOLERANCES UNLESS NOTED (A) DIMENSIONS MARKED WITH * ASTERICK ARE ±1/32 (B) DIMENSIONS MARKED WITH ** ASTERICK ARE ±1/16
 - TOLERANCES ARE NON-CUMULATIVE
 - IF ANY DIMENSIONS ARE CRITICAL TO THE INSTALLATION, CONTACT ELLCON-NATIONAL ENGINEERING DEPT.

QTY.	PART NO.	DESCRIPTION	ITEM
1	4234	MODEL PLATE	41
6	3338	RIVET, 1/8 CLOSED END	40
1	31818	WARNING LABEL	39
1	18	END LINK	38
2	3442-10	SCREW 3/8-16 X 7/8 HX HD	37
1	1091-A	JOINER	36
1	939-R	CHAIN GUIDE	35
1	825-A	CHAIN SNUBBER WEIGHT PIN	34
1	823-A	SNUBBER WEIGHT	33
1	941-A	CHAIN SNUBBER	32
1	788	CHAIN ASSY. 1/2" 14,000# P.T. 8'-0" O.A.	31
1	1076	ADJUSTING SCREW	30
1	821	RATCHET	29
1	703	SCREW, 1/4-20 X 1/2 HX. HD. CAP	28
1	817	HAND LEVER PAWL SPRING	27
1	816-A	HEADED SHAFT	26
1	815	HAND LEVER PAWL	25
1	1747	RETAINER	24
1	1853-	HAND LEVER 20", 22", 24"	23
1	1035	TRIP LEVER SPRING	22
1	1141-1	TRIP LEVER	21
1	1383	ROLL PIN	20
1	1152-A	SPINDLE	19
1	1149	SPRING	18
2	819-C	SHAFT	17
1	3002	HOLDING PAWL PIN	16
1	1146	HOLDING PAWL	15
4	889	WASHER, LOCKING 3/8 INT. TOOTH	14
2	998-A	SCREW, 3/8-16 X 1" HX. HD. CAP	13
2	1098	RETAINER	12
1	805	RATCHET	11
1	804	PINION SHAFT	10
2	611-A	BEARING	9
1	803-C	CHAIN GEAR SHAFT	8
1	4918	CHAIN DRUM	7
1	74-CX	BEARING	6
1	74-AY	BEARING	5
3	1086	WASHER, LOCKING 1/4 INT. TOOTH	4
2	1096	HOUSING COVER SCREW	3
1	1097-R	COVER	2
1	801-ER	HOUSING	1



DRILLING DIAGRAM

INTERPRET DRAWING IN ACCORDANCE WITH ASME Y14.5	THIRD ANGLE PROJECTION
ALL DIMENSIONS ARE IN INCHES UNLESS NOTED	TOLERANCES/FINISHES UNLESS OTHERWISE NOTED
DECIMALS: .XX ±	FRACTIONS: XXX ±
ANGLES: °	MACHINED SURFACES
DRILLED HOLE DIAMETERS +.010/-01	BREAK ALL SHARP CORNERS AND EDGES
CSK ALL TAPPED HOLES 1/8" X ONE THREAD DEEP	MATERIAL
EST. WT. LBS.	

ELLCON NATIONAL
 50 BEECHTREE BLVD. GREENVILLE, S.C. 29605

MODEL 800-RK-CEB HAND BRAKE

DRAWN: RAL CHECKED: MMM DATE: 8-22-08 SCALE: 1:2
 SIZE: D DWG NO: 35527 SHEET: 1 OF 1