

THIS HAND BRAKE MEETS OR EXCEEDS APTA SS-M-006 STANDARD FOR PARKING BRAKES FOR NEW RAIL PASSANGER, AND LOCOMOTIVE CARS. ALSO APTA-SS-M-016 STANDARD SAFETY APPLICATIONS FOR RAIL PASSANGER CARS. FOR OLDER BRAKES THAT DO NOT MEET THESE STANDARDS REFER TO DRAWING D-2396.

REVISIONS			
REV	DATE	DESCRIPTION	ECN BY
-	-	ISSUED DRAWING	8775

GENERAL DATA

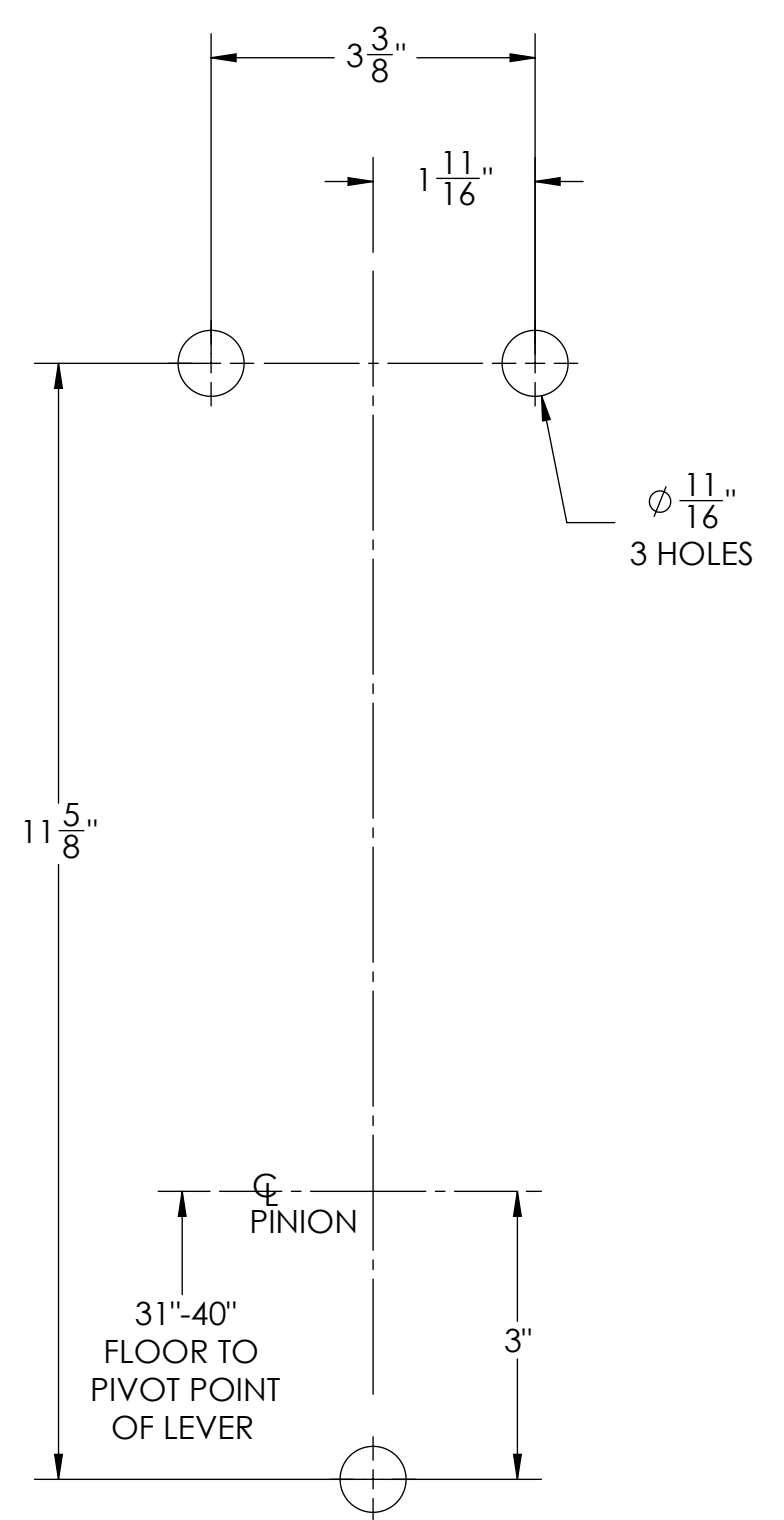
MADE IN MALLEABLE IRON AND STEEL CONSTRUCTION WITH BLACK PRIMER FINISH.
 WEIGHT: 75 ± 5 LBS.
 GEAR RATIO: 5:1
 CHAIN TRAVEL: UNLIMITED
 FORCE PRODUCED WITH 125 LBS. ON HAND LEVER:
 3600# WITH 20" HAND LEVER
 3890# WITH 22" HAND LEVER
 4180# WITH 24" HAND LEVER

BRAKE RIGGING TO BE EQUIPPED WITH A SUITABLE RETURN SPRING IN ORDER TO EFFECT A FULL RELEASE OF HAND BRAKE.

FOR LUBRICATION CHART SEE DWG C-33962

- NOTES:
- TOLERANCES UNLESS NOTED (A) DIMENSIONS MARKED WITH * ASTERICK ARE ± 1/32 (B) DIMENSIONS MARKED WITH ** ASTERICK ARE ± 1/16
 - TOLERANCES ARE NON-CUMULATIVE
 - IF ANY DIMENSIONS ARE CRITICAL TO THE INSTALLATION, CONTACT ELLCON-NATIONAL ENGINEERING DEPT.

QTY.	PART NO	DESCRIPTION	ITEM
1	35524-2	MODEL PLATE	41
1	31818	WARNING LABEL	40
1	1091-A	JOINER	39
1	18	END LINK	38
2	3442-10	SCREW 3/8-16 X 7/8 HX HD	37
1	1076	ADJUSTING SCREW	36
1	703	SCREW, 1/4-20 X 1/2 HX. HD. CAP	35
4	889	WASHER, LOCKING 3/8 INT. TOOTH	34
2	998-A	SCREW, 3/8-16 X 1" HX. HD. CAP	33
3	1086	WASHER, LOCKING 1/4 INT. TOOTH	32
2	1096	HOUSING COVER SCREW	31
6	3338	RIVET, 1/8 CLOSED END	30
1	939	CHAIN GUIDE	29
1	825-A	CHAIN SNUBBER WEIGHT PIN	28
1	823-A	SNUBBER WEIGHT	27
1	941-A	CHAIN SNUBBER	26
1	788	CHAIN 1/2" 14,000# PT. X 8'-0" OA	25
1	1747	RETAINER	24
2	1098	RETAINER	23
1	821	RATCHET	22
1	817	HAND LEVER PAWL SPRING	21
1	816-A	HEADED SHAFT	20
1	815	HAND LEVER PAWL	19
1	1853-	HAND LEVER 20", 22", 24"	18
2	819-C	SHAFT	17
1	1141-1	TRIP LEVER	16
1	1035	TRIP LEVER SPRING	15
1	1149	SPRING	14
1	3002	HOLDING PAWL PIN	13
1	1383	ROLL PIN	12
1	1152-A	SPINDLE	11
1	1146	HOLDING PAWL	10
1	805-L	RATCHET	9
1	804	PINION SHAFT	8
1	803-C	CHAIN GEAR SHAFT	7
2	611-A	BEARING	6
1	4918	CHAIN DRUM	5
1	1097-L	COVER	4
1	74-CX	BEARING	3
1	74-AY	BEARING	2
1	801-EL	HOUSING	1



DRILLING DIAGRAM

INTERPRET DRAWING IN ACCORDANCE WITH ASME Y14.5 THIRD ANGLE PROJECTION ALL DIMENSIONS ARE IN INCHES UNLESS NOTED TOLERANCES/FINISHES UNLESS OTHERWISE NOTED DECIMALS: .XX ± FRACTIONS: XXX ± ANGLES: 1 DRILLED HOLE DIAMETERS +.010/-0.01 BREAK ALL SHARP CORNERS AND EDGES CHAMFER ALL TAPPED HOLES 1:8 X ONE THREAD DEEP MATERIAL		
MODEL 800-LK HAND BRAKE		SCALE 1:2
DRAWN RAL CHECKED MMM DATE 8-6-08	SHEET 1 OF 1	EST. WT. LBS.
NEXT ASSEMBLY USED ON EN CODES CUSTOMER Y VENDOR Y WEB Y	APPROVAL CODE	D 35526