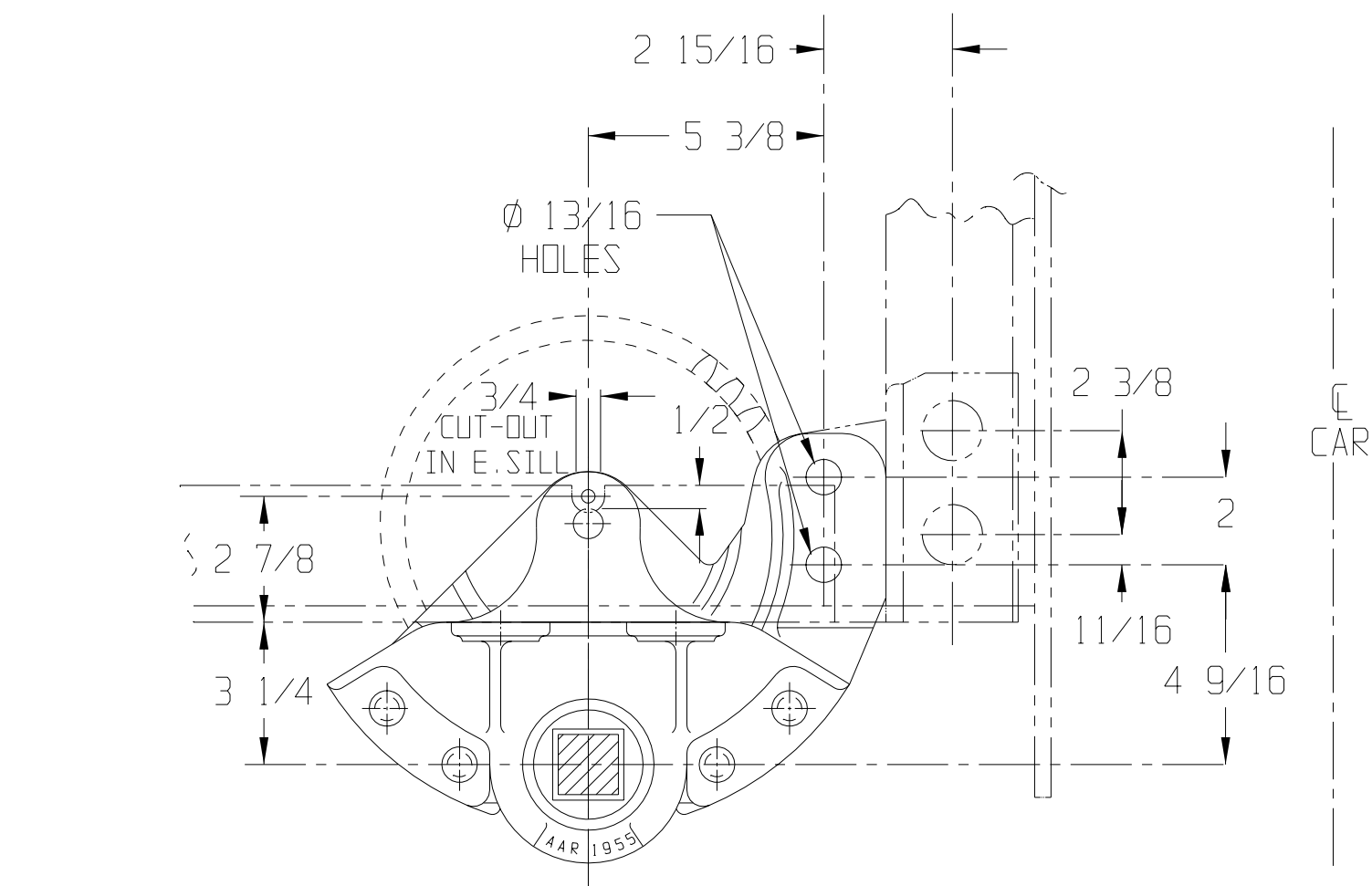
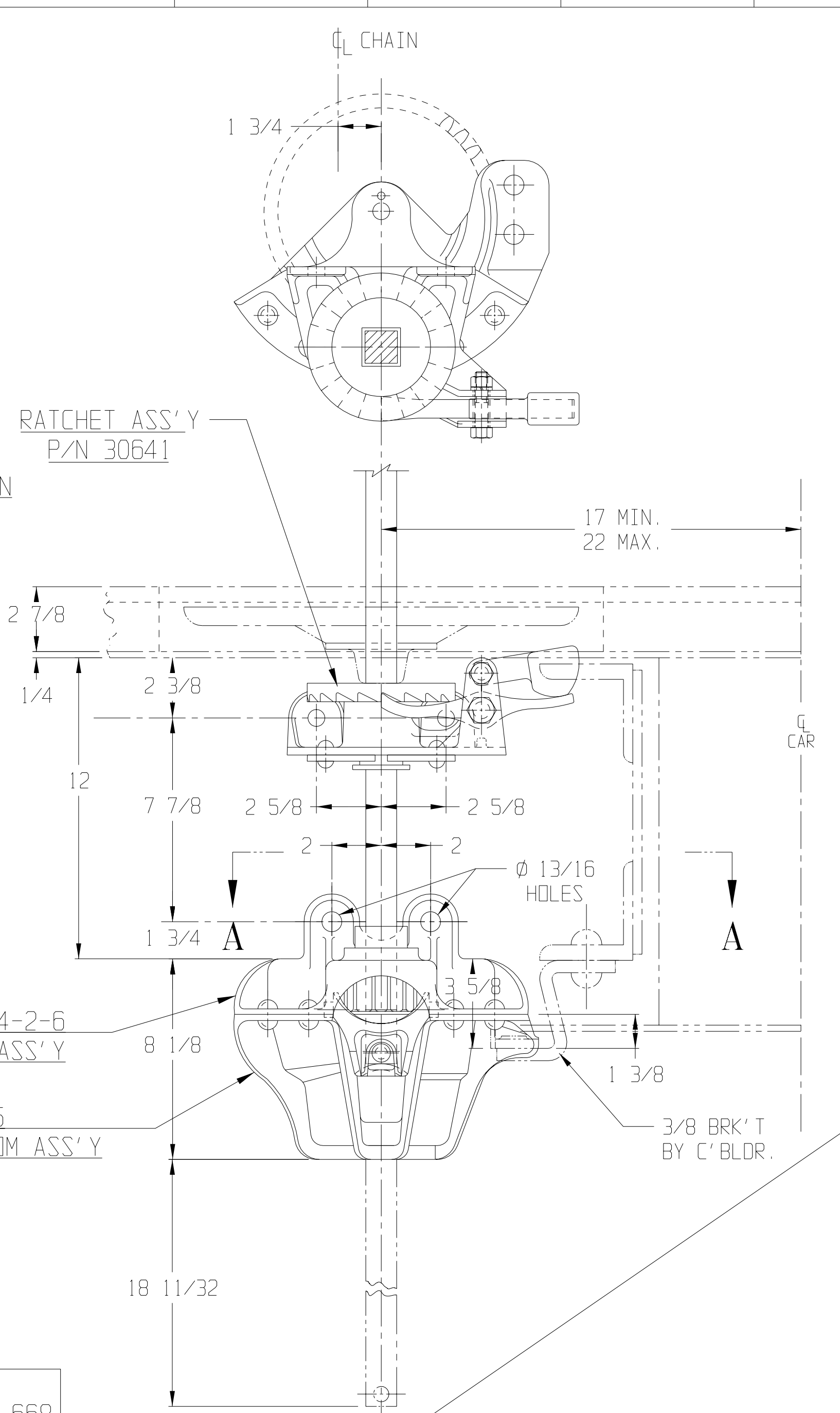


E/N MODEL 30640
A.A.R. DESIG. TYPE 668

GROUP "C"



SECTION A-A

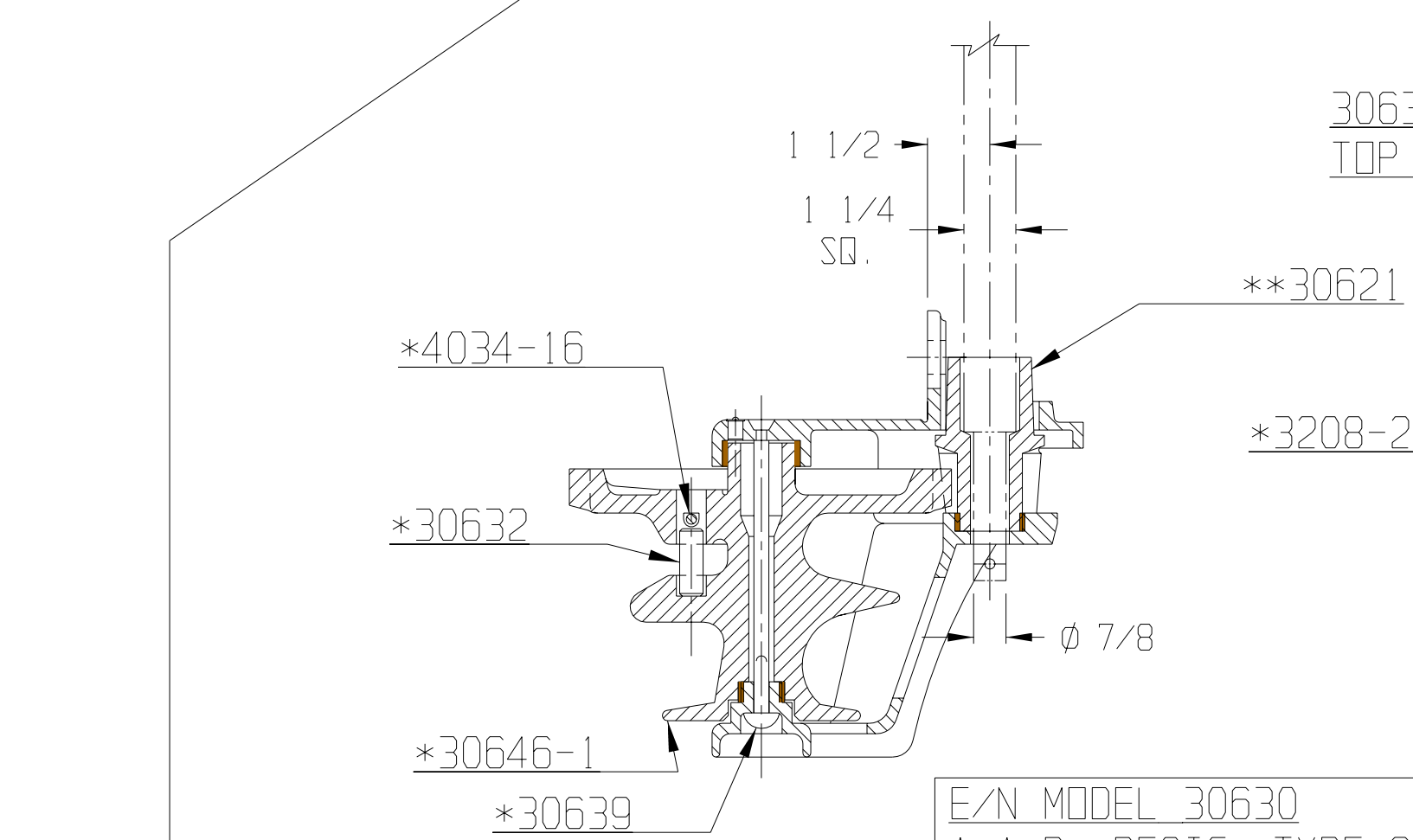


30634-2-6
TOP ASS'Y

30635
BOTTOM ASS'Y

E/N MODEL 30630
A.A.R. DESIG. TYPE 603

GROUP "D"

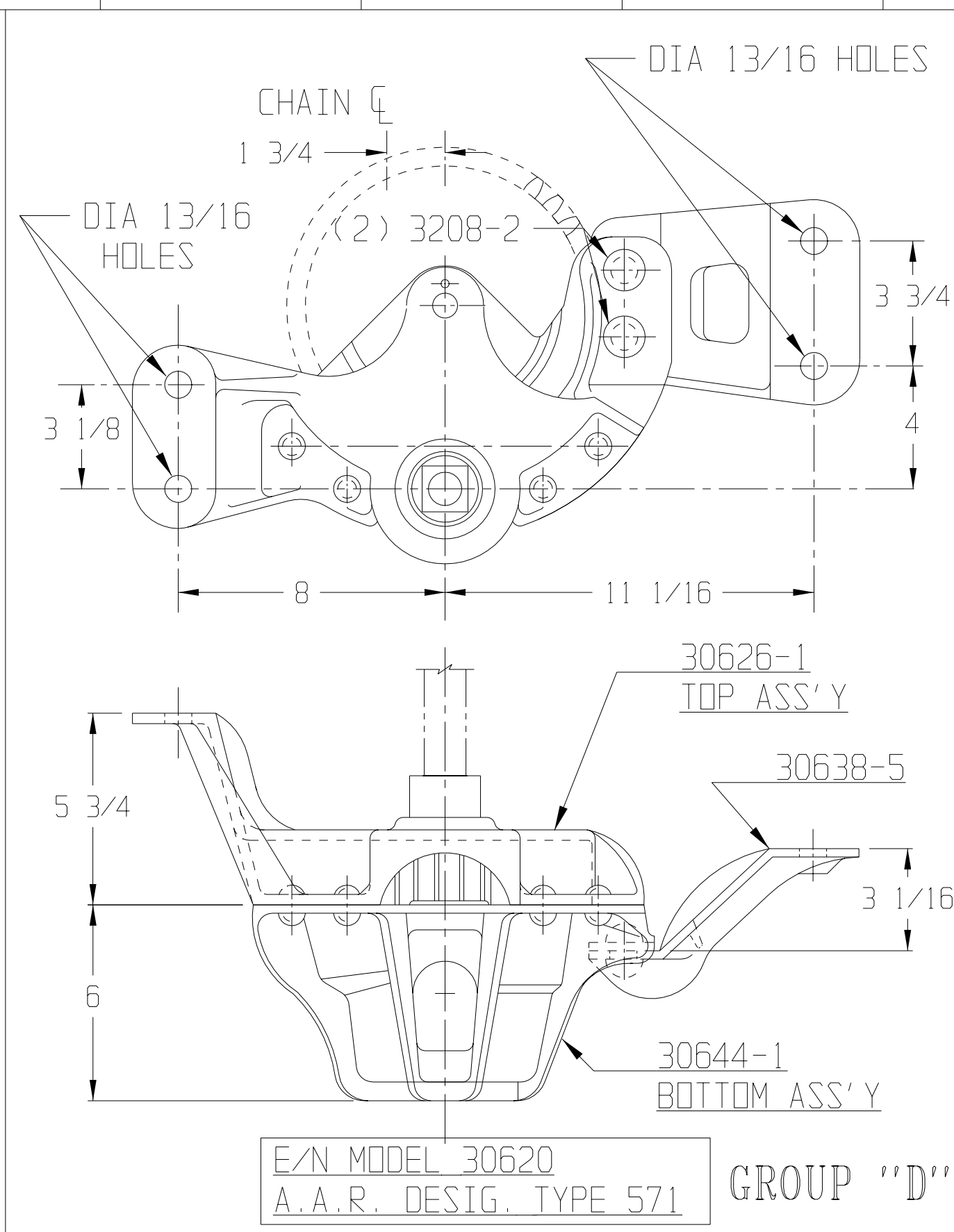


*4034-16

*30632

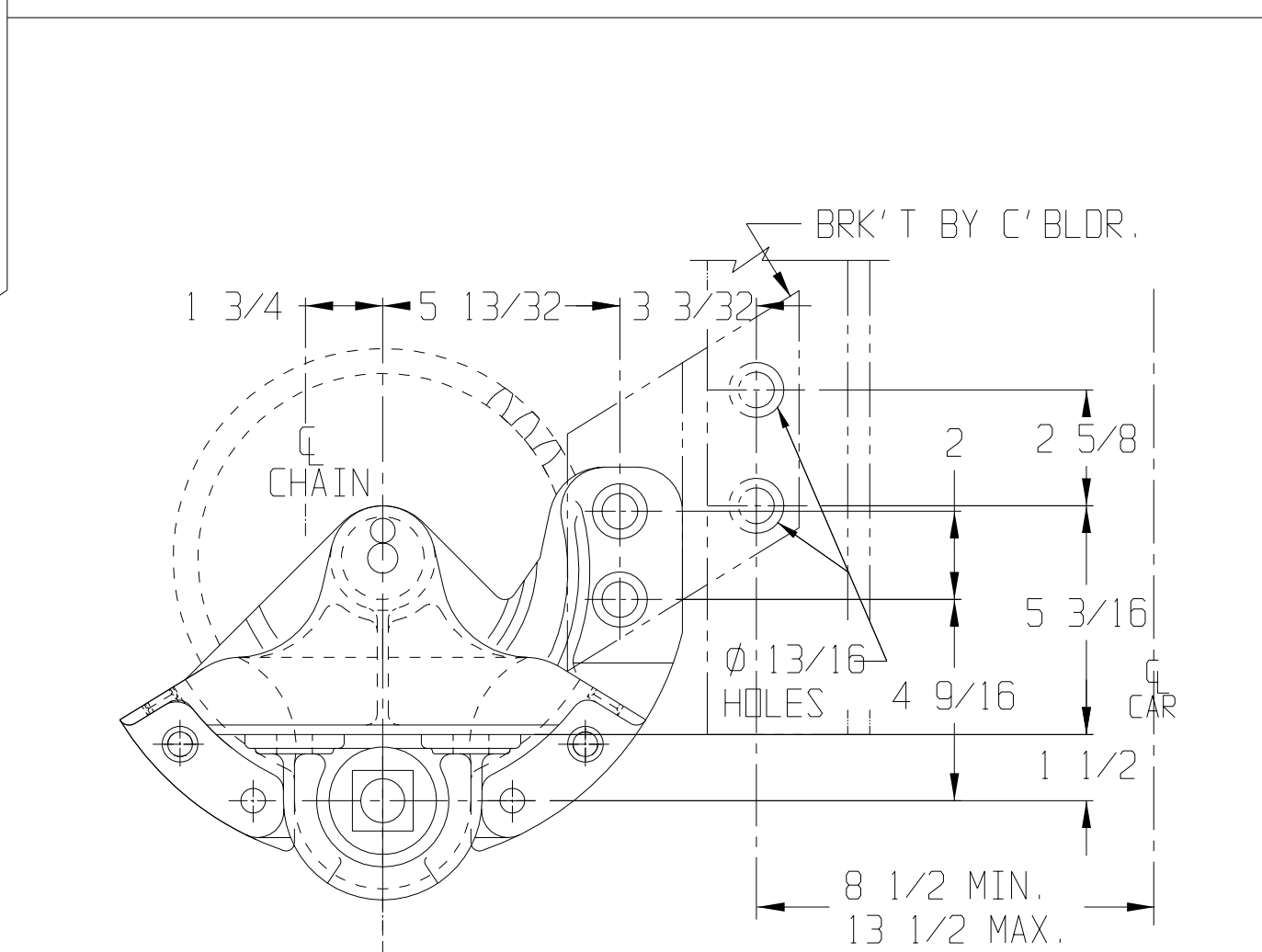
*30646-1

*30639



E/N MODEL 30620
A.A.R. DESIG. TYPE 571

GROUP "D"

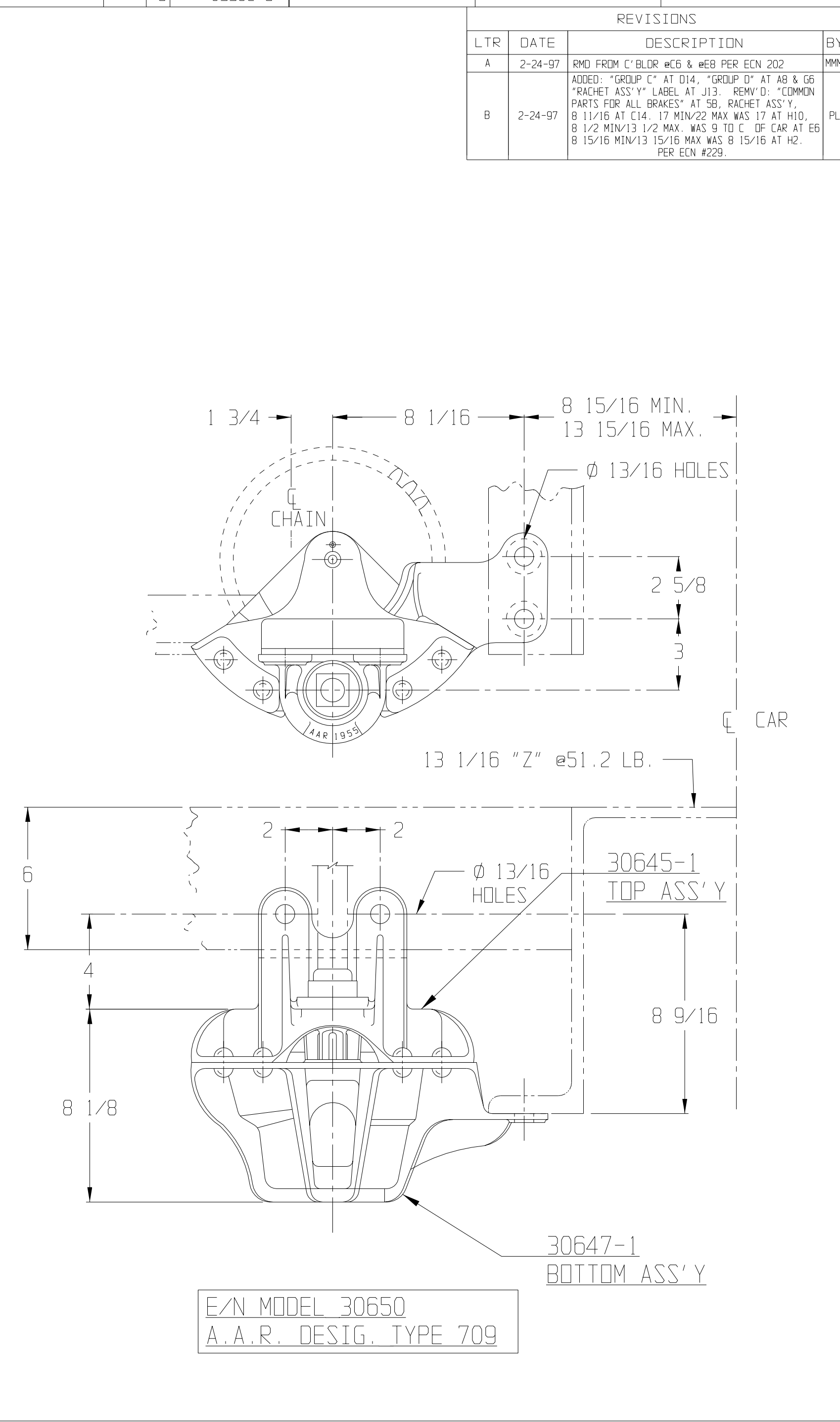


30634-1-4
TOP ASS'Y

**30621

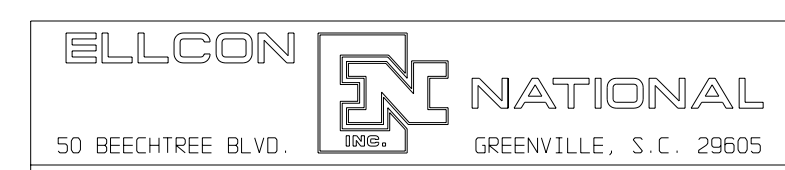
*3208-20

30644-1
BOTTOM ASS'Y



E/N MODEL 30650
A.A.R. DESIG. TYPE 709

REVISIONS			
LTR	DATE	DESCRIPTION	BY
A	2-24-97	RMD FROM C'BLDR @C6 & @E8 PER ECN 202	MMH
B	2-24-97	ADDED: "GROUP C" AT D14, "GROUP D" AT A8 & G6 "RATCHET ASS'Y" LABEL AT J13. REM'D: "COMMON PARTS FOR ALL BRAKES" AT S8, "RATCHET ASS'Y" B 1 1/16 AT C14. 17 MIN/22 MAX WAS 17 AT H10, B 1/2 MIN/13 1/2 MAX. WAS 9 TO C OF CAR AT E6 B 15/16 MIN/13 15/16 MAX WAS 8 15/16 AT H2. PER ECN #229.	PL



SUPERIOR HAND BRAKES
COMPARISON

SCALE	1/4	DATE	5-25-93	REV.	
DRAWN	D. CARROLL	CHECKED	PL		

THIS DOCUMENT AND ITS CONTENTS CONTAIN CONFIDENTIAL AND PROPRIETARY INFORMATION OWNED BY ELLCON-NATIONAL, INC. AND IT AND ALL COPIES THEREOF ARE TO BE RETURNED TO ELLCON-NATIONAL WHEN SO REQUESTED. THIS DOCUMENT OR ANY PART THEREOF SHALL NOT BE REPRODUCED, COPIED, OR TRANSMITTED ELECTRONICALLY. THE INFORMATION CONTAINED HEREIN SHALL NOT BE DISCLOSED BY THE RECIPIENT TO OTHERS OR USED BY RECIPIENT WITHOUT THE PRIOR WRITTEN CONSENT SPECIFIC TO EACH CASE. ELLCON-NATIONAL, INC.

D-32550 B