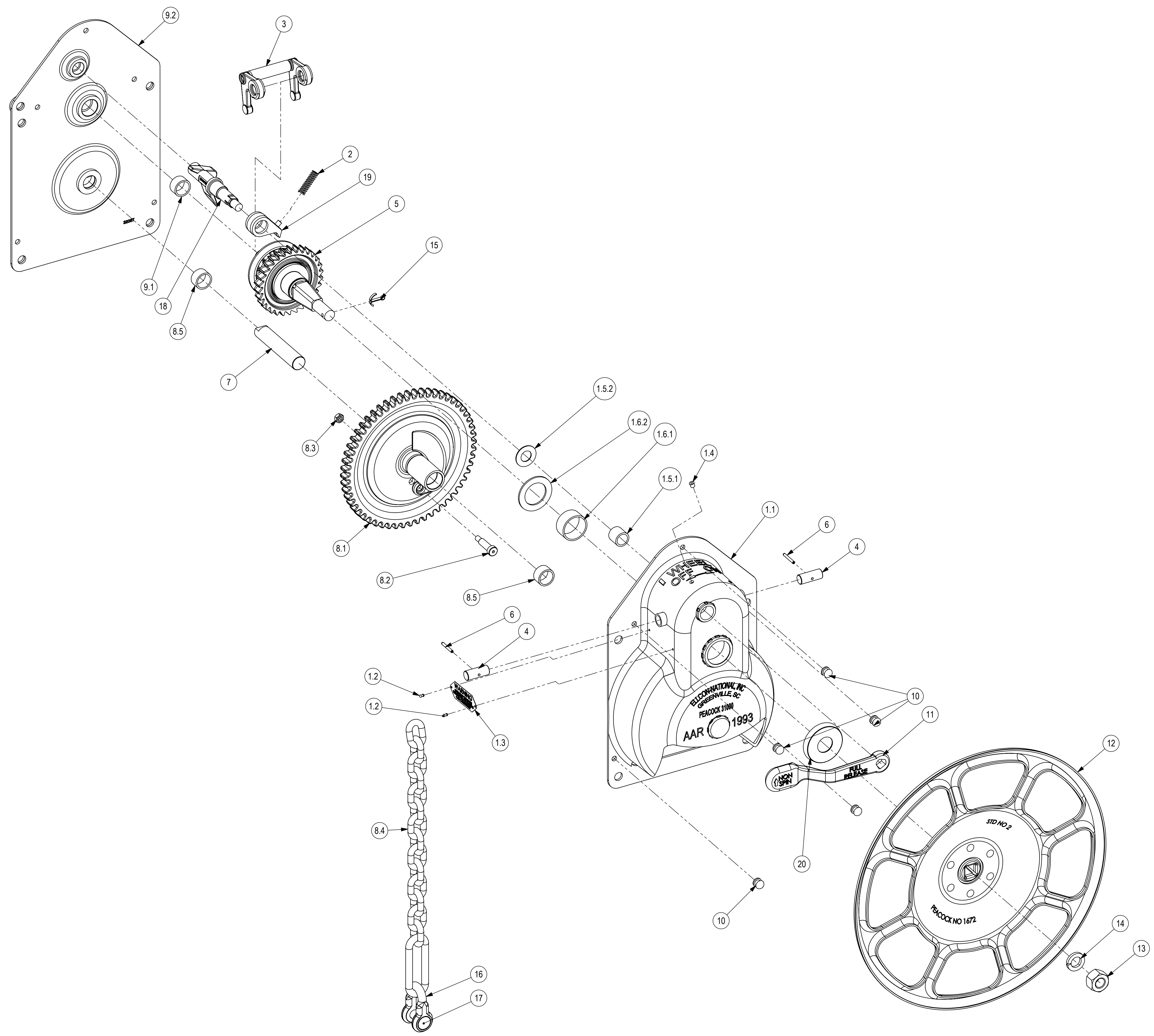


REVISIONS			
REV	DATE	DESCRIPTION	ECN BY
E	04-07-2008	REDRAWN, ADDED 34562	8260 MMM



SEE DRAWING D-31000 FOR ASSEMBLY OF PARTS

20	34562	RUBBER DEFLECTOR	1
19	4092	HOLDING PAWL	1
18	9143	CAM SHAFT	1
17	240	RIVET	1
16	458	CLEVIS	1
15	4034-9	COTTER PIN	1
14	242	LOCK WASHER	1
13	241	NUT	1
12	1672	HAND WHEEL	1
11	32275	TRIP LEVER	1
10	454	RIVET	5
9.2	32067	BACK PLATE ASSEMBLY	1
9.1	32071	BEARING	1
9	32095	BACK PLATE ASSEMBLY	1
8.5	32071	BEARING	2
8.4	32096	CHAIN ASSEMBLY	1
8.3	3443-53	HEX NUT	1
8.2	5340-4	SHOULDER BOLT	1
8.1	32173	GEAR & CHAIN DRUM ASSEMBLY	1
8	32159	CHAIN DRUM ASSEMBLY	1
7	32069	GEAR SHAFT	1
6	1664	ROLL PIN	2
5	32082	PINION ASSEMBLY	1
4	9236	YOKE SHAFT	2
3	4622	YOKE ASSEMBLY	1
2	32075	PAWL SPRING	1
1.6.2	32074-3	BEARING WASHER	1
1.6.1	32074-4	BEARING	1
1.6	32074	PINION BEARING	1
1.5.2	32231-3	FRONT PAWL SHAFT THRUST BEARING	1
1.5.1	32231-4	FRONT PAWL SHAFT BEARING	1
1.5	32231	FRONT PAWL SHAFT BEARING	1
1.4	5892	OIL CUP	1
1.3	31818	WARNING LABEL	1
1.2	3338-1	RIVET	2
1.1	32068	PRESSED STEEL HOUSING	1
1	32083	HOUSING	1
ITEM NO.	Part No	DESCRIPTION	QTY.

BILL OF MATERIALS

INTERPRET DRAWING IN ACCORDANCE WITH ASME Y14.5 ALL DIMENSIONS ARE IN INCHES UNLESS NOTED TOLERANCES/FINISHES UNLESS OTHERWISE NOTED DECIMALS: xxx ± .02 FRACTIONS: xxx ± .010 ANGLES: ± 2 DRILLED HOLE DIAMETERS + .010/- .01 BREAK ALL SHARP CORNERS AND EDGES CHECK ALL TAPPED HOLES: 1/8" X ONE THREAD DEEP MATERIAL EST. WT. 88 LBS		THIRD ANGLE PROJECTION EST. WT. 88 LBS	
NEXT ASSEMBLY EN CODES CUSTOMER <input type="checkbox"/> VENDOR <input type="checkbox"/> WEB <input type="checkbox"/> APPROVAL CODE <input type="checkbox"/>		USED ON DRAWN: MMM CHECKED: RLC DATE: 6-3-92 SCALE: 1:4 SHEET 1 OF 1 REV E	
IDENTIFICATION CHART MODEL 31000		ELLCON NATIONAL 50 BEECHTREE BLVD. GREENVILLE, S.C. 29605	
DX 31000		1 E	

THIS DOCUMENT AND ITS CONTENTS ARE THE PROPERTY OF ELLCON NATIONAL, INC. AND ALL RIGHTS ARE RESERVED. NO PART OF THIS DOCUMENT IS TO BE REPRODUCED OR TRANSMITTED IN ANY FORM OR BY ANY MEANS, ELECTRONIC OR MECHANICAL, INCLUDING PHOTOCOPYING, RECORDING, OR BY ANY INFORMATION STORAGE AND RETRIEVAL SYSTEM, WITHOUT THE WRITTEN PERMISSION OF ELLCON NATIONAL, INC.