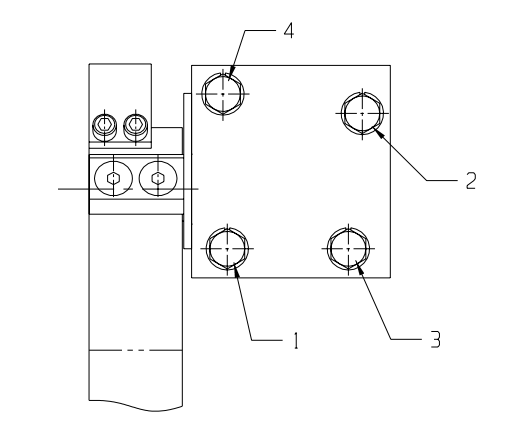
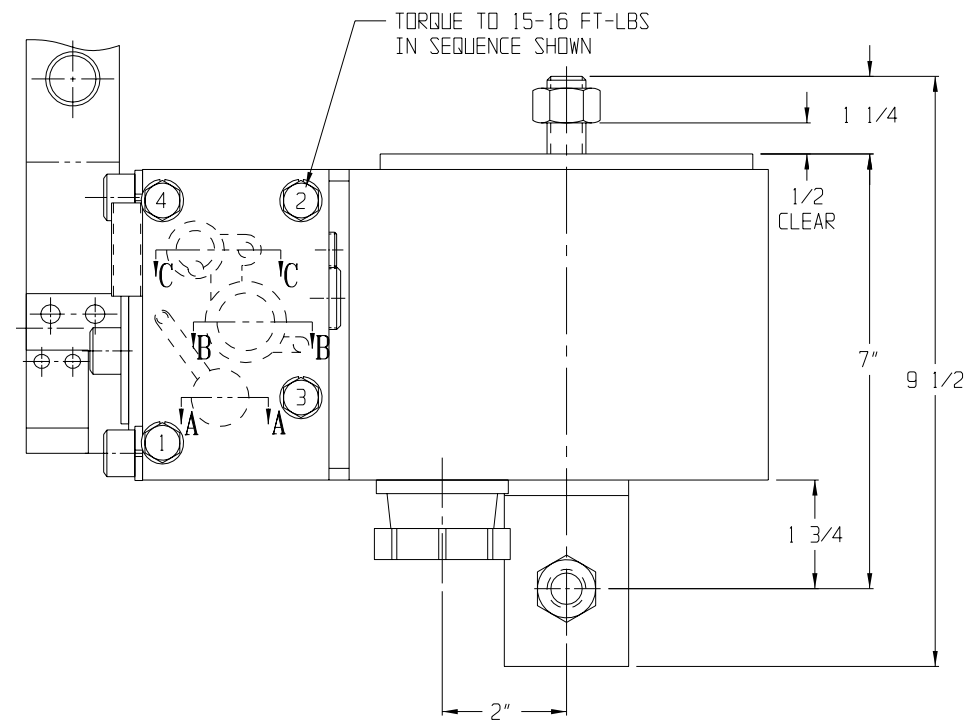
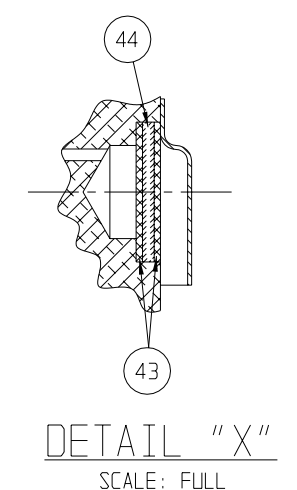
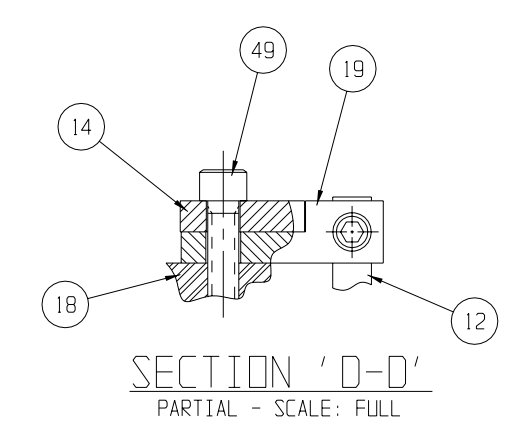
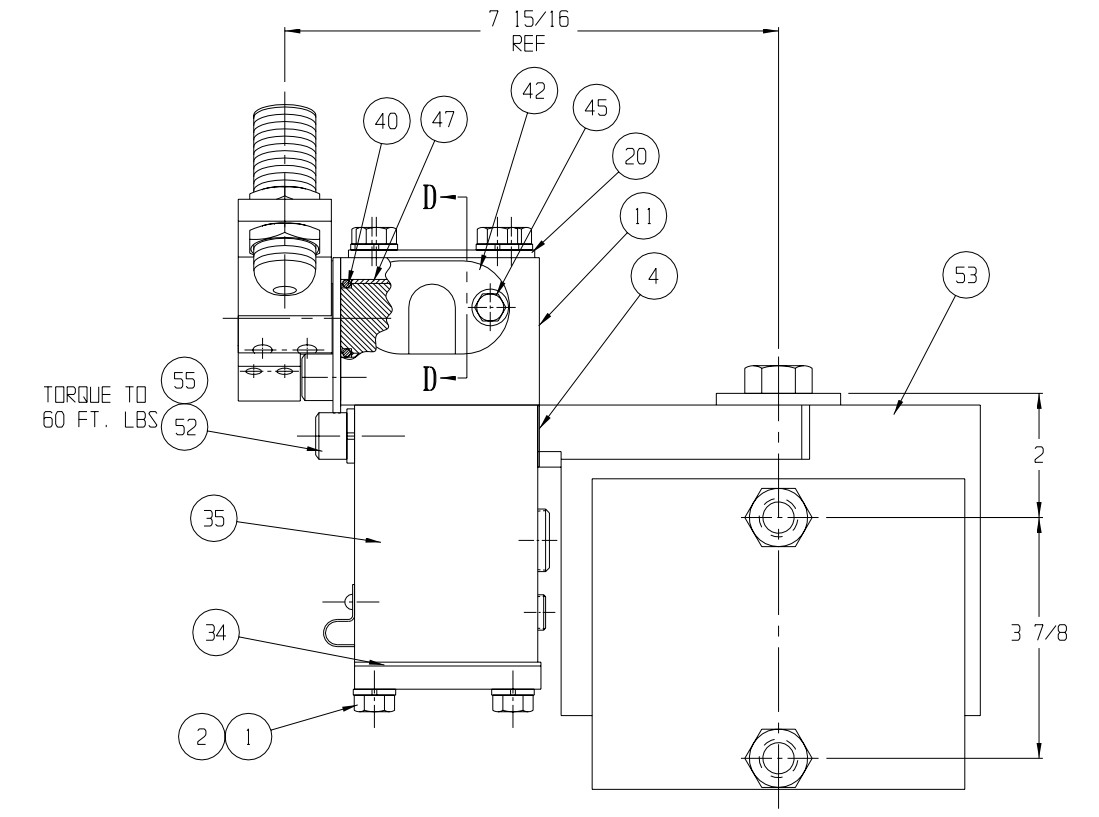
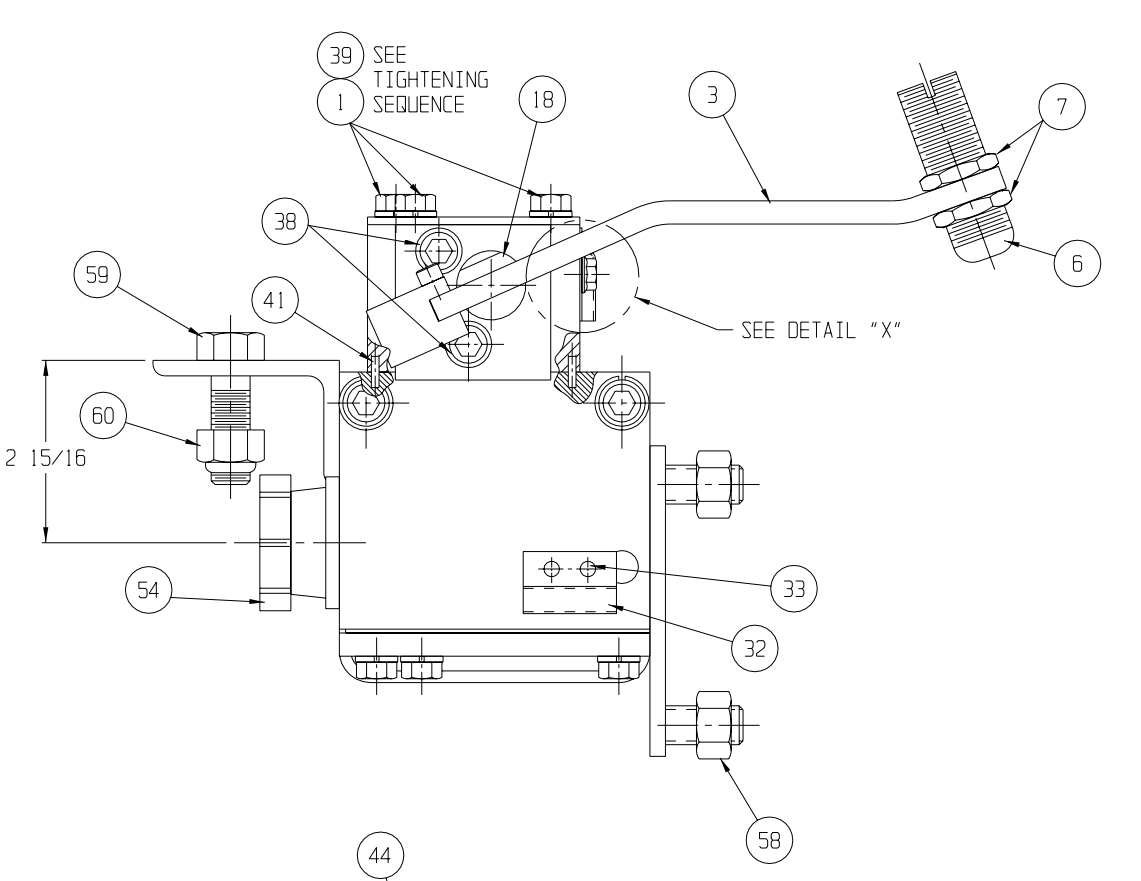


REVISIONS			
LTR	DATE	DESCRIPTION	BY
J	12/14/05	ADDED ITEM 50 SPACER & RENUMBERED BALLBOBS PER EEN 6646	DAC
K	3/29/06	PICTORIALLY REV'D CHECK VALVE (IN ITEM 28) TO SHOW NEW STYLE PER EEN 6647	DAC

1	4493-17	ESNA NUT	60
1	3442-77	HEX SCREW	59
2	3443-1	HEX NUT	58
2	4087-26	PLASTIC PROTECTOR CAP	57
2	32263	FILTER WASHER (SHIP LOOSE)	56
2	3296-36	SOCKET HEAD CAP SCREW	55
1	33020	INDICATOR ASS'Y	54
1	34353	MOUNTING WELDMENT	53
2	3391-29	LOCKWASHER	52
1	9356	NAMEPLATE	51
1	31098-1	SPACER	50
2	3296-38	CAP SCREW	49
1	31815	COUNTERWEIGHT - ARM	48
2	31804	BEARING	47
1	31803	BEARING SIDE COVER PLATE	46
2	3978-1	SCREW	45
1	9323	FELT	44
2	9324	SCREEN	43
1	31564	VENT PLATE	42
2	3297-40	ROLL PIN	41
1	3918-53	O-RING	40
4	3442-143	HEX SCREW	39
2	3296-20	CAP SCREW	38
2	3296-19	CAP SCREW	37
1	3918-91	O RING	36
1	31191	VALVE BODY	35
1	31174	BOTTOM GASKET	34
2	3338-1	RIVET	33
1	31189	COVER	32
1	30848	SPRING	31
1	31674	SPOOL ASS'Y	30
2	4086-28	PIPE PLUG	29
1	30679	PROPORTIONAL SPOOL ASS'Y	28
1	30729	SPRING	27
1	3958-33	WASHER	26
1	31714	SPRING	25
1	5340-6	SHOULDER SCREW	24
1	31673	SPOOL ASS'Y	23
1	3958-37	WASHER	22
1	3918-54	O-RING	21
1	31665	TOP CAP	20
1	31662	HINGE	19
1	31655	SHAFT	18
2	3408-10	SHOULDER SCREW	17
1	31091	PISTON	16
1	3919-90	O-RING	15
1	31657-1	SPACER	14
1	31652	SLEEVE	13
1	30670	LINK	12
1	31654	TOP HOUSING	11
1	31173	BOTTOM CAP	10
1	4086-25	PIPE PLUG	9
1	4086-29	PIPE PLUG	8
2	30843	JAM NUT	7
1	30844	CONTACT SCREW	6
2	8137-22	CAP SCREW	5
1	30698	SIDE GASKET	4
1	31632	ARM	3
4	3442-133	HEX SCREW	2
8	3391-11	LOCKWASHER	1
1	34414	VALVE ASS'Y	
1	6000-6D	MODEL 6000-6D E/L ASS'Y	



TIGHTENING SEQUENCE
FIRST DRAW ALL SCREWS DOWN SNUG. THEN TORQUE TO 20-25 FT. LBS. USING SEQUENCE SHOWN ABOVE.



- NOTES:
1. APPLY "PERMATEX ULTRA BLUE SILICONE GASKET SEALANT ITEM 81724" ON THREADS OF ITEMS 8, 9, 29 AND WHERE ITEM 20 CONTACTS ITEM 11.
 2. APPLY BLUE TYPE LOCTITE TO THREADS OF ITEMS 2, 39, 17 AND 5.
 3. APPLY RED TYPE LOCTITE TO THREADS OF ITEMS 24 AND 38.
 4. APPLY SILICONE BASE GREASE (SANDEN INDUSTRIES SIL-O-LUBE OR PARKER SUPER-O-LUBE) TO ITEM 11 WHERE THERE IS CONTACT WITH ITEM 18, TO ITEM 17 WHERE IT CONTACTS ITEM 12 - TWO PLACES.
 5. ASS'Y TO BE COATED WITH A BLACK, WATER REDUCIBLE PRIMER.
 - * 6. THESE ITEMS MAKE UP SPARE PART 35025 SENSOR ARM ASSY

THIS DOCUMENT AND ITS CONTENTS CONTAIN CONFIDENTIAL AND PROPRIETARY INFORMATION OWNED BY ELLCON-NATIONAL, INC. AND IT AND ALL COPIES THEREOF ARE TO BE RETURNED TO ELLCON-NATIONAL, INC. AND IT AND ALL COPIES THEREOF OR ANY PART THEREOF SHALL NOT BE REPRODUCED, COPIED, OR TRANSMITTED ELECTRONICALLY. THE INFORMATION CONTAINED HEREIN SHALL NOT BE DISCLOSED BY THE RECIPIENT TO OTHERS OR USED BY RECIPIENT WITHOUT THE PRIOR WRITTEN CONSENT SPECIFIC TO EACH CASE. ELLCON-NATIONAL, INC.

FOR USE ON TRINITY CAR SLOAN ELD REPLACEMENT FOR MODEL PEP VALVE

ELLCON NATIONAL
 50 BEECHTREE BLVD. GREENVILLE, S.C. 29605
MODEL 6000-6D ASS'Y
E/L BRAKE VALVE
 SCALE 6"=1'-0" DATE 7-14-99 REV. K
 DRAWN AKH CHECKED D-6000-6D