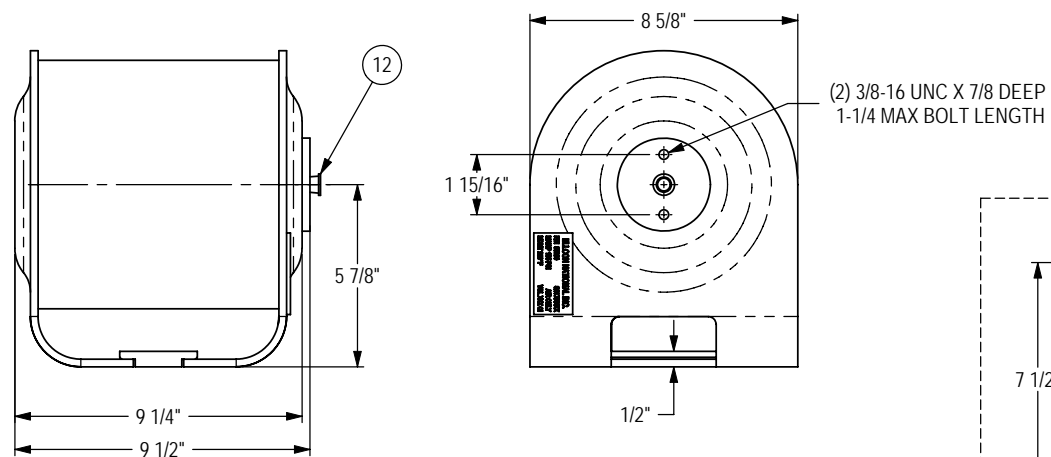


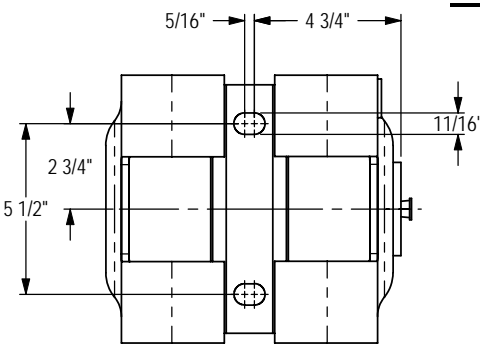
NOTES:

1. VALVE ASSEMBLY AND RESERVIOR TO BE COATED WITH A BLACK, WATER REDUCIBLE PRIMER.
2. CUSTOMER TO REMOVE ALL (4) PLASTIC PROTECTORS, AND TAPE ON BOTTOM OF SIDE CAP, AFTER CAR BLASTING AND BEFORE AIR TESTING.
3. ALL DIMENSIONS ARE NOMINAL AND ARE FOR REFERENCE ONLY.
4. FOR 4.5" ADJUSTING SCREW ADD "-S" TO PART NUMBER.



**PART NO. 35290 VOLUME RESERVOIR**  
**350 CU.IN. EST. WT = 10.0 LBS**

SCALE: 1:4



**PART NO. 35280 VALVE AND PIPE BRACKET ASSEMBLY**

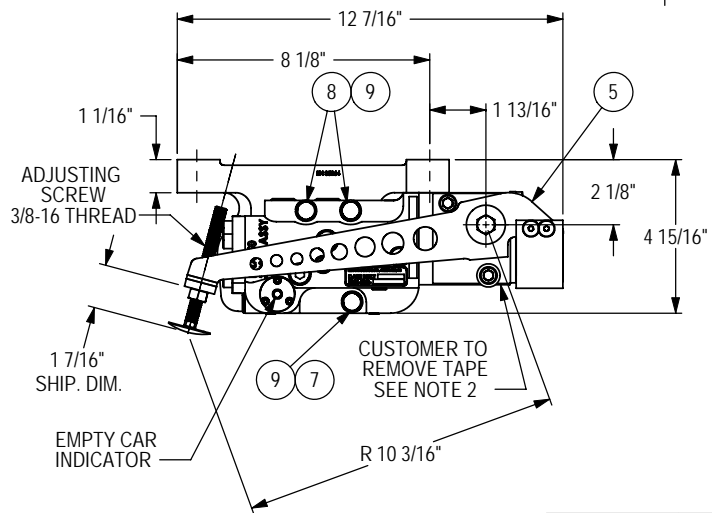
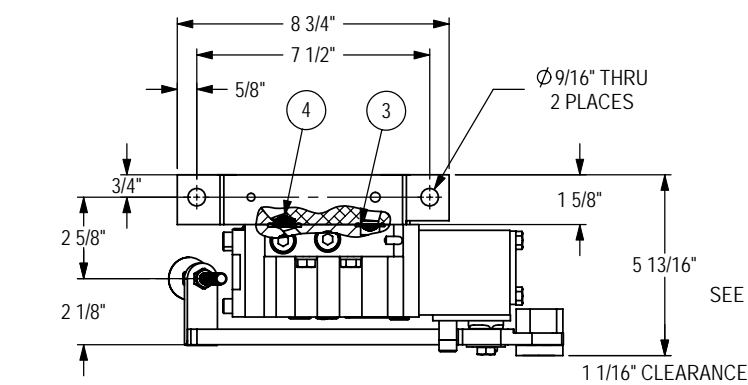
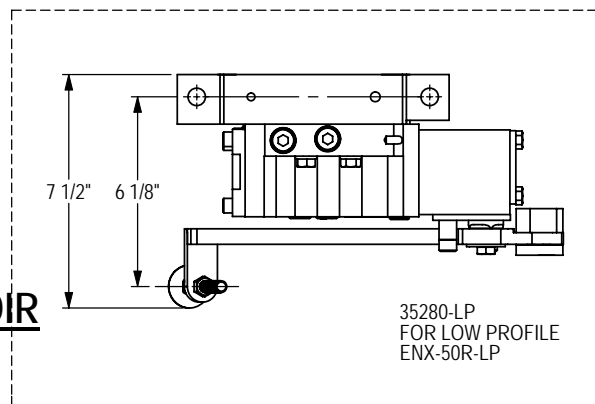
**EST. WT = 13.9 LBS**

REF: C-35240, C-35260

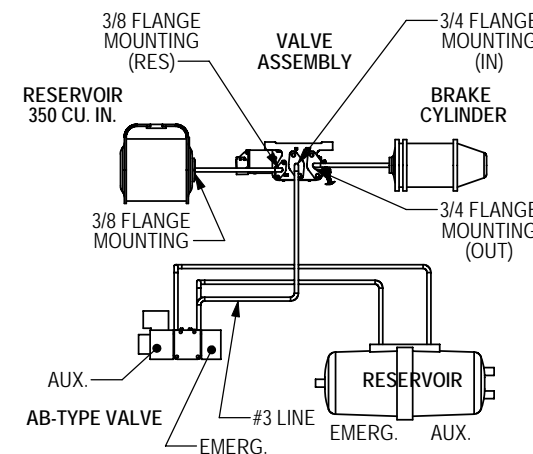
INSTALLATION DRAWINGS: D-35331, D-35331-LP

VALVE AIR VOLUME:  
 LOADED: 4.2 c.i.  
 EMPTY: 5.4 c.i.

SCALE: 1:4



REVISIONS				
ZONE	REV.	DESCRIPTION	DATE	APPROVED
		ISSUED PER ECN 7036		
	A	ADDED REAR VIEW OF VALVE ASSY, BOM, & PIPING SCHEMATIC PER ECN 7162	8/14/2006	RAL
	B	CHANGED DIM FROM MOUNTING HOLES TO SENSOR SCREW FROM 2 5/16 TO 2 5/8; ADDED 2 1/8 DIM TO ARM EDGE; (C-9) ADDED BRACKET FLANGE THICKNESS, 1 1/16; (B-7) ADDED OPT. PRESSURE TAP NOTE; (B-7) REMOVED 'REF' FROM SCREW LENGTH (SEE NOTE 3); (D-5) ADDED CLEARANCE DIM; PER ECN 7590	2/13/2007	SDM
	C	ADJUSTING SCREW 34999 BROKEN OUT ON BILL; PIPE FLANGE CENTERS DIMENSIONED TO BRACKET MOUNTING HOLE PER ECN 7696	3/23/2007	SDM
	D	ADDED TABLE OF PART NUMBERS FOR LOW-PROFILE AND BCRD OPTIONS; ADDED NOTE 4; PER ECN 7779	5/7/2007	SDM
	E	ADDED VALVE AIR VOLUMES; CHANGED PLASTIC PROTECTOR FROM 4087-48 TO 4087-51; PER ECN 7909	7/12/2007	SDM
	F	ADDED -F SUBASSEMBLIES TO PART NUMBER TABLES; MOVED P/N 34625 UNDER THESE SUBASSEMBLIES; PER ECN8147	11/19/2007	SDM



**MODEL ENX-50R EMPTY / LOAD VALVE INSTALLATION**

SCALE: NONE

QTY	PART NO.	DESCRIPTION	ITEM				
1	1	1	1	4087-31	PLASTIC PROTECTOR (FOR SHIPPING)	12	
1	1	1	1	35290	VOLUME RESERVOIR	X	
1	1	1	1	4087-51	PLASTIC PROTECTOR (FOR SHIPPING)	11	
2	2	2	2	4087-49	PLASTIC PROTECTOR (FOR SHIPPING)	10	
3	3	3	3	3391-11	LOCK WASHER	9	
2	2	2	2	3442-183	HEX BOLT	8	
1	1	1	1	3442-51	HEX BOLT	7	
1	1	1	1	34999	SCREW, ADJUSTING, 4", WD HEAD	6	
1	1	1	1	35420	SENSOR ARM ASSEMBLY	5	
1	1	1	1	35310	SENSOR ARM ASSEMBLY	5	
				1	34625	QUICK DISCONNECT ASY (MALE)	-
2	2	2	2	35263	FILTER WASHER	4	
1	1	1	1	32263	FILTER WASHER	3	
				1	35270-LPF	VALVE ASSEMBLY	2
				1	35270-F	VALVE ASSEMBLY	2
				1	35270-LP	VALVE ASSEMBLY	2
1	1	1	1	35270	VALVE ASSEMBLY	2	
1	1	1	1	35264	PIPE BRACKET	1	
				1	35280-LPF	VALVE & PIPE BRACKET ASSEMBLY	X
				1	35280-F	VALVE & PIPE BRACKET ASSEMBLY	X
				1	35280-LP	VALVE & PIPE BRACKET ASSEMBLY	X
1				35280	VALVE & PIPE BRACKET ASSEMBLY	X	
ENX-50R					EMPTY LOAD DEVICE	X	

INTERPRET DRAWING IN ACCORDANCE WITH ASME Y14.5  
 THIRD ANGLE PROJECTION  
 ALL DIMENSIONS ARE IN INCHES UNLESS NOTED  
 TOLERANCES/FINISHES UNLESS OTHERWISE NOTED  
 DECIMALS .XX ±  
 DECIMALS .XXX ±  
 FRACTIONS ±  
 ANGLES ±  
 MACHINED SURFACES 12.5  
 DRILLED HOLE DIAMETERS +.010/-01  
 BREAK ALL SHARP CORNERS AND EDGES  
 C/SK ALL TAPPED HOLES 118° X ONE THREAD DEEP  
 MATERIAL  
 EST. WT: LBS

ELLCON NATIONAL  
 50 BEECHTREE BLVD.  
 GREENVILLE, S.C. 29605

**ENX-50R E/L DEVICE (50% MODEL)**

DRAWN: D.CARROLL CHECKED: DMS DATE: 2/24/2006 SCALE: NOTED

SIZE: C DWG NO: 35250 REV: F

THIS DOCUMENT AND ITS CONTENTS CONTAIN CONFIDENTIAL AND PROPRIETARY INFORMATION OWNED BY ELLCON NATIONAL INC. AND IT AND ALL COPIES THEREOF ARE TO BE RETURNED TO ELLCON NATIONAL WHEN SO REQUESTED. THIS DOCUMENT OR ANY PART THEREOF SHALL NOT BE REPRODUCED, COPIED, OR TRANSMITTED ELECTRONICALLY. THE INFORMATION CONTAINED HEREIN SHALL NOT BE DISCLOSED BY THE RECIPIENT TO OTHERS OR USED BY THE RECIPIENT WITHOUT THE PRIOR WRITTEN CONSENT SPECIFIC TO EACH CASE. ELLCON NATIONAL INC.