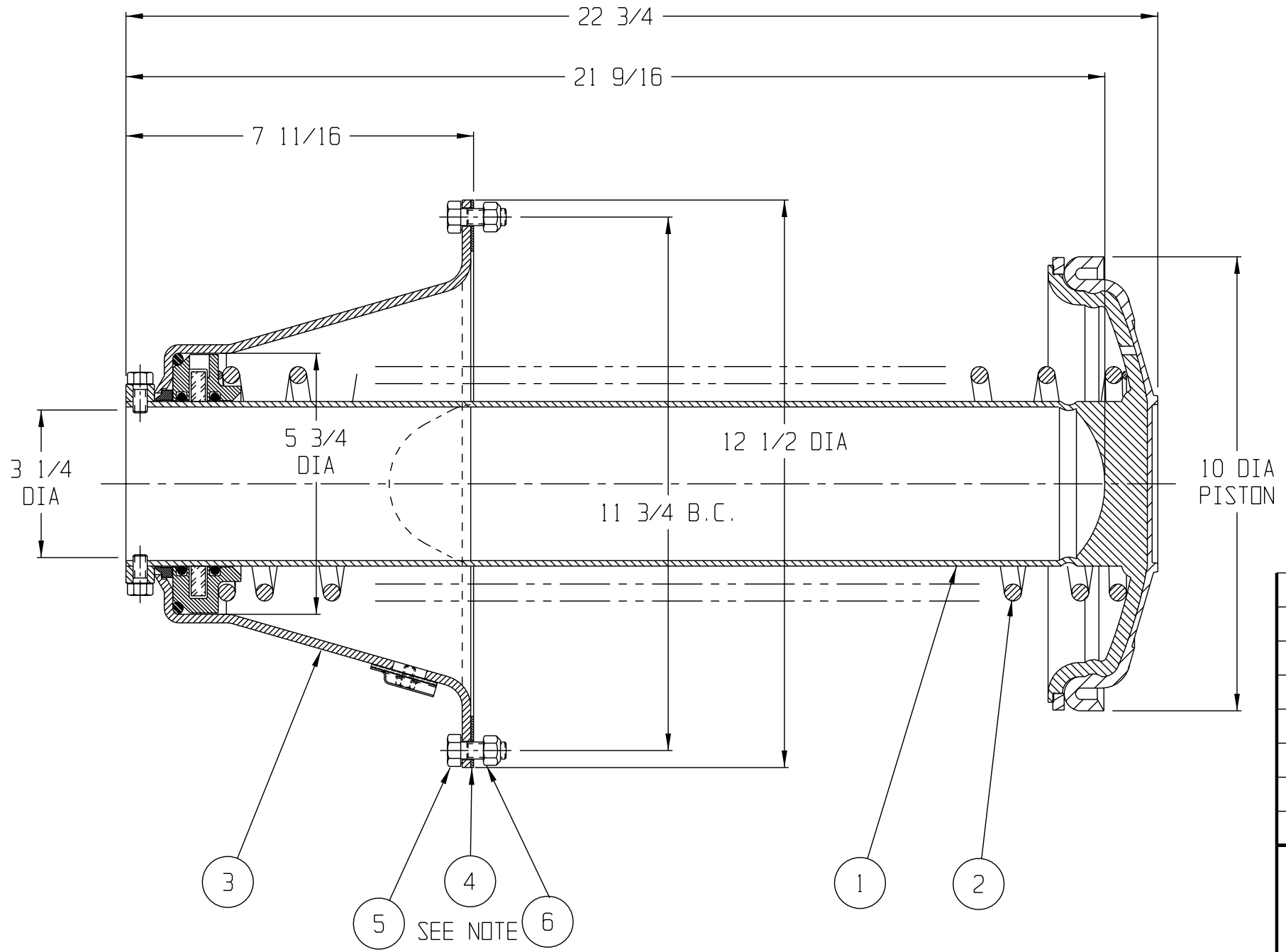


NOTE: SHIP ITEM 4, 5 AND 6 LOOSE

REVISIONS			
LTR	DATE	DESCRIPTION	BY
A	6/05/03	CHANGED PICTURE OF ITEM 3. ADDED ITEM 4,5 AND 6. PER ECN #5012	PS
B	11/06/08	ITEM 5 WAS P/N 3442-51. PER ECN #9003	PS



8	31076-4	STOVER LOCKNUT 3/8-16	6
8	3442-204	BOLT 3/8-16 1" LG	5
1	33478	GASKET	4
1	33670	NON-PRESSURE HEAD ASSY	3
1	33046	SPRING	2
1	33044	PISTON ASSEMBLY	1
QTY	PART NO	DESCRIPTION	ITEM

BILL OF MATERIAL

ELLCON  NATIONAL  
 50 BEECHTREE BLVD. GREENVILLE, S.C. 29605

NON-PRESSURIZED HEAD/  
 HOLLOW ROD/ SPRING/  
 10" PISTON ASSY

C-33050	
C-33490	10 ABU
NEXT ASS'Y	USED ON

THIS DOCUMENT AND ITS CONTENTS CONTAIN CONFIDENTIAL AND PROPRIETARY INFORMATION OWNED BY ELLCON-NATIONAL, INC. AND IT AND ALL COPIES THEREOF ARE TO BE RETURNED TO ELLCON-NATIONAL WHEN SO REQUESTED. THIS DOCUMENT OR ANY PART THEREOF SHALL NOT BE REPRODUCED, COPIED, OR TRANSMITTED ELECTRONICALLY. THE INFORMATION CONTAINED HEREIN SHALL NOT BE DISCLOSED BY THE RECIPIENT TO OTHERS OR USED BY RECIPIENT WITHOUT THE PRIOR WRITTEN CONSENT SPECIFIC TO EACH CASE. ELLCON-NATIONAL, INC.

SCALE	1/3	DATE	7/30/98	REV.	
DRAWN	PS	B-34086		B	
CHECKED	P.SOPT				