

THIS HAND BRAKE DOES NOT MEET APTA SS-M-006 STANDARD FOR PARKING BRAKES FOR NEW RAIL PASSANGER, AND LOCOMOTIVE CARS.  
OR APTA-SS-M-016 STANDARD SAFETY APPLICATIONS FOR RAIL PASSANGER CARS.  
FOR NEW BRAKES THAT DO MEET THESE STANDARDS REFER TO DRAWING D-35526.

REV	DATE	DESCRIPTION	ECN	BY
R	08-14-2008	REDRAWN IN SOLIDWORKS. CHANGED DRAWING SIZE TO "D". ADDED STANDARDS NOTE, & DRILLING DIAGRAM	8775	RAL

**GENERAL DATA**

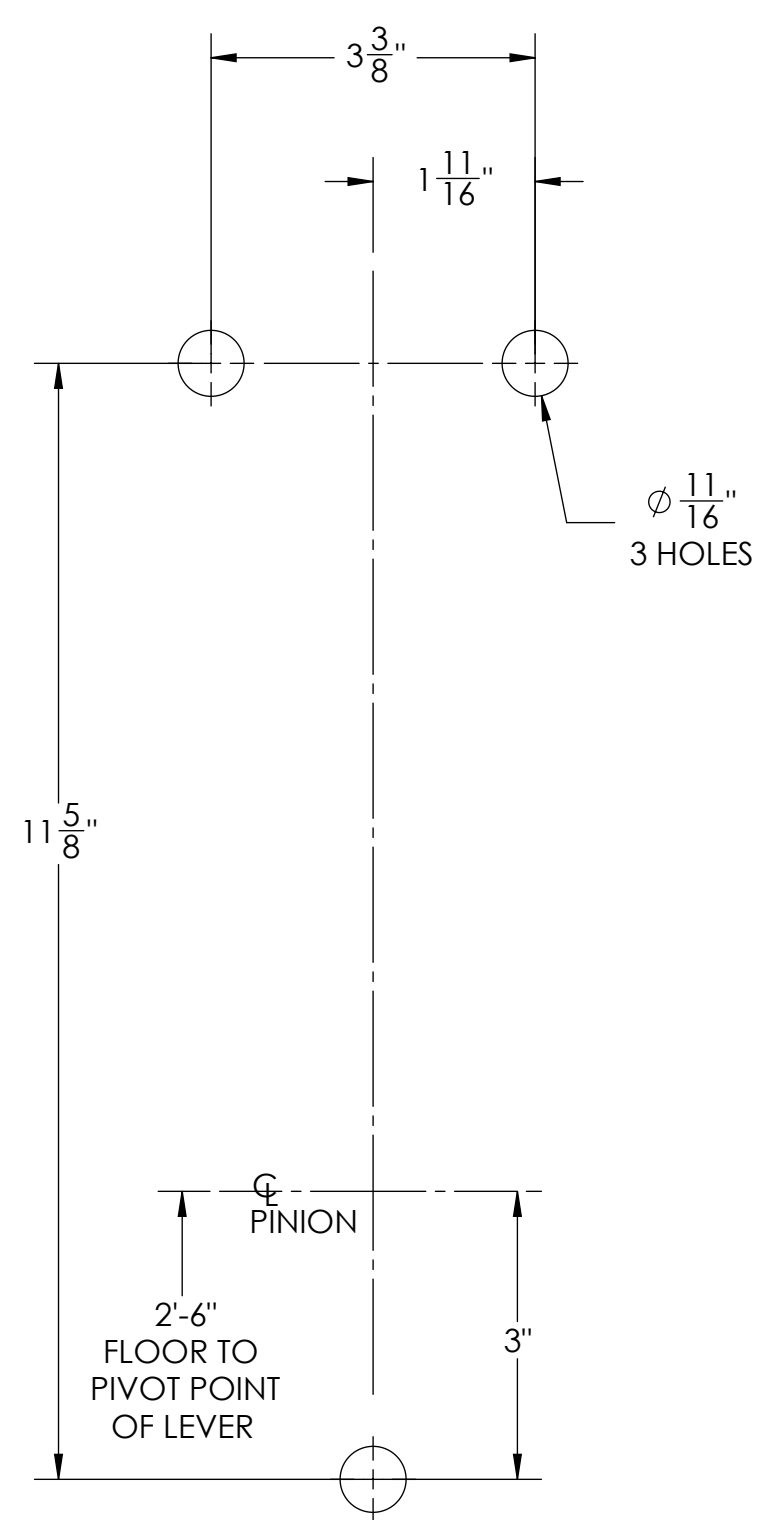
MADE IN MALLEABLE IRON AND STEEL CONSTRUCTION WITH BLACK PRIMER FINISH.  
WEIGHT: 75 ± 5 LBS.  
GEAR RATIO: 5:1  
CHAIN TRAVEL: UNLIMITED  
FORCE PRODUCED WITH 125 LBS. ON HAND LEVER:  
3000# WITH 16" HAND LEVER  
3300# WITH 18" HAND LEVER  
3600# WITH 20" HAND LEVER  
3890# WITH 22" HAND LEVER  
4180# WITH 24" HAND LEVER

BRAKE RIGGING TO BE EQUIPPED WITH A SUITABLE RETURN SPRING IN ORDER TO EFFECT A FULL RELEASE OF HAND BRAKE.

FOR LUBRICATION CHART SEE DWG C-33962

- NOTES:
- TOLERANCES UNLESS NOTED  
(A) DIMENSIONS MARKED WITH \* ASTERISK ARE ± 1/32  
(B) DIMENSIONS MARKED WITH \*\* ASTERISK ARE ± 1/16
  - TOLERANCES ARE NON-CUMULATIVE
  - IF ANY DIMENSIONS ARE CRITICAL TO THE INSTALLATION, CONTACT ELLCON-NATIONAL ENGINEERING DEPT.

QTY	PART NO	DESCRIPTION	ITEM
1	4224	MODEL PLATE	41
1	31818	WARNING LABEL	40
1	1091-A	JOINER	39
1	18	END LINK	38
2	3442-10	SCREW 3/8-16 X 7/8 HX HD	37
1	1076	ADJUSTING SCREW	36
1	703	SCREW, 1/4-20 X 1/2 HX. HD. CAP	35
4	889	WASHER, LOCKING 3/8 INT. TOOTH	34
2	998-A	SCREW, 3/8-16 X 1" HX. HD. CAP	33
3	1086	WASHER, LOCKING 1/4 INT. TOOTH	32
2	1096	HOUSING COVER SCREW	31
6	3338	RIVET, 1/8 CLOSED END	30
1	939	CHAIN GUIDE	29
1	825-A	CHAIN SNUBBER WEIGHT PIN	28
1	823-A	SNUBBER WEIGHT	27
1	941-A	CHAIN SNUBBER	26
1	788	CHAIN 1/2" 14,000# PT. X 8'-0" OA	25
1	1747	RETAINER	24
2	1098	RETAINER	23
1	821	RATCHET	22
1	817	HAND LEVER PAWL SPRING	21
1	816-A	HEADED SHAFT	20
1	815	HAND LEVER PAWL	19
1	1853-	HAND LEVER 16", 18", 20", 22", 24"	18
2	819-C	SHAFT	17
1	1141	TRIP LEVER	16
1	1035	TRIP LEVER SPRING	15
1	1149	SPRING	14
1	3002	HOLDING PAWL PIN	13
1	1383	ROLL PIN	12
1	1152-A	SPINDLE	11
1	1146	HOLDING PAWL	10
1	805-L	RATCHET	9
1	804	PINION SHAFT	8
1	803-C	CHAIN GEAR SHAFT	7
2	611-A	BEARING	6
1	4918	CHAIN DRUM	5
1	1097-L	COVER	4
1	74-CX	BEARING	3
1	74-AY	BEARING	2
1	801-EL	HOUSING	1



DRILLING DIAGRAM

INTERPRET DRAWING IN ACCORDANCE WITH ASME Y14.5	THIRD ANGLE PROJECTION
ALL DIMENSIONS ARE IN INCHES UNLESS NOTED	TOLERANCES/FINISHES UNLESS OTHERWISE NOTED
DECIMALS: xx ±	FRACTIONS: xxx ±
ANGLES: °	MACHINED SURFACES
DRILLED HOLE DIAMETERS + 0.010/-0.01	BREAK ALL SHARP CORNERS AND EDGES
CHAMFER ALL TAPPED HOLES 1:16 X ONE THREAD DEEP	MATERIAL
EST. WT. LBS	

**ELLCON NATIONAL**  
50 BEECHTREE BLVD. GREENVILLE, S.C. 29605

**800-LG BRAKE (LEFT HAND TYPE)**

SCALE: 1:2  
DATE: 1-17-84  
SHEET 1 OF 1

DRAWN: R  
CHECKED: R  
DATE: 1-17-84  
SCALE: 1:2

REV: D  
DWG NO: 2396  
REV: R