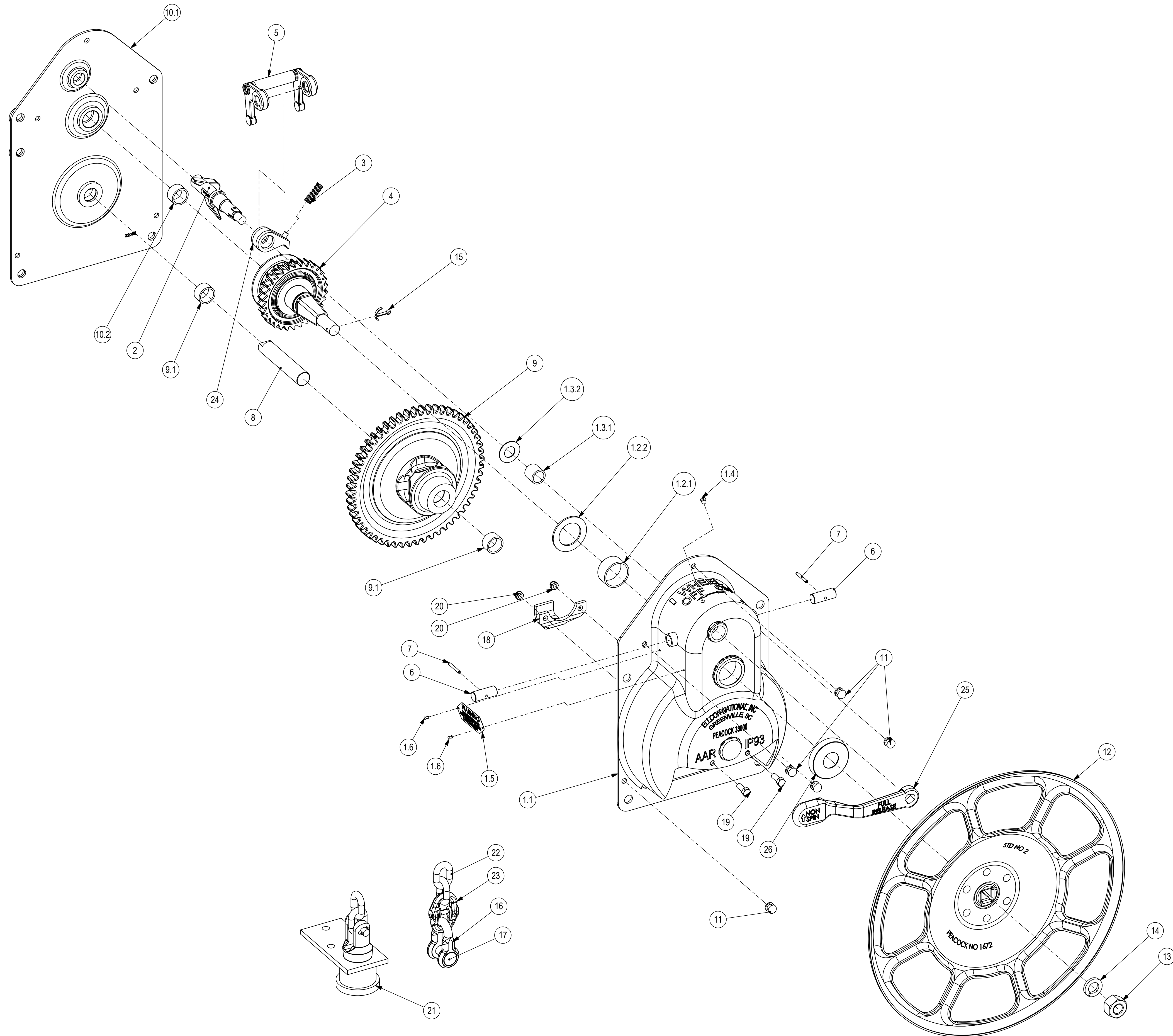


| REVISIONS | | | |
|-----------|------------|----------------------|----------|
| REV | DATE | DESCRIPTION | ECN BY |
| E | 04-23-2008 | REDRAWN, ADDED 34562 | 8260 MMM |



SEE DWG D-33000 FOR ASSEMBLY OF PARTS

| ITEM NO. | PART No. | DESCRIPTION | QTY. |
|----------|----------|---------------------------------|------|
| 26 | 34562 | RUBBER DEFLECTOR | 1 |
| 25 | 32275 | TRIP LEVER | 1 |
| 24 | 4092 | HOLDING PAWL | 1 |
| 23 | 32234 | COUPLING LINK | 1 |
| 22 | 32157 | CHAIN | 1 |
| 21 | 7360 | SHOCK RETARDER | 1 |
| 20 | 4493-8 | NUT | 2 |
| 19 | 998-A | SCREW - 3/8-16 X 1 | 2 |
| 18 | 30693 | PRESSED STRIPPER | 1 |
| 17 | 240 | RIVET | 1 |
| 16 | 458 | CLEVIS | 1 |
| 15 | 4034-9 | COTTER PIN | 1 |
| 14 | 242 | LOCK WASHER | 1 |
| 13 | 241 | NUT | 1 |
| 12 | 1672 | HAND WHEEL | 1 |
| 11 | 454 | RIVET | 5 |
| 10.2 | 32071 | BEARING | 1 |
| 10.1 | 32058 | BACK PLATE | 1 |
| 10 | 32102 | BACKPLATE ASSEMBLY | 1 |
| 9.1 | 32071 | BEARING | 2 |
| 9 | 32172 | CHAIN GEAR | 1 |
| 8 | 32069 | GEAR SHAFT | 1 |
| 7 | 1664 | ROLL PIN | 2 |
| 6 | 9236 | YOKE SHAFT | 2 |
| 5 | 4622 | YOKE ASSEMBLY | 1 |
| 4 | 32082 | PINION ASSEMBLY | 1 |
| 3 | 32075 | PAWL SPRING | 1 |
| 2 | 9143 | CAM SHAFT | 1 |
| 1.6 | 3338-1 | RIVET | 2 |
| 1.5 | 31818 | WARNING LABEL | 1 |
| 1.4 | 5892 | OIL CUP | 1 |
| 1.3.2 | 32231-3 | FRONT PAWL SHAFT THRUST BEARING | 1 |
| 1.3.1 | 32231-4 | FRONT PAWL SHAFT BEARING | 1 |
| 1.3 | 32231 | FRONT PAWL SHAFT BEARING | 1 |
| 1.2.2 | 32074-3 | BEARING WASHER | 1 |
| 1.2.1 | 32074-4 | BEARING | 1 |
| 1.2 | 32074 | PINION BEARING | 1 |
| 1.1 | 32072 | HOUSING ASSEMBLY | 1 |
| 1 | 32103 | HOUSING ASSEMBLY | 1 |

BILL OF MATERIAL

| | | | |
|---|------------------------------------|--|-------------------------|
| INTERPRET DRAWING IN ACCORDANCE WITH ASME Y14.5 THIRD ANGLE PROJECTION ALL DIMENSIONS ARE IN INCHES UNLESS NOTED TOLERANCES/FINISHES UNLESS OTHERWISE NOTED DECIMALS .XX ± FRACTIONS XXX ± ANGLES 1/2° DRILLED HOLE DIAMETERS +.010/-01 BREAK ALL SHARP CORNERS AND EDGES CHECK ALL TAPPED HOLES 1/8" X ONE THREAD DEEP MATERIAL EST. WT. LBS | | ELLCON NATIONAL 50 BEECHREE BLVD. GREENVILLE, S.C. 29605 | |
| IDENTIFICATION CHART MODEL 33000 BRAKE | | | |
| NEXT ASSEMBLY EN CODES CUSTOMER | USED ON VENDOR APPROVAL CODE | DRAWN: MMM DWG NO: DX CHECKED: RLC DATE: 6-2-92 SCALE: 1:1 | SHEET: 1 OF 1 REV: E |

THIS DOCUMENT AND ITS CONTENTS ARE CONFIDENTIAL AND PROPRIETARY INFORMATION OWNED BY ELLCONATIONAL, INC. AND IS TO BE RETURNED TO ELLCONATIONAL, INC. AND ALL COPIES THEREOF ARE TO BE RETURNED TO ELLCONATIONAL, INC. UNLESS OTHERWISE NOTED. THE INFORMATION CONTAINED HEREIN IS UNCLASSIFIED. THE INFORMATION CONTAINED HEREIN IS UNCLASSIFIED.