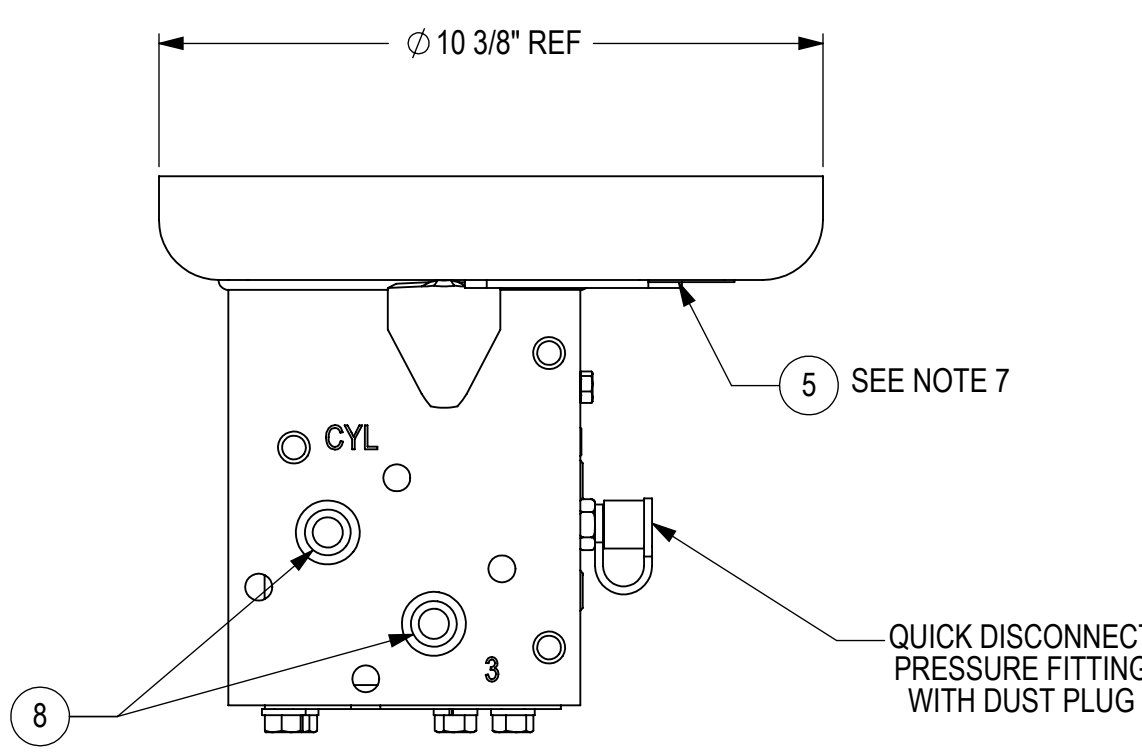
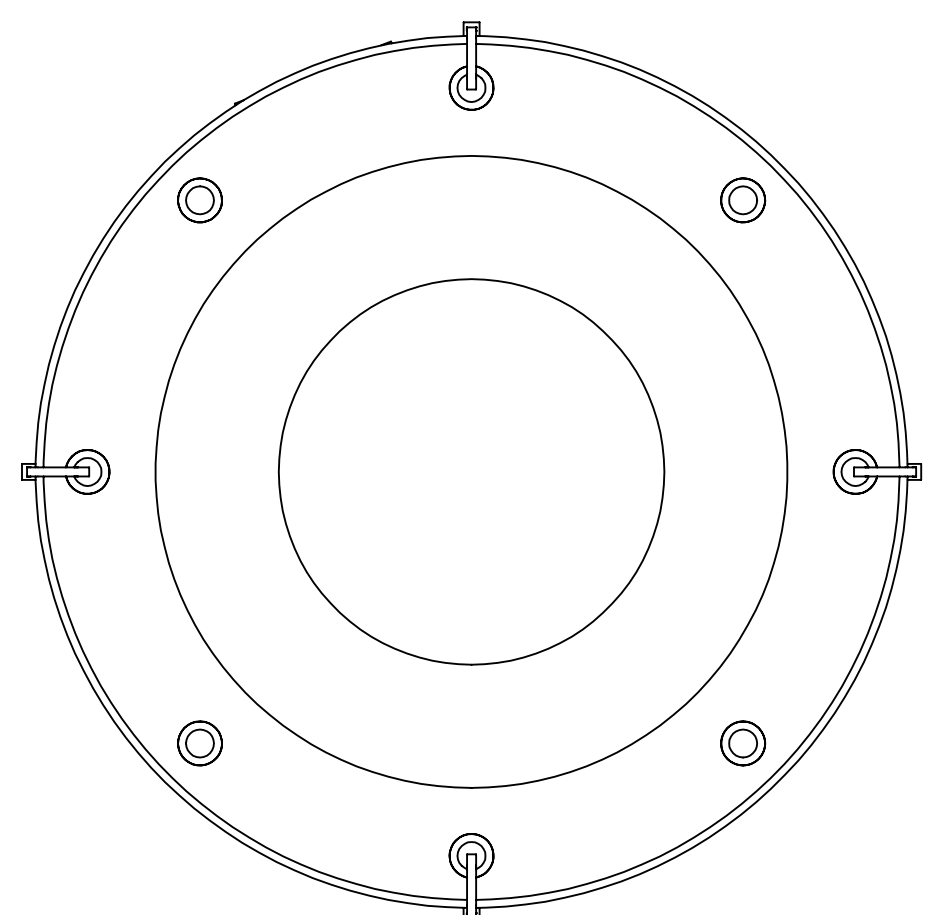
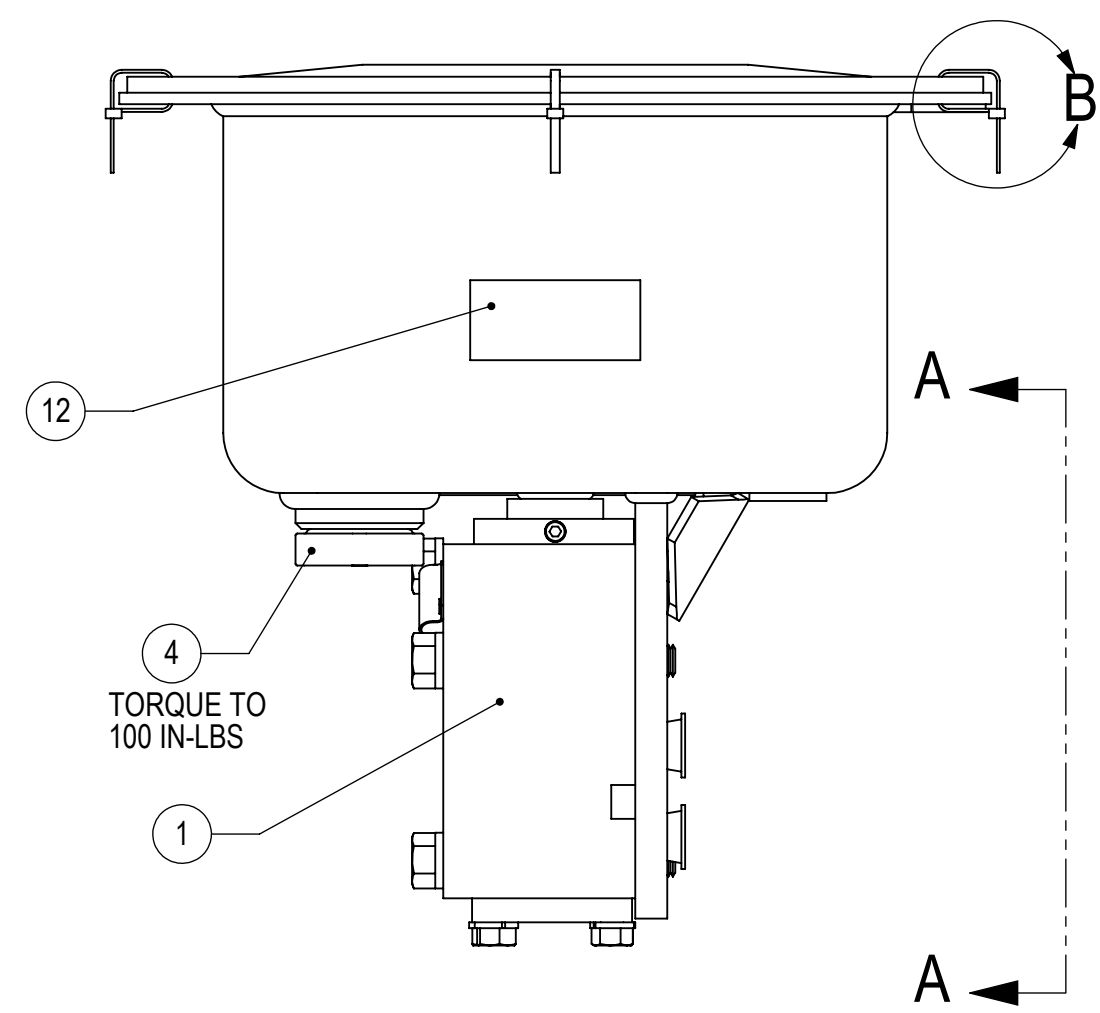
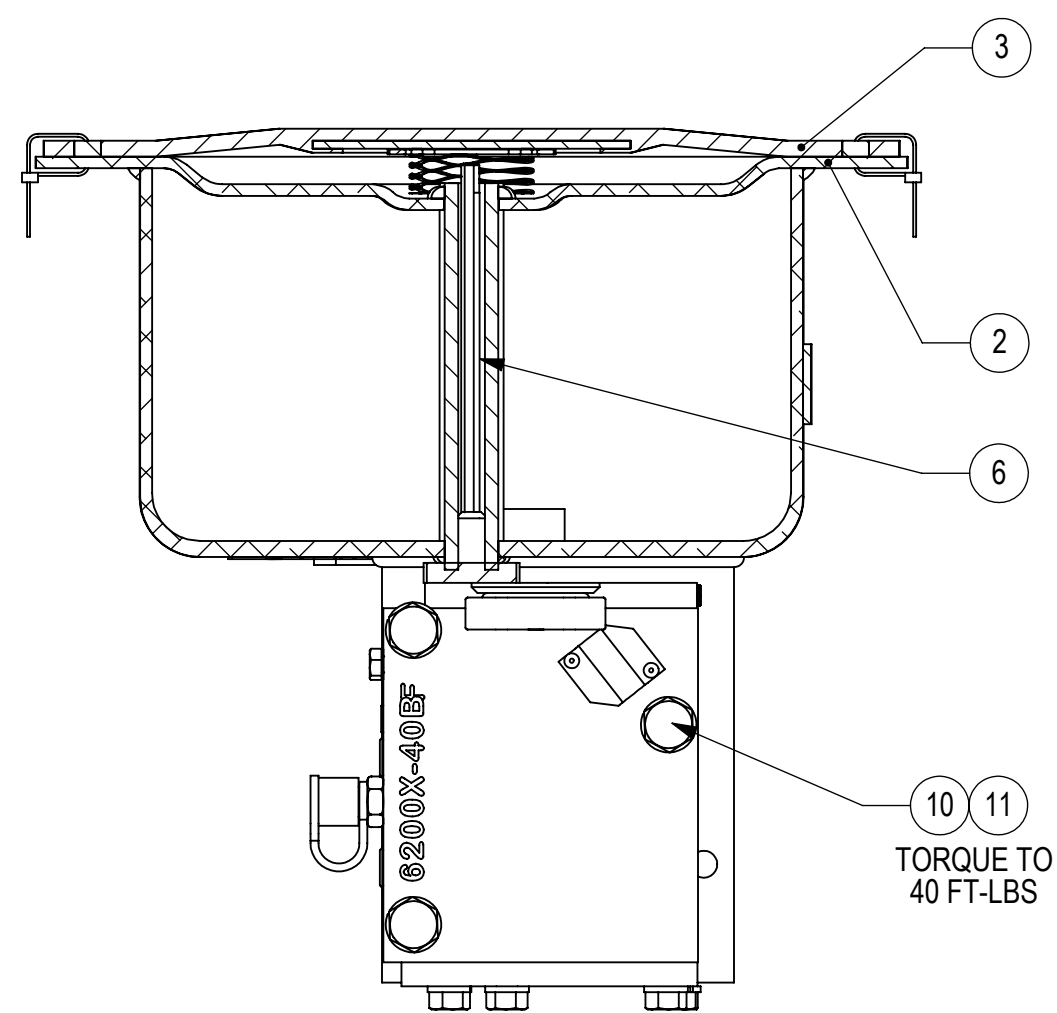


11 10 9 8 7 5 4 3 2 1

REVISIONS			
LTR	DATE	DESCRIPTION	BY
	7/23/03	ISSUED PER ECN 5009	
A	10/30/2003	PICTORIALLY UPDATED FRONT VIEW TO SHOW P/N 6200X-40BF PER ECN 5273	DAC
B	12/14/2005	ADDED NOTES 6 & 7 PER ECN 6654	DAC



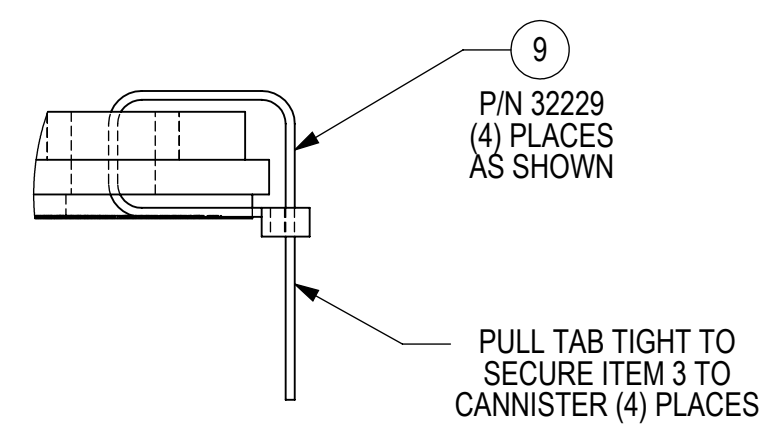
VIEW A-A



- NOTES:
- 1- APPLY BLUE LOCTITE (NO. 242) TO THREADS OF ITEM 9.
 - 2- SEE DRAWING C-34860 FOR OUTLINE DIMENSIONS.
 - 3- "W" SUFFIX INDICATES VALVE WITH FDA APPROVED GASKET.
 - 4- P/N 6200X-40BWF UTILIZES GASKET ASSEMBLY P/N 34714W INSTEAD OF P/N 34714 (ITEM 3).
 - 5- ALL DIMENSIONS ARE NOMINAL.
 6. EXPOSED AREA OF ASSEMBLY TO BE COATED WITH A BLACK, WATER REDUCIBLE PRIMER.
 7. CARBUILDER TO REMOVE PROTECTIVE TAPE FROM NAMEPLATE BEFORE CAR IS SHIPPED.

P/N 6200X-40BF -- STANDARD GASKET & PRESSURE TAP
P/N 6200X-40BWF -- FDA APPROVED GASKET & PRESSURE TAP

PART NO.	QTY	DESCRIPTION	ITEM
35223	3	VOLUME RES. PRESS. PLATE	12
3391-29	3	LOCKWASHER - 1/2" (ZINC PLTD)	11
3442-132	3	H.H.C.S. - 1/2-13 X 3 3/4" (ZINC PLTD)	10
32229	4	SHIPPING TIE	9
4087-26	2	PLASTIC PROTECTOR CAP	8
34871	1	ROD	7
34644	1	ROD	6
31126-10	1	NAMEPLATE	5
33020	1	INDICATOR ASSEMBLY	4
34714	1	GASKET ASSEMBLY	3
34710	1	HOUSING ASSY	2
34690F	1	VALVE ASSEMBLY	1



DETAIL B
SCALE 1:1

REF RD 380

THIS DOCUMENT AND ITS CONTENTS CONTAIN CONFIDENTIAL AND PROPRIETARY INFORMATION OWNED BY ELLCON-NATIONAL, INC. AND IT AND ALL COPIES THEREOF ARE TO BE RETURNED TO ELLCON-NATIONAL WHEN SO REQUESTED. THIS DOCUMENT OR ANY PART THEREOF SHALL NOT BE REPRODUCED, COPIED, OR TRANSMITTED ELECTRONICALLY. THE INFORMATION CONTAINED HEREIN SHALL NOT BE DISCLOSED BY THE RECIPIENT TO OTHERS OR USED BY RECIPIENT WITHOUT THE PRIOR WRITTEN CONSENT SPECIFIC TO EACH CASE. ELLCON-NATIONAL, INC.

LEGEND	
∅ - DIAMETER	▭ - FLATNESS
▽ - DEPTH	// - PARALLELISM
┌ - COUNTERBORE	⊥ - PERPENDICULARITY
∨ - COUNTERSINK	◎ - CONCENTRICITY

MACHINING TOLERANCES AND FINISHES UNLESS OTHERWISE NOTED
 DECIMALS .XX ±
 DECIMALS .XXX ±
 ANGLES ±
 FRACTIONS ±
 DRILLED HOLE DIAMETERS +.010/-001
 BREAK ALL SHARP CORNERS AND EDGES
 CSK ALL TAPPED HOLES 118° x ONE THREAD DEEP
 MACHINED SURFACES 125 ✓

MATERIAL:

ELLCON NATIONAL
 50 BEECHTREE BLVD. GREENVILLE, S.C. 29605

MODEL 6200X-40BF
EMPTY/LOAD DEVICE

SCALE	1:3	DATE	24 JUL 03	REV.	
DRAWN	DAC	C-6200X-40BF	B		
CHECKED	DAC				

11 10 9 8 7 5 4 3 2 1