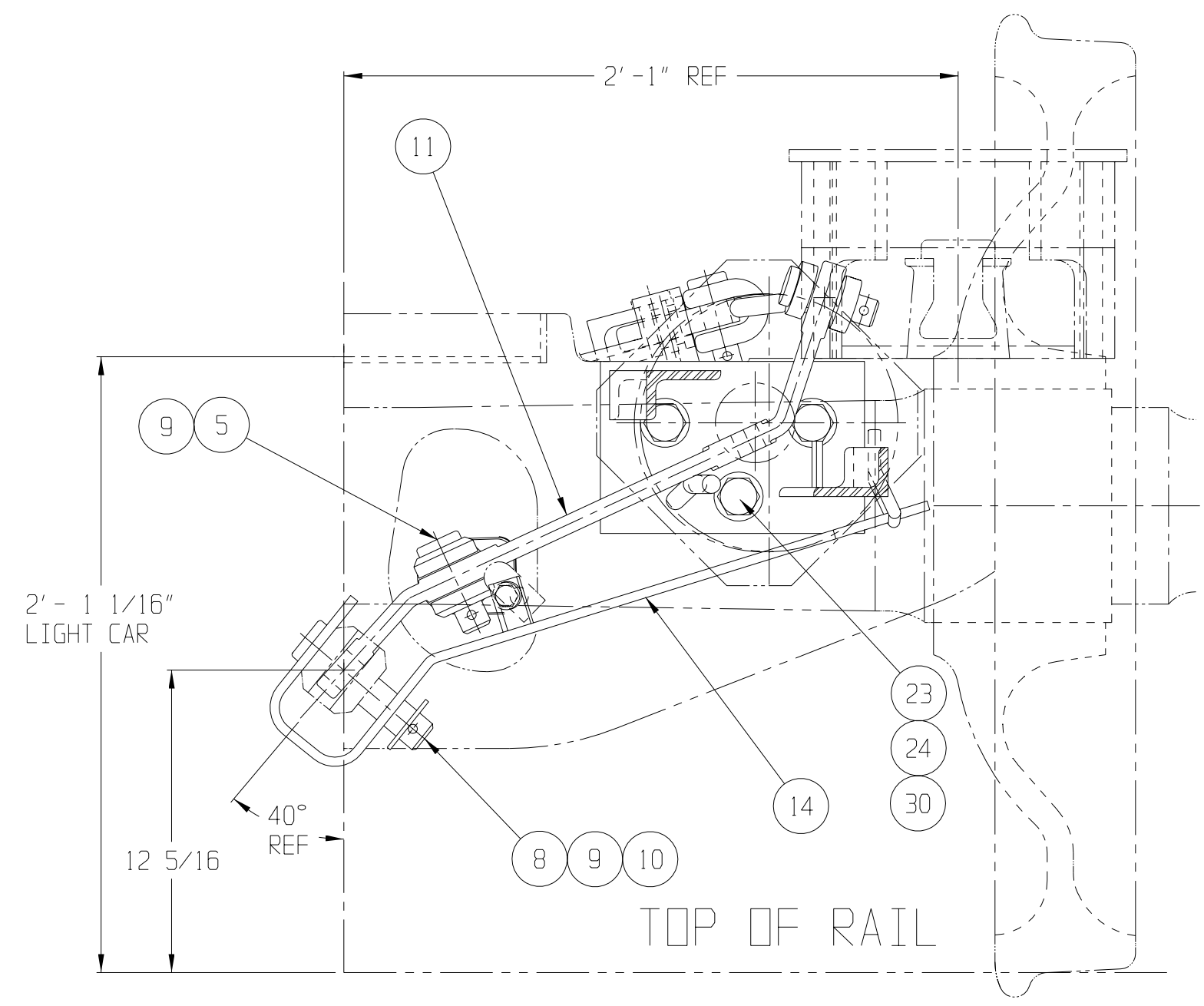
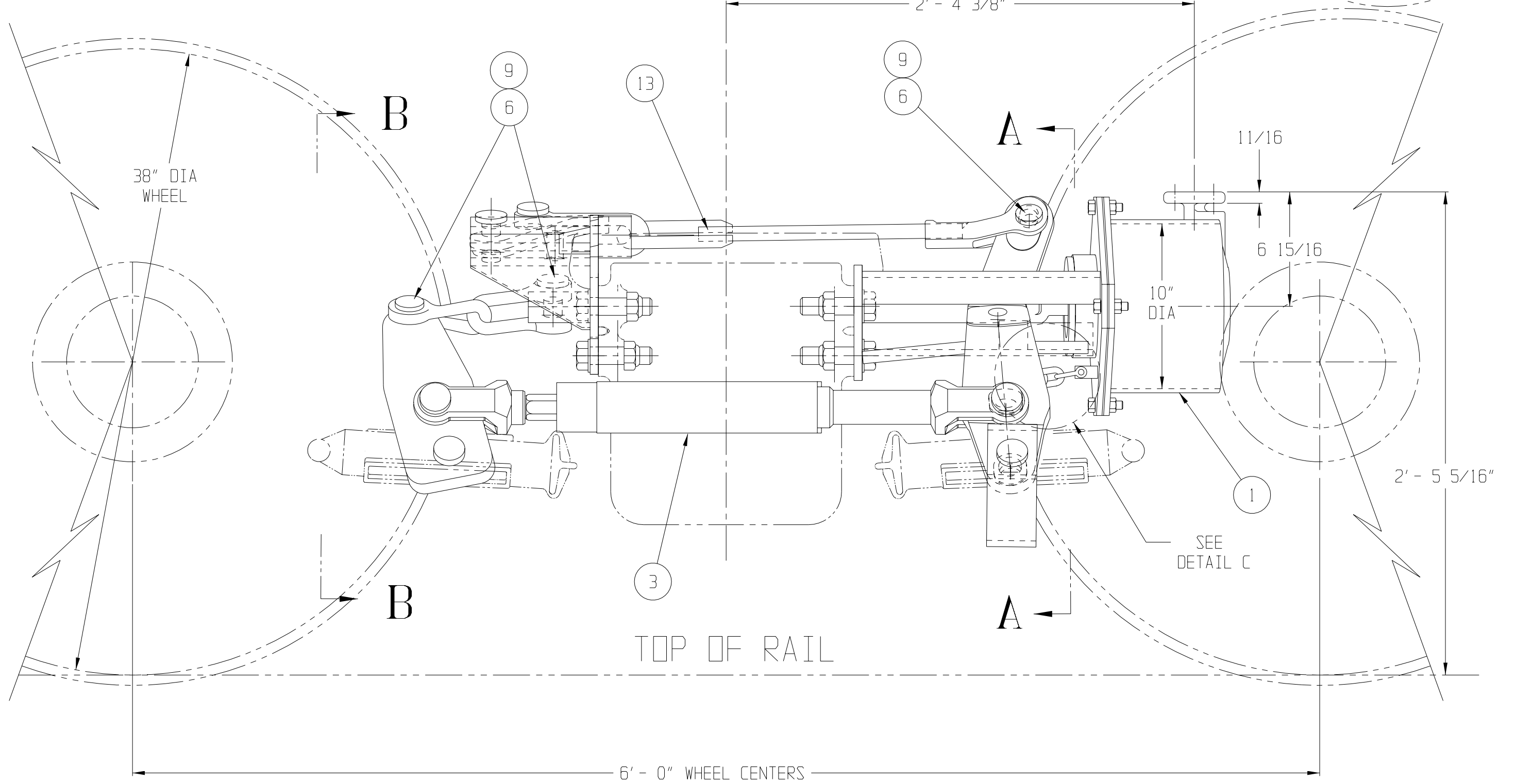
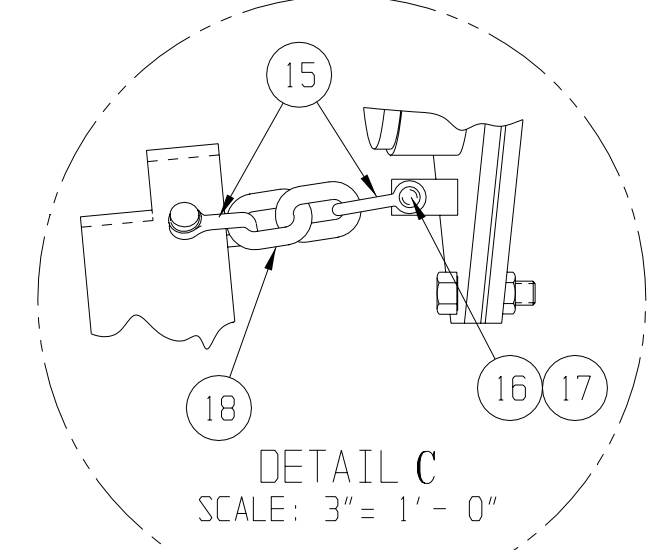
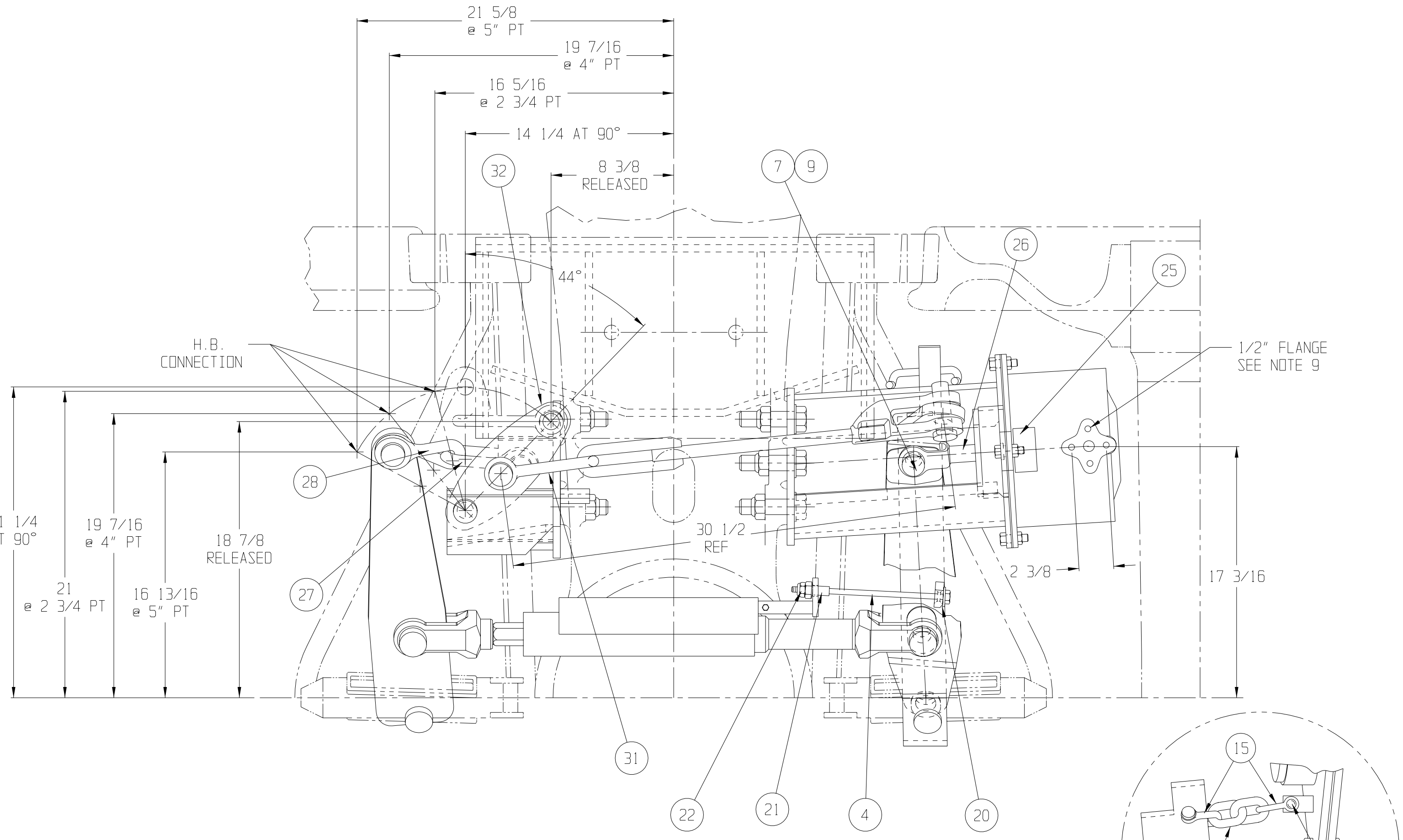


VIEW B-B



SECTION A-A



COVERED BY PATENTS
U.S. 4312428
CANADA 1163931

REVISIONS			
LTR	DATE	DESCRIPTION	BY
		ISSUED PER ECN #2260	
A	12/01/00	P/N 34527 WAS P/N 34362-1 AND REVISED PICTURE. ADDED BEARING BOX TO THE DRAWING. IN NOTE #9 THE DESCRIPTION OF 1/2-13 UNC SCREW WAS 1/2-13 UNC BOLT. REVISED NOTE 5 IN NOTE 6 -1524 WAS -2524. PER ECN #3149	PS
B	09/27/05	IT 9 (P/N 4034-18) WAS 9008-2 AND IT 33 (P/N 4034-13) WAS 9008-3. PER ECN #7230	PS
C	10/16/06	DELETED ITEM 33 (P/N 4034-13). ITEM 9 WAS 8 RED. PER ECN #7279	PS
D	07/23/07	ADDED H.B. CONNECTION DIMS FOR 2 3/4\", 4\"/>	

- NOTE:
- SEE PURCHASE ORDER FOR DRAWING NO. SHOWING TRUCK MOUNTED BRAKE AND LEVER LOCATIONS.
 - QUANTITIES SHOWN ARE FOR ONE TRUCK SET OF MATERIAL.
 - THIS TRUCK MOUNTED BRAKE IS DESIGNED FOR USE WITH NO. 24 BRAKE BEAMS. WHEN USING ANY OTHER BRAKE BEAMS CONTACT ELLCON NATIONAL.
 - BADGE PLATES WILL BE SUPPLIED BY CARBUILDER.
 - THESE PARTS MAKE ASSEMBLY P/N 31550.
 - TRUCK MOUNTED BRAKE IS SHOWN IN LIGHT CAR. BRAKE RELEASED, AT HAND BRAKE TRUCK WITH LIVE LEVER NO. 9548-1524.
 - DO NOT LIFT USING ANY PART OF THE TRUCK MOUNTED BRAKE.
 - TORQUE NUTS (ITEM 24) TO 250-300 FT. LBS.
 - FOR AIR BRAKE CONNECTION THE CARBUILDER WILL USE (2) 1/2-13 UNC HEX HEAD SELF LOCKING CAP SCREWS.
 - THERE SHOULD BE SLACK ALLOWED IN HORIZONTAL CHAIN CONNECTION FOR A CAR TO NEGOTIATE A 180 FT. OR 150 FT. RADIUS CURVE AS PER A.A.R. SPECIFICATION.
 - THE (2) PISTON TRAVEL INDICATOR DECALS ITEM 29 (P/N 32804) HAVE TO BE APPLIED BY THE CAR BUILDER TO EACH SIDE OF THE CAR IN THE CYLINDER AREA. THE DECALS ARE SHIPPED LOOSE.
 - UNLESS OTHERWISE NOTED, ALL DIMENSIONS ARE NOMINAL.
 - 6\"/>

A/R	PART NO.	DESCRIPTION	ITEM
	32361-20	MULTIPLYING LEVER (8 1/2 X 3 3/4)	32
	32315	CLEVIS	31
	3958-48	WASHER, PLAIN HARDENED 1"	30
	32804	P.T INDICATOR DECAL	29
	31411	CLEVIS (90 R.H. TWIST)	28
	8819	CLEVIS	27
	30218	PUSH ROD (PART OF ITEM 1)	26
	30252	NAMEPLATE (PART OF ITEM 1)	25
	4493-31	NUT (ESNA), 1-8	24
	3442-137	BOLT 1-8 UNC X 3 3/4 LG. (GR.5)	23
	4493-35	NUT (ESNA), 1/2-13 (PART OF ITEM 3)	22
	33158	CONTROL ARM NUT (PART OF ITEM 3)	21
	3958-45	WASHER, PLAIN 1/2 (PART OF ITEM 3)	20
	30538-1	CLEVIS PIN 1 11/32 X 3 TO C HOLE	19
	31439	CHAIN ASSY	18
	31438-3	COTTER PIN	17
	31438-2	PIN	16
	31438-1	SHACKLE	15
	30835-1	ACTUATOR LEVER	14
	34527	PULL ROD	13
	9578-3424	DEAD LEVER	12
	9548-1524	LIVE LEVER (HAND BRAKE TRUCK)	11
	3958-35	WASHER, PLAIN, 1 3/8	10
	4034-18	COTTER PIN, 3/8 DIA x 2 1/2 LG	9
	30538-2	CLEVIS PIN, 1 11/32 X 5 3/8 TO C HOLE	8
	30166-2	CLEVIS PIN, 1 3/32 X 2 1/2 TO C HOLE	7
	30166-1	CLEVIS PIN, 1 3/32 X 3 TO C HOLE	6
	30167-1	CLEVIS PIN, 1 7/32 X 3 TO C HOLE	5
	30836	CONTROL ARM 1/2-13 (PART OF ITEM 3)	4
	7100-22	SLACK ADJUSTER (DOUBLE ACTING)	3
	34025	DEAD LEVER BRACKET	2
	31330-1	BOLSTER SADDLE AND CYLINDER ASS'Y.	1

BILL OF MATERIAL
TOLERANCES AND FINISHES UNLESS OTHERWISE NOTED
ELLCON NATIONAL
50 BEECHTREE BLVD. GREENVILLE, S.C. 29605
125 TON ASSEMBLY
MODEL 8500
TRUCK MOUNTED BRAKE

THIS DOCUMENT AND ITS CONTENTS CONTAIN CONFIDENTIAL AND PROPRIETARY INFORMATION OWNED BY ELLCON-NATIONAL, INC. AND IT AND ALL COPIES THEREOF ARE TO BE RETURNED TO ELLCON-NATIONAL WHEN SO REQUESTED. THIS DOCUMENT OR ANY PART THEREOF SHALL NOT BE REPRODUCED, COPIED, OR TRANSMITTED ELECTRONICALLY. THE INFORMATION CONTAINED HEREIN SHALL NOT BE DISCLOSED BY THE RECIPIENT TO OTHERS OR USED BY RECIPIENT WITHOUT THE PRIOR WRITTEN CONSENT SPECIFIC TO EACH CASE. ELLCON-NATIONAL, INC.
MATERIAL: WEIGHT: 281 LBS PER TMB WITH HANDBRAKE LEVER (LESS BRAKE BEAMS, SHOES, KEYS AND CYLINDER HOSE)
SCALE: 2\"/>

SCALE	2" = 1'-0"	DATE	10-04-99	REV.	
DRAWN	PS				
CHECKED	PSDPT				

TMB-693-L D