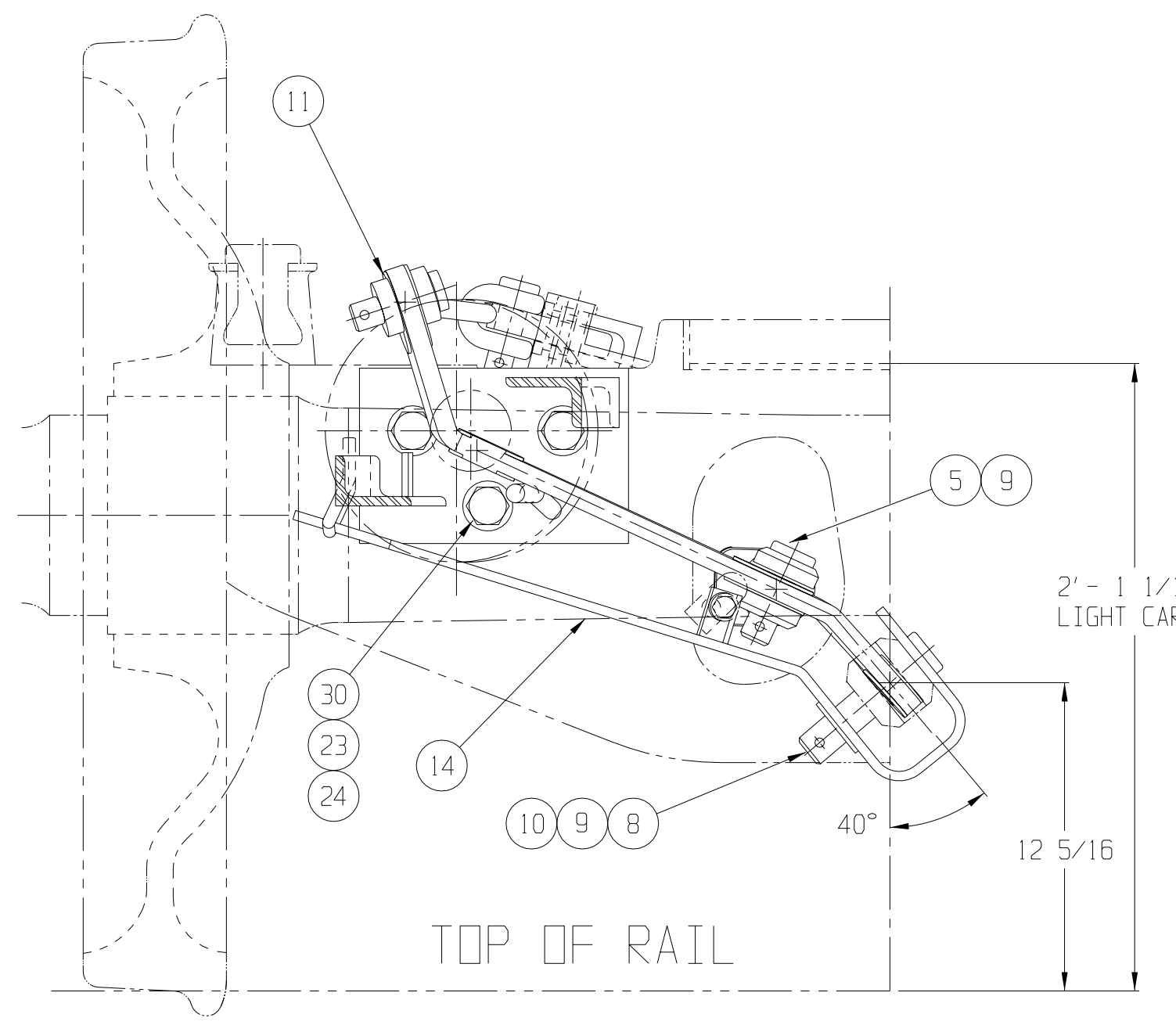
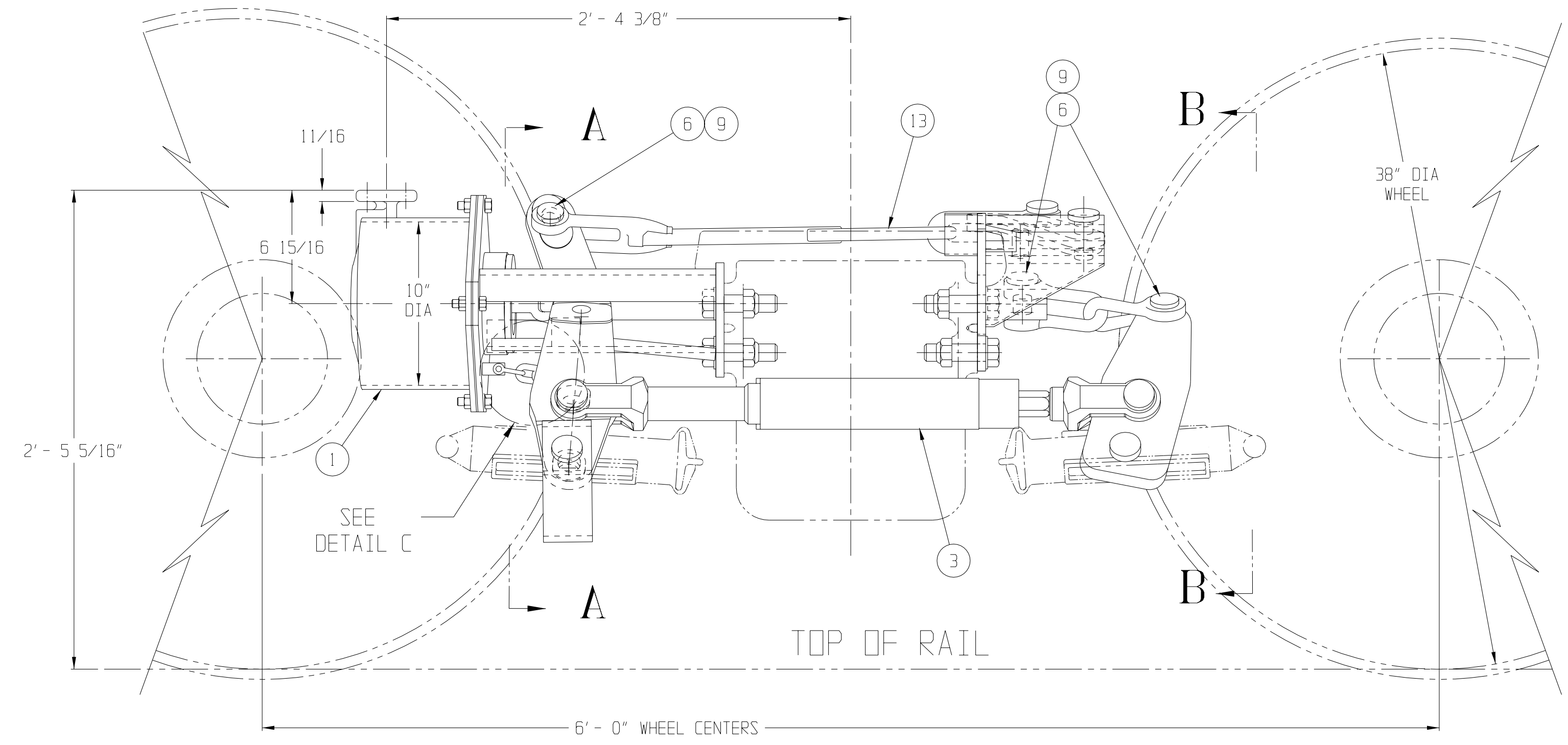


VIEW B-B



SECTION A-A



THIS TMB WAS EQUIPPED WITH A PULL ROD P/N 33996-2 PRIOR TO 12/3/97.

COVERED BY PATENTS
U.S. 4312428
CANADA 1163931

REVISIONS			
LTR	DATE	DESCRIPTION	BY
		ISSUED PER ECN #403.	
A	6-26-97	CHANGED PICTURE: ADDED NOTCH TO ITEM 2.	AKH
B	9-30-97	PER ECN #432 P/N 31330-2 ROTATED 2 1/2\"/>	

- NOTE:
- SEE PURCHASE ORDER FOR DRAWING NO. SHOWING TRUCK MOUNTED BRAKE AND LEVER LOCATIONS.
 - QUANTITIES SHOWN ARE FOR ONE TRUCK SET OF MATERIAL.
 - THIS TRUCK MOUNTED BRAKE IS DESIGNED FOR USE WITH NO. 24 BRAKE BEAMS. WHEN USING ANY OTHER BRAKE BEAMS CONTACT ELLCON NATIONAL.
 - BADGE PLATES WILL BE SUPPLIED BY CARBUILDER.
 - THESE PARTS MAKE ASSEMBLY P/N 31550.
 - TRUCK MOUNTED BRAKE IS SHOWN IN LIGHT CAR, BRAKE RELEASED, AT HAND BRAKE TRUCK WITH LIVE LEVER NO. 9548-2524.
 - DO NOT LIFT USING ANY PART OF THE TRUCK MOUNTED BRAKE.
 - TORQUE NUTS (ITEM 24) TO 250-300 FT.LBS.
 - FOR AIR BRAKE CONNECTION THE CARBUILDER WILL USE (2) 1/2-13 UNC HEX HEAD SELF LOCKING CAP SCREWS.
 - THERE SHOULD BE SLACK ALLOWED IN HORIZONTAL CHAIN CONNECTION FOR A CAR TO NEGOTIATE A 180 FT. OR 150 FT. RADIUS CURVE AS PER A.A.R. SPECIFICATION.
 - THE (2) PISTON TRAVEL INDICATOR DECALS ITEM 29 (P/N 32804) HAVE TO BE APPLIED BY THE CAR BUILDER TO EACH SIDE OF THE CAR IN THE CYLINDER AREA. THE DECALS ARE SHIPPED LOOSE.
 - UNLESS OTHERWISE NOTED, ALL DIMENSIONS ARE NOMINAL.
 - 6\"/>

A/R	QTY.	PART NO.	DESCRIPTION	ITEM
		32361-20	MULTIPLYING LEVER (8 1/2 X 3 3/4)	32
		32315	CLEVIS	31
		3958-48	WASHER, PLAIN HARDENED 1"	30
		32804	P.T INDICATOR DECAL	29
		31411	CLEVIS (90 R.H. TWIST)	28
		8819	CLEVIS	27
		30218	PUSH ROD (PART OF ITEM 1)	26
		30252	NAMEPLATE (PART OF ITEM 1)	25
		4493-31	NUT (ESNA), 1-8	24
		3442-137	BOLT 1-8 UNC X 3 3/4 LG. (GR.5)	23
		4493-35	NUT (ESNA), 1/2-13 (PART OF ITEM 3)	22
		33158	CONTROL ARM NUT (PART OF ITEM 3)	21
		3958-45	WASHER, PLAIN 1/2 (PART OF ITEM 3)	20
		30538-1	CLEVIS PIN 1 11/32 X 3 TO C HOLE	19
		31439	CHAIN ASSY	18
		31438-3	COTTER PIN	17
		31438-2	PIN	16
		31438-1	SHACKLE	15
		30835-2	ACTUATOR LEVER	14
		34392-2	PULL ROD	13
		9578-4424	DEAD LEVER	12
		9548-2524	LIVE LEVER (HAND BRAKE TRUCK)	11
		3958-35	WASHER, PLAIN, 1 3/8	10
		4034-18	COTTER PIN, 3/8 DIA x 2 1/2 LG	9
		30538-2	CLEVIS PIN, 1 11/32 X 5 3/8 TO C HOLE	8
		30166-2	CLEVIS PIN, 1 3/32 X 2 1/2 TO C HOLE	7
		30166-1	CLEVIS PIN, 1 3/32 X 3 TO C HOLE	6
		30167-1	CLEVIS PIN, 1 7/32 X 3 TO C HOLE	5
		30836	CONTROL ROD 1/2-13 (PART OF ITEM 3)	4
		7100-22R	SLACK ADJUSTER (DOUBLE ACTING)	3
		34025-2	DEAD LEVER BRACKET	2
		31330-2	BOLSTER SADDLE AND CYLINDER ASS'Y.	1

BILL OF MATERIAL

TOLERANCES AND FINISHES UNLESS OTHERWISE NOTED

ELLCON NATIONAL
50 BEECHTREE BLVD. GREENVILLE, S.C. 29605

125 TON ASSEMBLY
MODEL 8500
TRUCK MOUNTED BRAKE

SCALE 2" = 1' - 0" DATE 6-16-97 REV. _____

DRAWN AKH
CHECKED P. SPT

TMB-668-R H

THIS DOCUMENT AND ITS CONTENTS CONTAIN CONFIDENTIAL AND PROPRIETARY INFORMATION OWNED BY ELLCON-NATIONAL, INC. AND IT AND ALL COPIES THEREOF ARE TO BE RETURNED TO ELLCON-NATIONAL WHEN SO REQUESTED. THIS DOCUMENT OR ANY PART THEREOF SHALL NOT BE REPRODUCED, COPIED, OR TRANSMITTED ELECTRONICALLY. THE INFORMATION CONTAINED HEREIN SHALL NOT BE DISCLOSED BY THE RECIPIENT TO OTHERS OR USED BY RECIPIENT WITHOUT THE PRIOR WRITTEN CONSENT SPECIFIC TO EACH CASE. ELLCON-NATIONAL, INC.

MATERIAL:
WEIGHT: 281 LBS PER TMB
WITH HANDBRAKE LEVER
(LESS BRAKE BEAMS, SHOES,
KEYS AND CYLINDER HOSE)