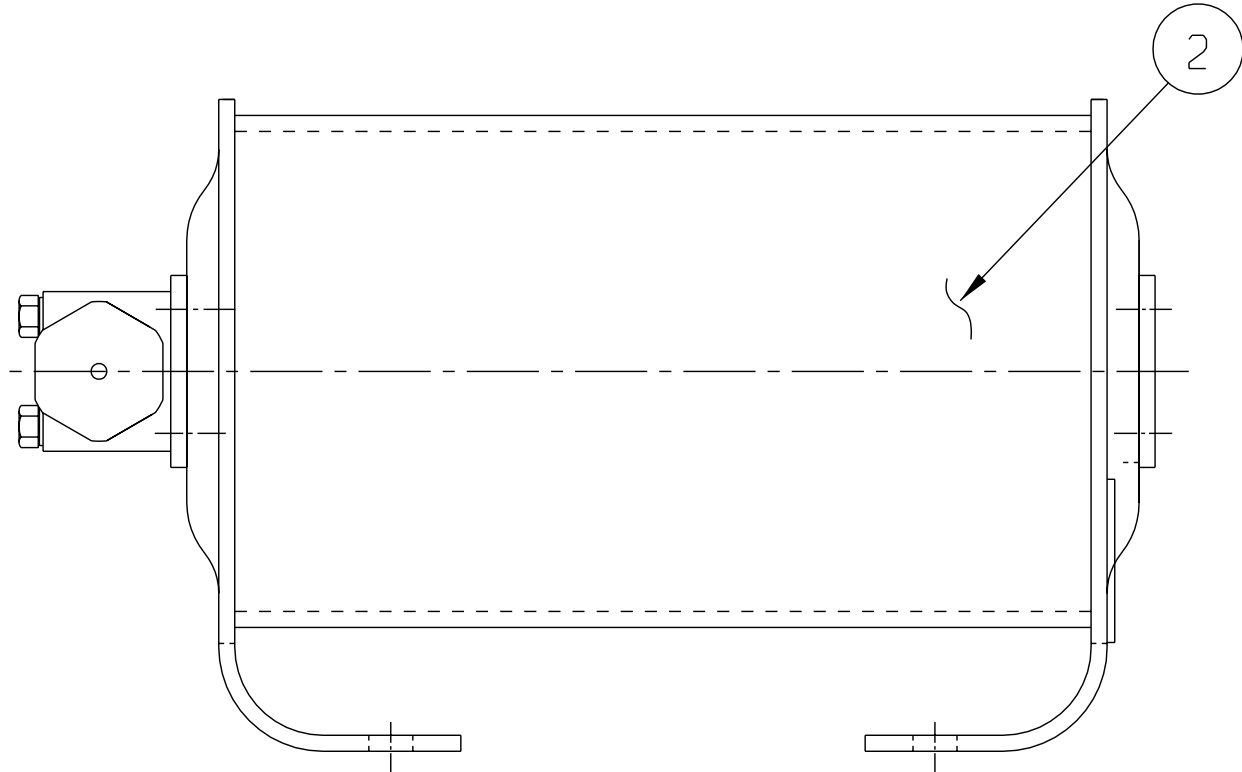
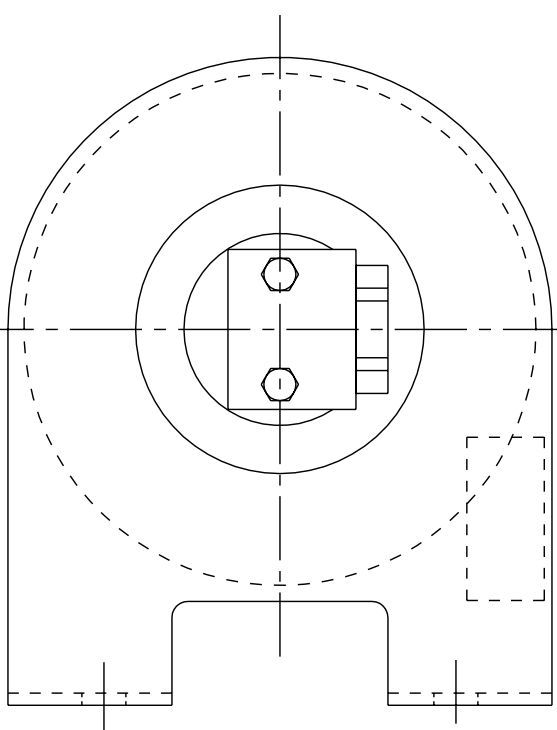
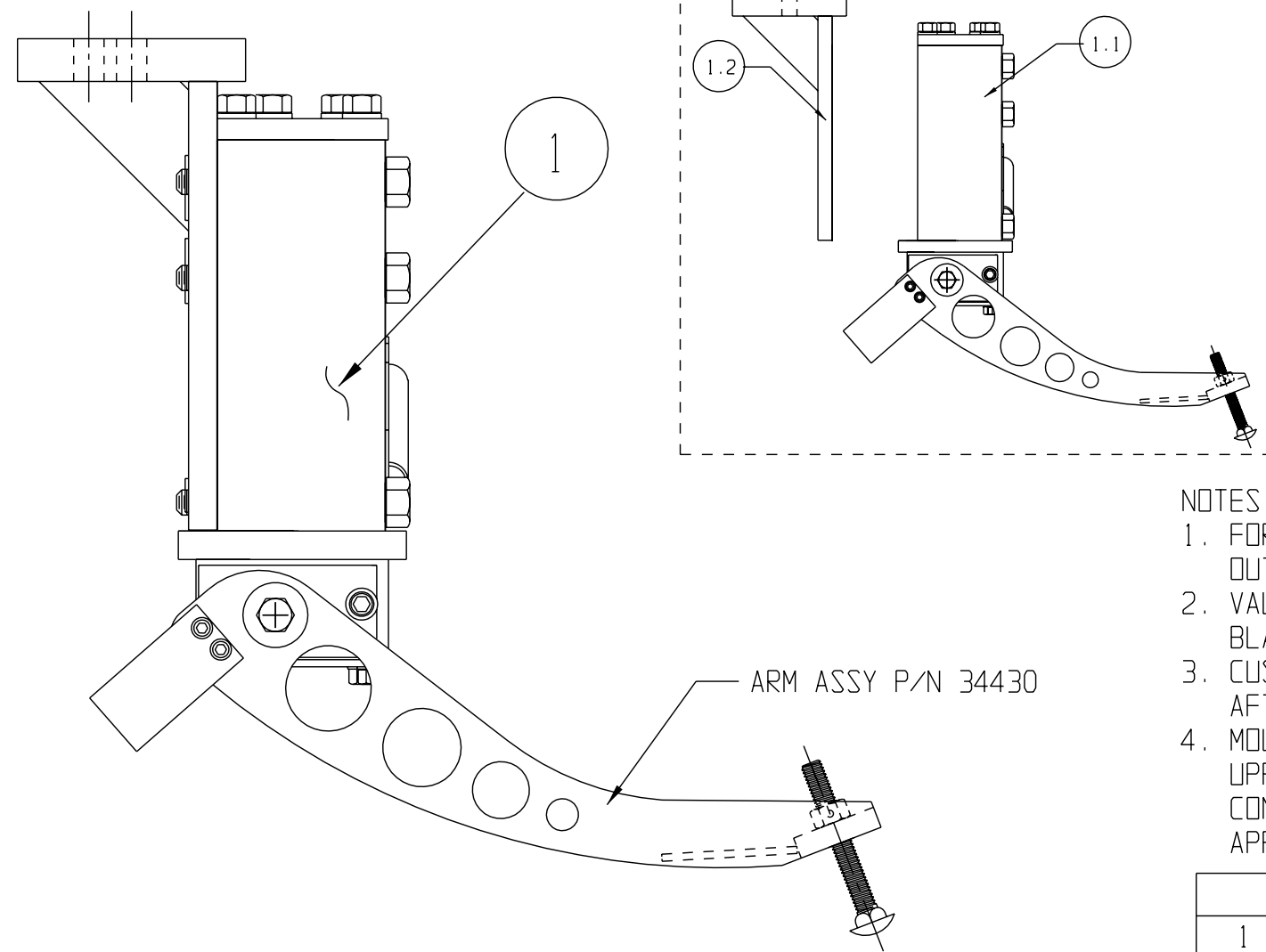
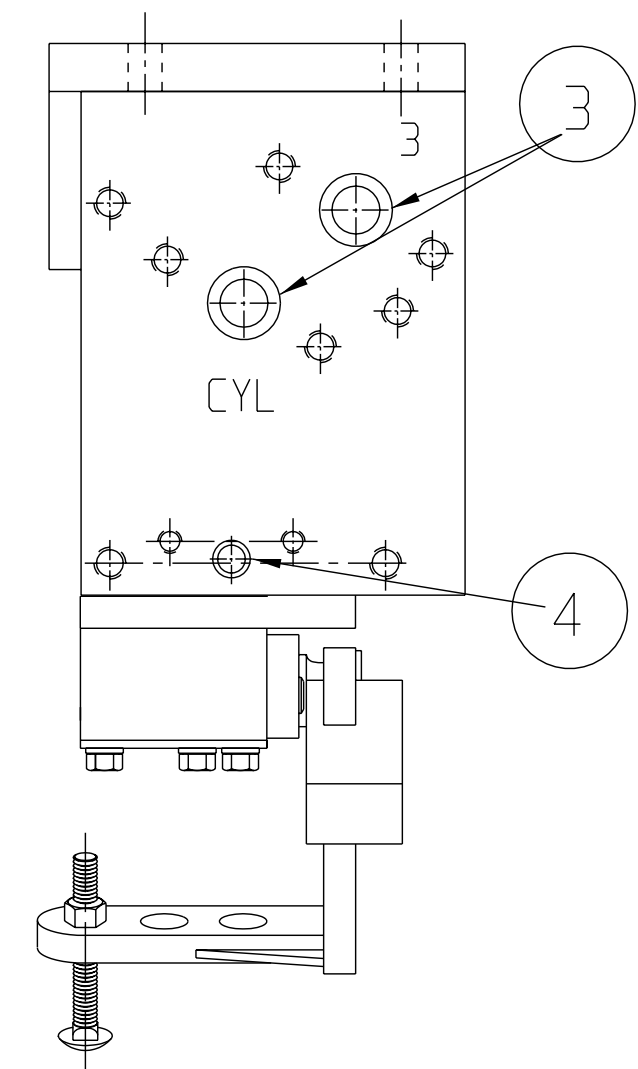


REVISIONS			
LTR	DATE	DESCRIPTION	BY
	8/12/04	RELEASED PER ECN #5787	RJD
A	9/20/04	RMVD 'UPSTREAM' IN TITLE -ECN 5846	DAC
B	4/8/05	CHANGED DWG C-32955 TO C-32955-1 IN NOTE #1 PER ECN #6157	RJD DAC
C	8/10/05	RMV'D NOTE 2; PICTORIALLY UPDATED MTG HOLE LOCATIONS PER ECN 6430	DAC
D	8/26/05	PICTORIALLY REV'D PER ECN 6470	DAC
E	1/6/06	ADDED NOTES 2, 3 & 4 PER ECN 6693	DAC
F	11-10-06	CHANGED ITEM 2 34470L WAS 35010 PER ECN 7342	RAL
G	3/7/08	INSERTED SUBASSYS 35770 AND 32836-1; ADDED ARM ASSY NOTE; PER ECN 8381	SDM




NOTES:

1. FOR 32905-L/50 EMPTY/LOAD DEVICE
OUTLINE DIMENSIONS, SEE DRAWING C-32955-1.
2. VALVE UNIT AND RESERVOIR TO BE COATED WITH A BLACK, WATER REDUCIBLE PRIMER.
3. CUSTOMER TO REMOVE ALL (3) PLASTIC PROTECTORS AFTER CAR BLASTING AND BEFORE AIR TESTING.
4. MOUNTING HEIGHT: 19 5/16" (+1/8 -1/8) FROM UPPER EDGE OF PIPE BRACKET TO SIDE FRAME. CONTACT E-N ENG'G FOR APPROVAL IF APPLICATION IS NOT IN RECOMMENDED RANGE.

QTY.	PART NO.	DESCRIPTION	ITEM
1	4087-4	PLASTIC PROTECTOR	4
2	4087-26	PLASTIC PROTECTOR	3
1	34470L	RESERVOIR ASSEMBLY	2
	32836-1	RIGHT HAND MOUNTING BRKT	1.2
	35570	VALVE/SENSOR ASSY	1.1
1	34605	VALVE UNIT	1

BILL OF MATERIAL

ELLCON  NATIONAL
 50 BEECHTREE BLVD. GREENVILLE, S.C. 29605

MODEL 32905-L/50
 50% EMPTY/LOAD DEVICE

SCALE NONE	DATE 8/12/04	REV.
DRAWN RJD	B-32905-L/50 G	
CHECKED DAC		