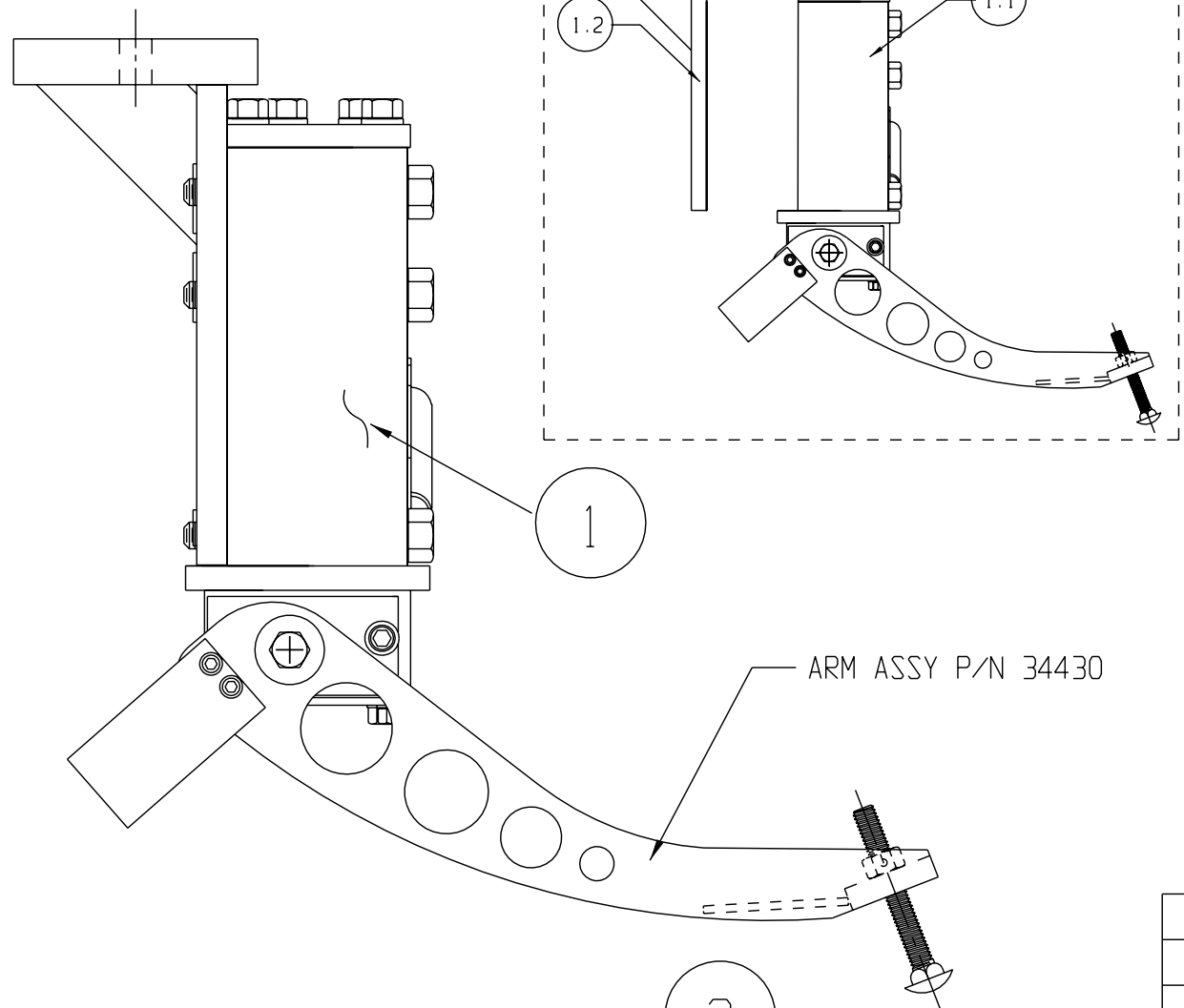
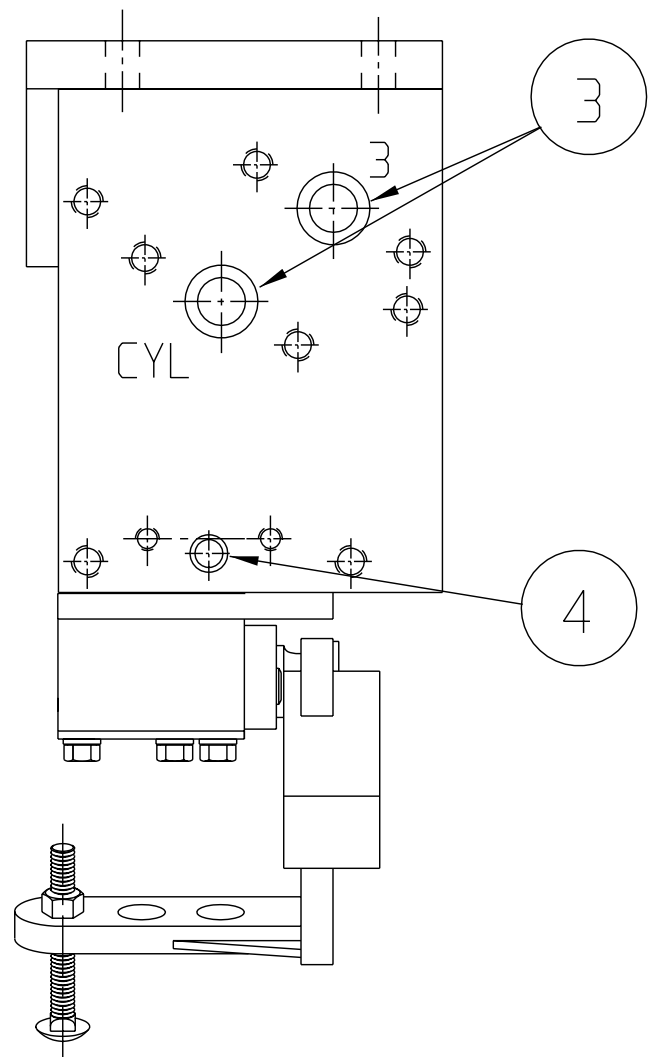
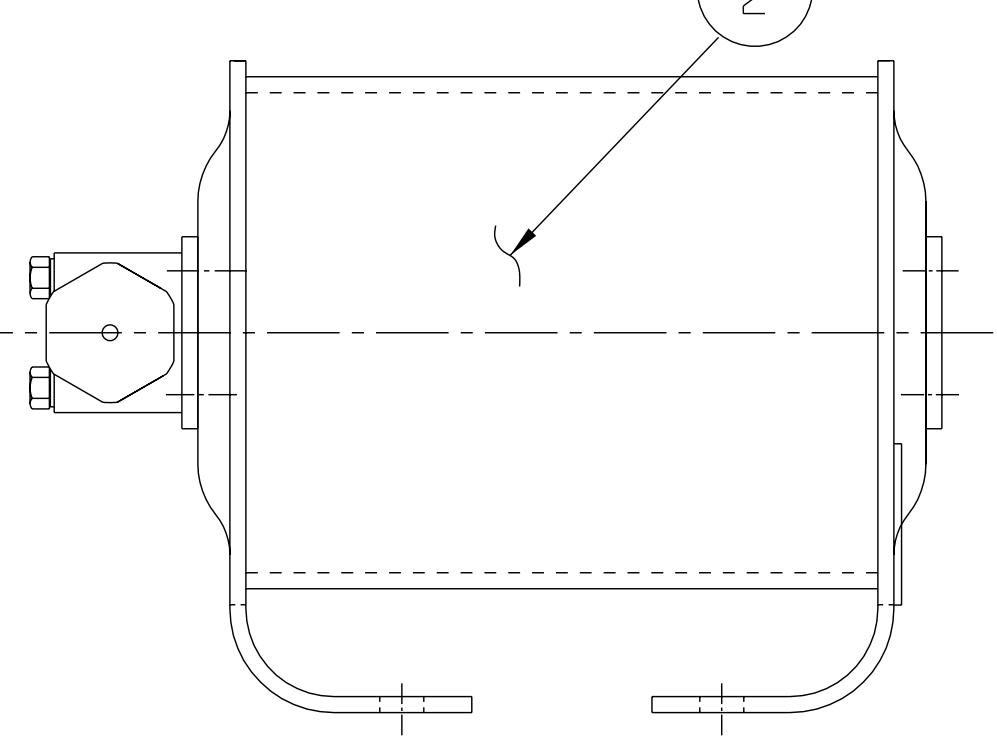
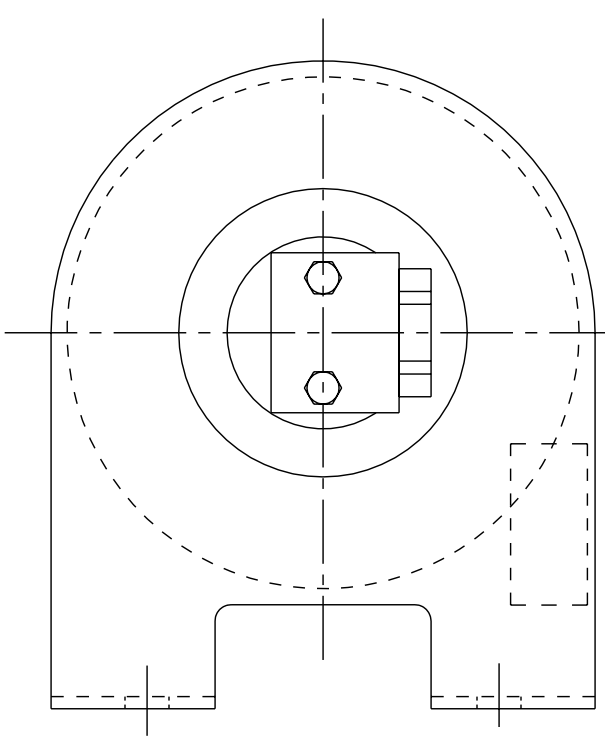


REVISIONS			
LTR	DATE	DESCRIPTION	BY
K	2/17/05	UPDATED TO SHOW NEW COUNTERWEIGHT & TOP CAP PER ECN 6063	DAC
L	3/3/05	ADDED "60%" TO TITLEBLOCK PER ECN 6099	DAC
M	8/26/05	PICTORIALLY REV'D PER ECN 6470	DAC
N	1/6/06	ADDED NOTES 2, 3 & 4 PER ECN 6693	DAC
P	11-08-06	CHANGED ITEM 2 32440L WAS 32886 PER ECN 7342	RAL
R	3/7/08	ADDED SUBASSYS 35490 AND 32836 ADDED ARM ASSY P/N; PER ECN 8381	SDM



- NOTES:
- FOR 32905-L EMPTY/LOAD DEVICE
OUTLINE DIMENSIONS, SEE DRAWING C-32955
 - VALVE UNIT AND RESERVOIR TO BE COATED WITH A BLACK, WATER REDUCIBLE PRIMER.
 - CUSTOMER TO REMOVE ALL (3) PLASTIC PROTECTORS AFTER CAR BLASTING AND BEFORE AIR TESTING.
 - MOUNTING HEIGHT: 19 5/16" (+1/8 -1/8) FROM UPPER EDGE OF PIPE BRACKET TO SIDE FRAME. CONTACT E-N ENG'G FOR APPROVAL IF APPLICATION IS NOT IN RECOMMENDED RANGE.



1	4087-4	PLASTIC PROTECTOR	4
2	4087-26	PLASTIC PROTECTOR	3
1	32440L	RESERVOIR ASSEMBLY	2
X	32836	RIGHT HAND MOUNTING BRKT	1.2
X	35490	VALVE/SENSOR ASSY	1.1
1	32890	VALVE UNIT	1
X	32905-L	EMPTY-LOAD DEVICE	X
QTY.	PART NO.	DESCRIPTION	ITEM

BILL OF MATERIAL

ELLCON  NATIONAL
 50 BEECHTREE BLVD. GREENVILLE, S.C. 29605

MODEL 32905-L
 60% EMPTY/LOAD DEVICE

THIS DOCUMENT AND ITS CONTENTS CONTAIN CONFIDENTIAL AND PROPRIETARY INFORMATION OWNED BY ELLCON-NATIONAL, INC. AND IT AND ALL COPIES THEREOF ARE TO BE RETURNED TO ELLCON-NATIONAL WHEN SO REQUESTED. THIS DOCUMENT OR ANY PART THEREOF SHALL NOT BE REPRODUCED, COPIED, OR TRANSMITTED ELECTRONICALLY. THE INFORMATION CONTAINED HEREIN SHALL NOT BE DISCLOSED BY THE RECIPIENT TO OTHERS OR USED BY RECIPIENT WITHOUT THE PRIOR WRITTEN CONSENT SPECIFIC TO EACH CASE. ELLCON-NATIONAL, INC.

SCALE NONE	DATE 3-16-94	REV.
DRAWN D. BRUSHWOOD	B-32905	R
CHECKED VKB		