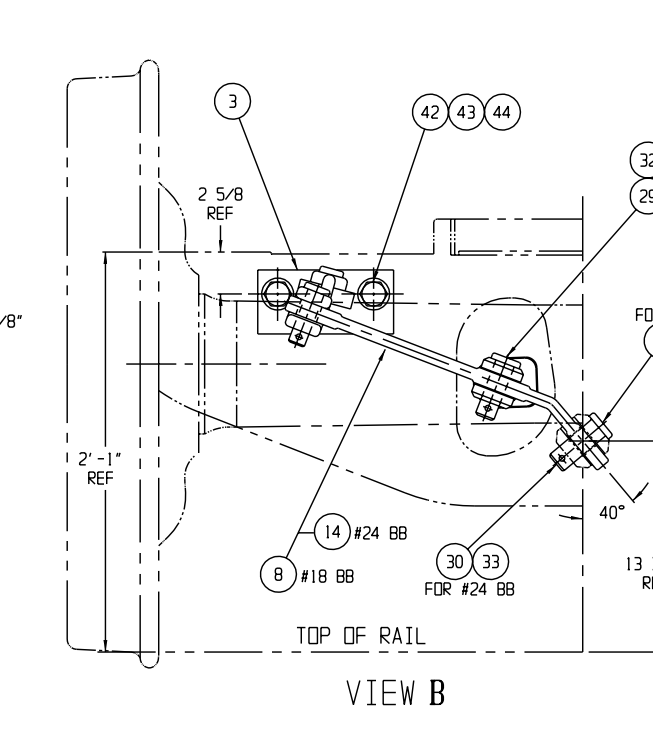
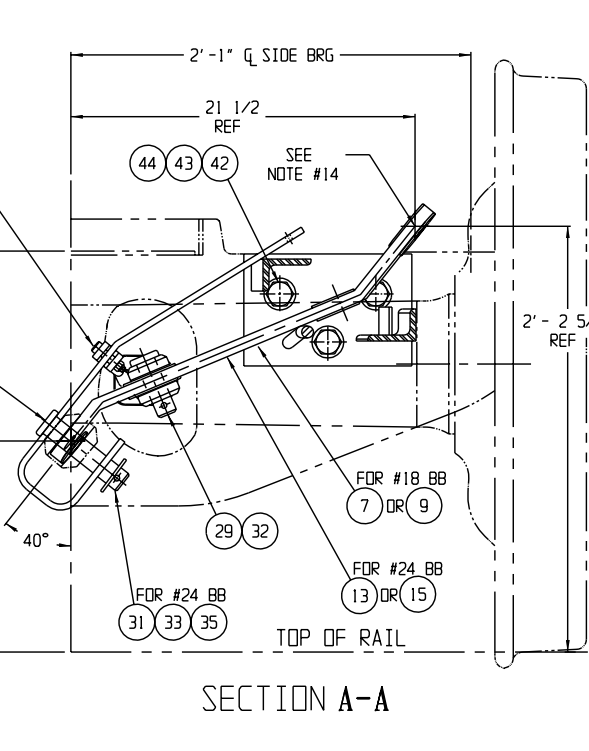
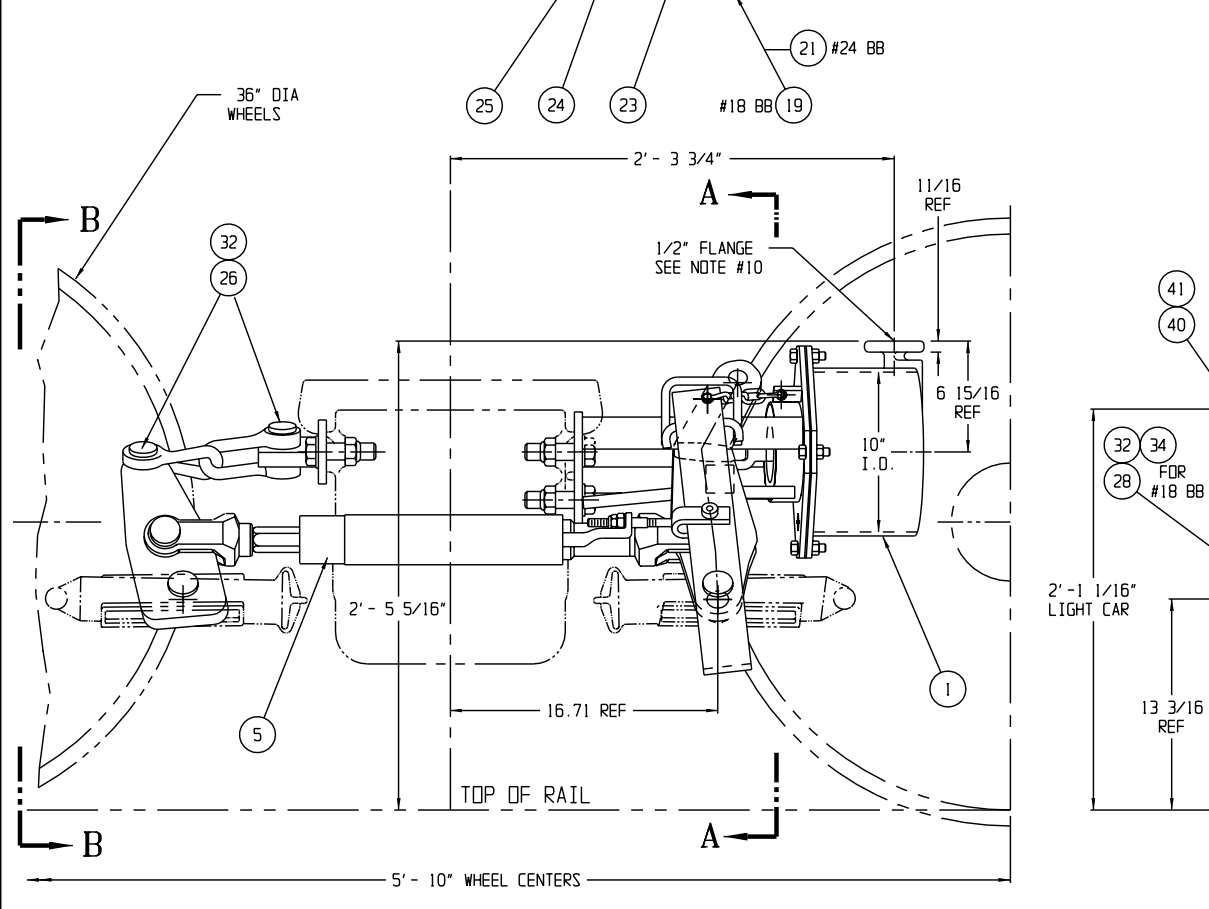
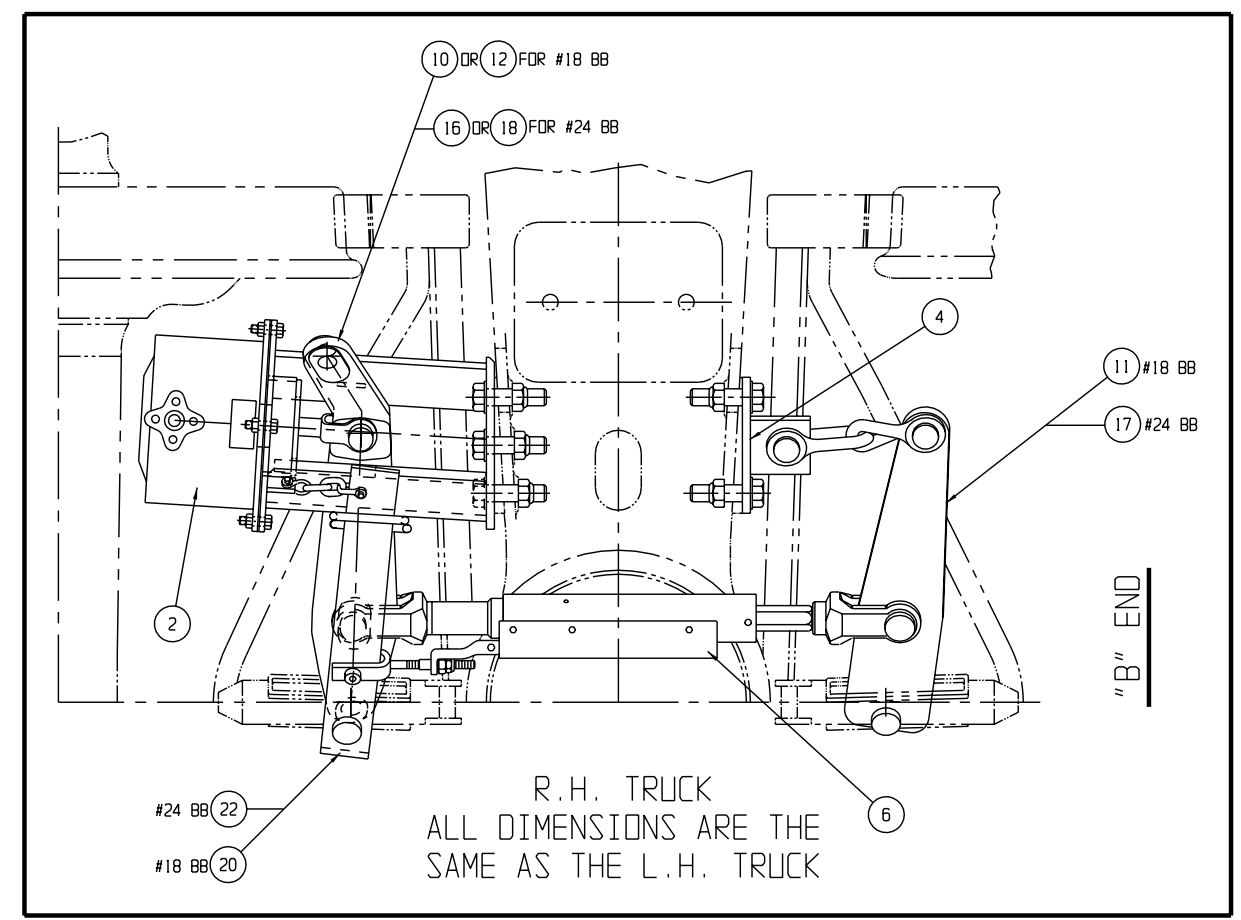
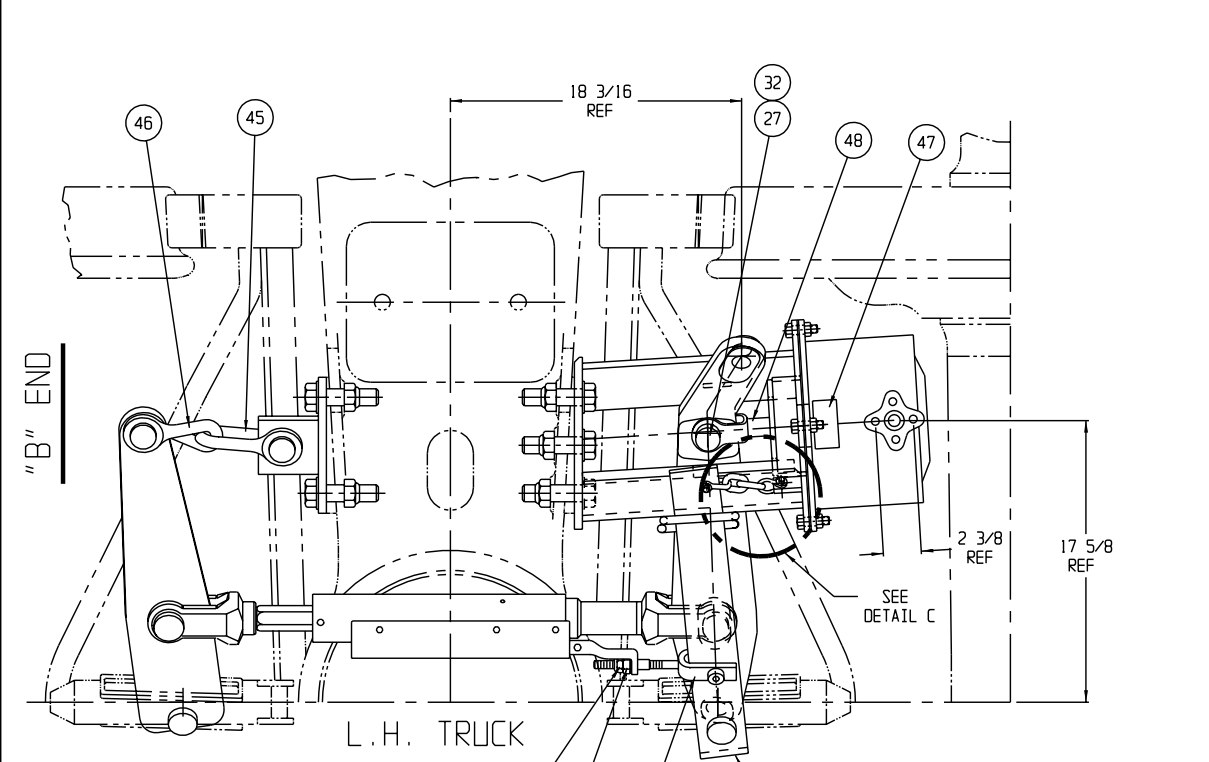
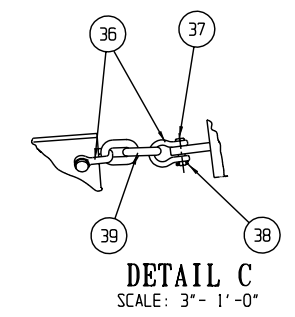


- NOTES:
1. SEE PURCHASE ORDER FOR DRAWING NO. SHOWING TRUCK MOUNTED BRAKE AND LEVER LOCATIONS.
 2. QUANTITIES SHOWN ARE FOR ONE TRUCK-SET OF MATERIAL.
 3. THESE TRUCK MOUNTED BRAKES ARE DESIGNED FOR USE WITH NO. #18 BRAKE BEAMS.
 4. THESE TRUCK MOUNTED BRAKES ARE DESIGNED FOR USE WITH NO. #24 BRAKE BEAMS.
 5. BADGE PLATE WILL BE SUPPLIED BY CARBUILDER.
 6. THESE PARTS MAKE ASSEMBLY P/N 31550.
 7. TRUCK MOUNTED BRAKE IS SHOWN IN LIGHT CAR, BRAKE RELEASED AT HAND BRAKE TRUCK WITH LIVE LEVER.
 8. DO NOT LIFT USING ANY PART OF THE T.M.B.
 9. TORQUE NUTS (ITEM 43) TO 250-300 FT. LBS.
 10. FOR AIR BRAKE CONNECTION THE CARBUILDER WILL USE (2) 1/2-13 UNC HEX HEAD SELF LOCKING CAP SCREWS.
 11. THERE SHOULD BE SLACK ALLOWED IN HORIZONTAL CHAIN CONNECTION FOR A CAR TO NEGOTIATE A 180 FT. OR 150 FT. RADIUS CURVE FOR A.A.R. SPECIFICATION.
 12. THE PISTON TRAVEL INDICATOR DECALS ITEM 49 (32804) HAVE TO BE APPLIED BY THE CAR BUILDER TO EACH SIDE OF THE CAR IN THE CYLINDER AREA. THE DECALS ARE SHIPPED LOOSE.
 13. UNLESS OTHERWISE NOTED, ALL DIMENSIONS ARE NOMINAL.
 14. CLEVIS, CLEVIS PIN & COTTER PIN FOR HAND BRAKE CONNECTION WILL BE SUPPLIED BY THE CARBUILDER.
 15. SEE ELLCON NATIONAL'S INSTALLATION AND FIELD SERVICE INSTRUCTIONS FOR SET-UP PROCEDURES.

COVERED BY PATENTS
U.S. 4312428
CANADA 1163931

REVISIONS			
LTR	DATE	DESCRIPTION	BY
		ISSUED PER ECN #4257	



QTY	PART NO	DESCRIPTION	ITEM			
12	2	2	2	32804	P.T. INDICATOR DECAL (NOT SHOWN)	49
1	1	1	1	30218	PUSH ROD (PART OF IT. 1 & 2)	48
1	1	1	1	30252	NAMEPLATE (PART OF IT. 1 & 2)	47
1	1	1	1	31411	CLEVIS (90 R.H. TWIST)	46
1	1	1	1	8819	CLEVIS	45
5	5	5	5	3958-48	WASHER, PLAIN HARDENED 1"	44
9	5	5	5	4493-31	NUT (ESNA), 1-8	43
5	5	5	5	3442-137	BOLT, 1-8 UNC X 3 3/4 LG (GR.5)	42
1	1	1	1	5340-4	SHOULDER BOLT, 3/8-16	41
1	1	1	1	4493-8	NUT (ESNA), 3/8-16	40
6	1	1	1	31439	CHAIN	39
6	2	2	2	31438-3	COTTER PIN	38
6	2	2	2	31438-2	PIN	37
6	2	2	2	31438-1	SHACKLE	36
1	1	1	1	3958-35	WASHER, PLAIN, 1 3/8	35
-	-	1	1	3958-28	WASHER, PLAIN, 1 1/4	34
2	2	-	-	9008-3	COTTER PIN, WEDGE FAST, 5/16 X 3	33
5	5	7	7	9008-2	COTTER PIN, WEDGE FAST, 5/16 X 2 1/2	32
1	1	1	1	30538-2	CLEVIS PIN, 1 11/32 X 5 3/8 TO CL HOLE	31
1	1	-	-	30538-1	CLEVIS PIN, 1 11/32 X 3 TO CL HOLE	30
2	2	2	2	30167-1	CLEVIS PIN, 1 7/32 X 3 TO CL HOLE	29
-	-	1	1	30166-4	CLEVIS PIN, 1 3/32 X 5 3/8 TO CL HOLE	28
1	1	1	1	30166-2	CLEVIS PIN, 1 3/32 X 2 1/2 TO CL HOLE	27
2	2	3	3	30166-1	CLEVIS PIN, 1 3/32 X 3 TO CL HOLE	26
1	1	1	1	4493-35	NUT (ESNA), 1/2-13 (PART OF IT. 5 & 6)	25
1	1	1	1	33158	CONTROL ARM NUT (PART OF IT. 5 & 6)	24
1	1	1	1	31139	CONTROL ARM (PART OF IT. 5 & 6)	23
1	-	-	-	31157-1	ACTUATOR LEVER R.H. #24 B.B.	22
-	1	-	-	31157	ACTUATOR LEVER L.H. #24 B.B.	21
-	-	1	-	31141-1	ACTUATOR LEVER R.H. #18 B.B.	20
-	-	-	1	31141	ACTUATOR LEVER L.H. #18 B.B.	19
1	A/R	-	-	9547-4124	LIVE LEVER (NON HAND BRAKE TRUCK) R.H.	18
1	A/R	-	-	9578-2124	DEAD LEVER R.H.	17
1	A/R	-	-	9548-2624	LIVE LEVER (HAND BRAKE TRUCK) R.H.	16
1	-	A/R	-	9547-3124	LIVE LEVER (NON HAND BRAKE TRUCK) L.H.	15
1	-	A/R	-	9578-1124	DEAD LEVER L.H.	14
1	-	A/R	-	9548-1624	LIVE LEVER (HAND BRAKE TRUCK) L.H.	13
1	-	-	A/R	9547-41	LIVE LEVER (NON HAND BRAKE TRUCK) R.H.	12
1	-	-	A/R	9578-21	DEAD LEVER R.H.	11
1	-	-	A/R	9548-26	LIVE LEVER (HAND BRAKE TRUCK) R.H.	10
1	-	-	A/R	9547-31	LIVE LEVER (NON HAND BRAKE TRUCK) L.H.	9
1	-	-	A/R	9578-11	DEAD LEVER L.H.	8
1	-	-	A/R	9548-16	LIVE LEVER (HAND BRAKE TRUCK) L.H.	7
1	1	1	1	7100-26R	SLACK ADJUSTER (DOUBLE ACTING), R.H.	6
-	1	1	1	7100-26	SLACK ADJUSTER (DOUBLE ACTING), L.H.	5
1	1	1	1	30985-2	DEAD LEVER BRACKET, R.H.	4
-	1	1	1	30985	DEAD LEVER BRACKET, L.H.	3
1	1	1	1	31155-2	BOLSTER SADDLE AND CYLINDER ASSY, R.H.	2
-	1	1	1	31155-1	BOLSTER SADDLE AND CYLINDER ASSY, L.H.	1
4	X	-	-	TMB-801-R24	100 TMB ASSEMBLY, #24 B.B., R.H.	-
4	X	-	-	TMB-801-L24	100 TMB ASSEMBLY, #24 B.B., L.H.	-
3	-	-	-	TMB-801-R18	100 TMB ASSEMBLY, #18 B.B., R.H.	-
3	-	-	-	TMB-801-L18	100 TMB ASSEMBLY, #18 B.B., L.H.	-

SECTION NOTES

BILL OF MATERIAL

ELLCON NATIONAL
50 BEECHTREE BLVD GREENVILLE, S.C. 29605

WEIGHT: 240 LBS PER TMB WITH HANDBRAKE LEVER (LESS BRAKE BEAMS, SHOES, KEYS AND CYLINDER HOSE)

100 TON ASSEMBLY SERIES 8500 TRUCK MOUNTED BRAKE

SCALE: 2" = 1' - 0" DATE: 5/16/02 REV.:

DRAWN: PS
CHECKED: P. SPT

TMB-801

THIS DOCUMENT AND ITS CONTENTS CONTAIN CONFIDENTIAL AND PROPRIETARY INFORMATION OWNED BY ELLCON NATIONAL, INC. AND IT AND ALL COPIES THEREOF ARE TO BE RETURNED TO ELLCON NATIONAL WHEN SO REQUESTED. THE RECEIPTOR OF ANY PART THEREOF SHALL NOT BE REPRODUCED, COPIED, OR TRANSMITTED ELECTRONICALLY. THE INFORMATION CONTAINED HEREIN SHALL NOT BE DISCLOSED BY THE RECEIPTOR TO OTHERS OR USED BY RECEIPTOR WITHOUT THE PRIOR WRITTEN CONSENT SPECIFIC TO EACH CASE BY ELLCON NATIONAL, INC.