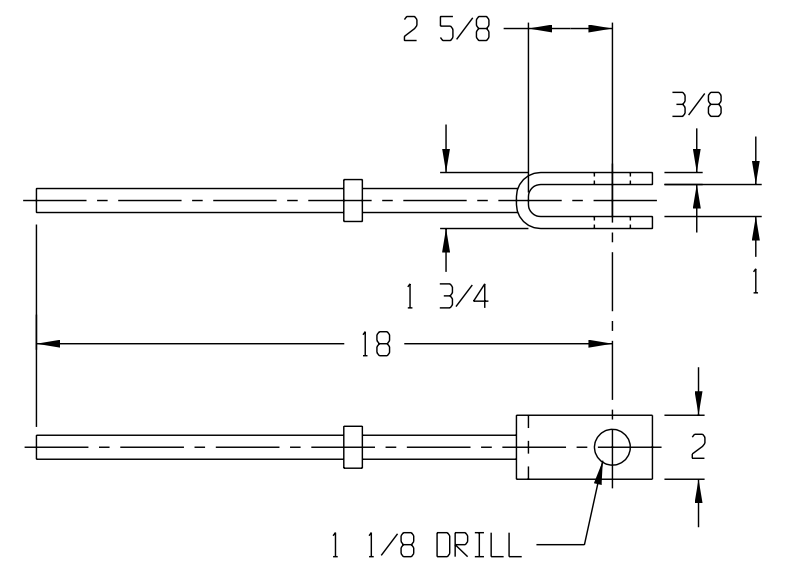
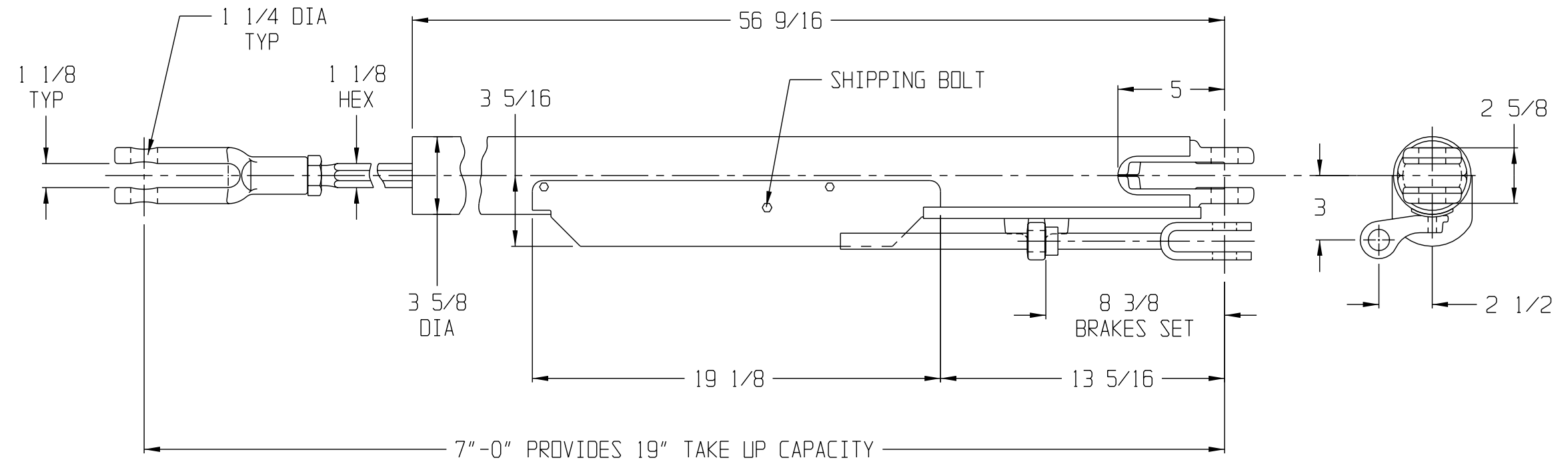



REVISIONS			
LTR	DATE	DESCRIPTION	BY
G	6-4-93	REDRAWN ON COMPUTER, GENERAL REVISIONS, RELEASED PER EDR 93-157	PAB



- NOTES-
1. UNITS NORMALLY SHIPPED AT 6'-9" LENGTH WHICH PROVIDES 16" TAKE-UP CAPACITY UNLESS OTHERWISE SPECIFIED
  2. CARBUJLDER SHOULD ALLOW A MINIMUM OF 1 INCH CLEARANCE BEYOND DIMENSIONS SHOWN.
  3. THE TRIGGER ON THE 2000-1-DJ SLACK ADJUSTER IS TO BE PAINTED YELLOW FOR IDENTIFICATION

CONTROL ROD ASSEMBLY  
P/N 3896

ELLCON  NATIONAL  
50 BEECHTREE BLVD. GREENVILLE, S.C. 29605

OUTLINE DIMENSIONS  
MODEL 2000-1-DJ  
SLACK ADJUSTER

SCALE 2' = 1'-0"	DATE 1-7-69	REV.
DRAWN MAR	B-4171-1	G
CHECKED R		

COVERED BY A.A.R.  
CERTIFICATE No. 10A

PATENTED

THIS DOCUMENT AND ITS CONTENTS CONTAIN CONFIDENTIAL AND PROPRIETARY INFORMATION OWNED BY ELLCON-NATIONAL, INC. AND IT AND ALL COPIES THEREOF ARE TO BE RETURNED TO ELLCON-NATIONAL WHEN SO REQUESTED. THIS DOCUMENT OR ANY PART THEREOF SHALL NOT BE REPRODUCED, COPIED, OR TRANSMITTED ELECTRONICALLY. THE INFORMATION CONTAINED HEREIN SHALL NOT BE DISCLOSED BY THE RECIPIENT TO OTHERS OR USED BY RECIPIENT WITHOUT THE PRIOR WRITTEN CONSENT SPECIFIC TO EACH CASE. ELLCON-NATIONAL, INC.