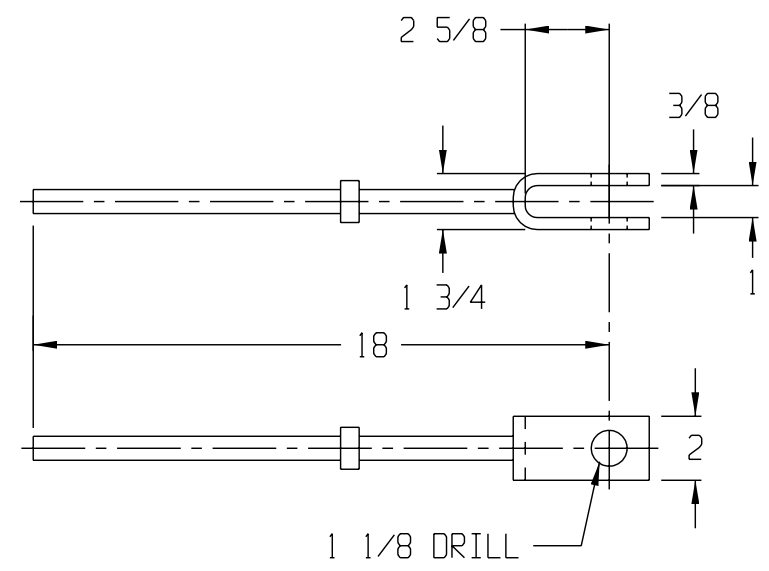
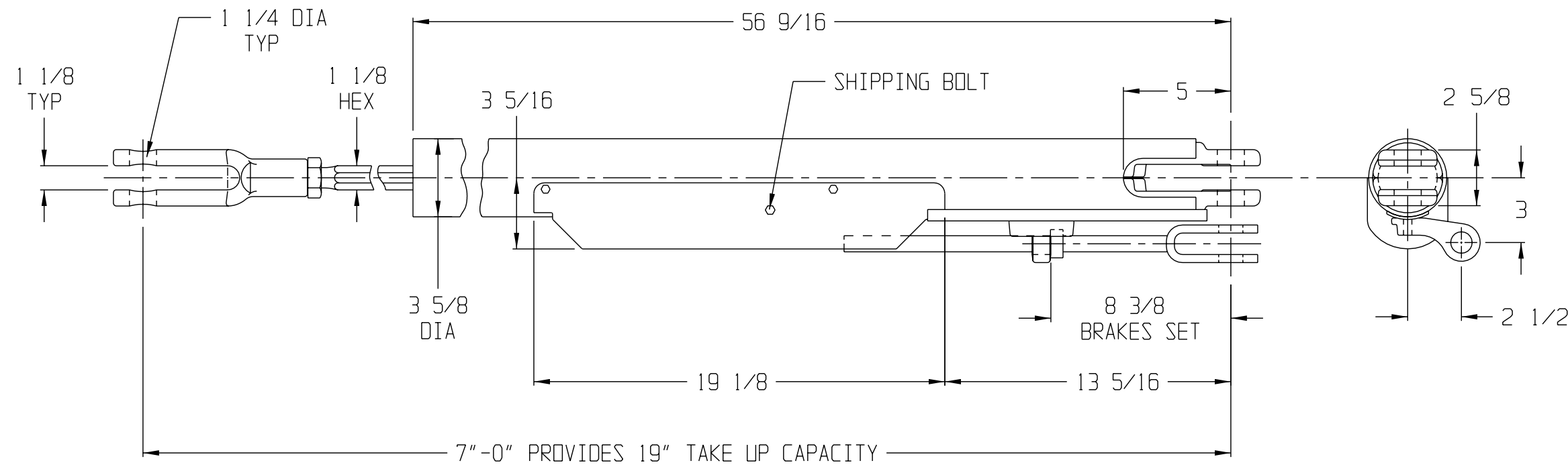


REVISIONS			
LTR	DATE	DESCRIPTION	BY
G	6-4-93	REDRAWN ON COMPUTER, GENERAL REVISIONS, RELEASED PER EDR 93-157	PAB




- NOTES- 1. UNITS NORMALLY SHIPPED AT 6' -9" LENGTH WHICH PROVIDES 16" TAKE-UP CAPACITY UNLESS OTHERWISE SPECIFIED
2. CARBUILDER SHOULD ALLOW A MINIMUM OF 1 INCH CLEARANCE BEYOND DIMENSIONS SHOWN.

CONTROL ROD ASSEMBLY
P/N 3896

PATENTED

COVERED BY A.A.R.
CERTIFICATE No. 10A

THIS DOCUMENT AND ITS CONTENTS CONTAIN CONFIDENTIAL AND PROPRIETARY INFORMATION OWNED BY ELLCON-NATIONAL, INC. AND IT AND ALL COPIES THEREOF ARE TO BE RETURNED TO ELLCON-NATIONAL WHEN SO REQUESTED. THIS DOCUMENT OR ANY PART THEREOF SHALL NOT BE REPRODUCED, COPIED, OR TRANSMITTED ELECTRONICALLY. THE INFORMATION CONTAINED HEREIN SHALL NOT BE DISCLOSED BY THE RECIPIENT TO OTHERS OR USED BY RECIPIENT WITHOUT THE PRIOR WRITTEN CONSENT SPECIFIC TO EACH CASE. ELLCON-NATIONAL, INC.

ELLCON		 NATIONAL <small>INC.</small>	
50 BEECHTREE BLVD.		GREENVILLE, S.C. 29605	
OUTLINE DIMENSIONS MODEL 2000-DJ SLACK ADJUSTER			
SCALE	2" = 1'-0"	DATE	1-7-69
DRAWN	MAR	B-4171	REV.
CHECKED	R		G