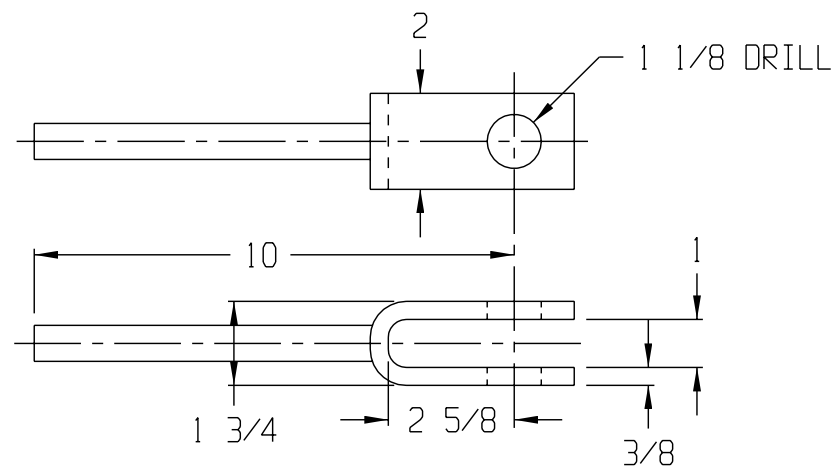
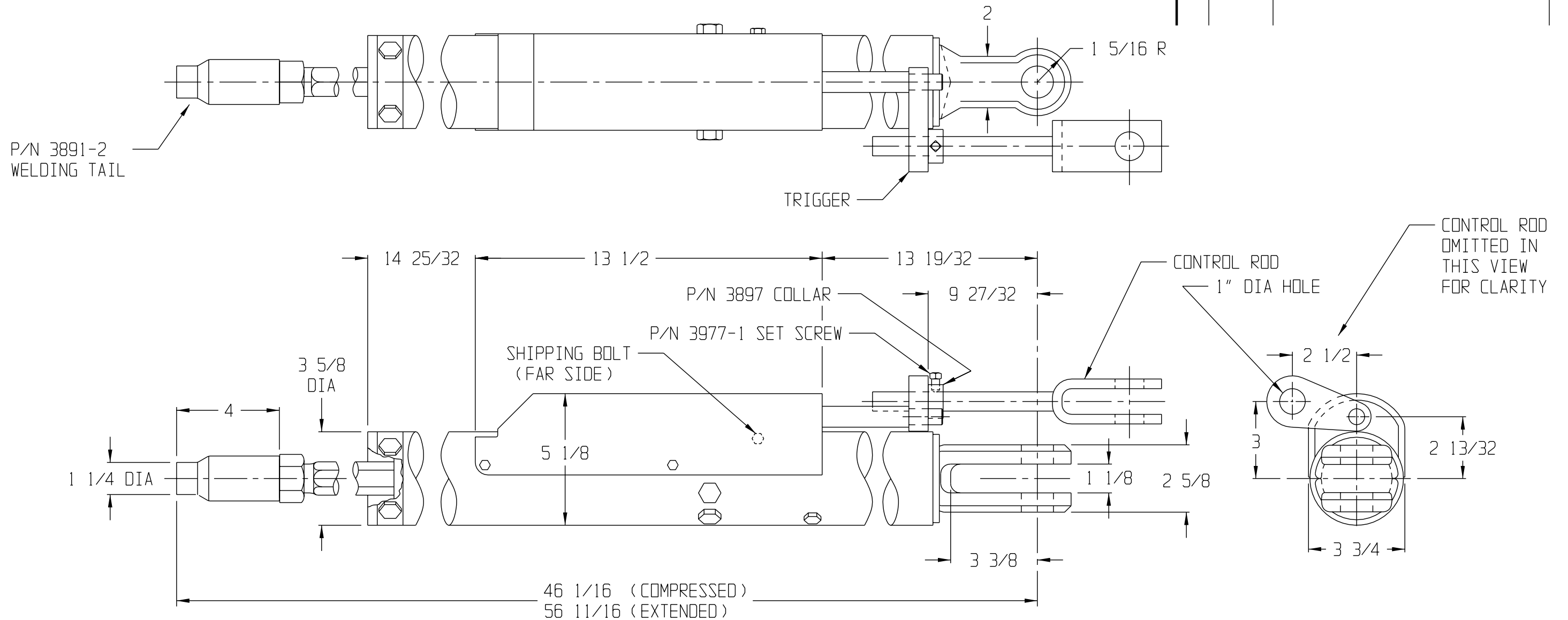


REVISIONS			
LTR	DATE	DESCRIPTION	BY
		ISSUED PER EDR 95-220	



NOTE:
 CARBUILDER SHOULD ALLOW A MINIMUM OF 1 INCH CLEARANCE BEYOND DIMENSIONS SHOWN.

P/N 9408 CONTROL ROD
 SCALE: 1/4 SIZE

ELLCON 50 BEECHTREE BLVD. <small>INC.</small>		 NATIONAL GREENVILLE, S.C. 29605	
OUTLINE DRAWING MODEL 9100-15-DJ SLACK ADJUSTER			
SCALE	3"=1'0"	DATE	12 APR 95
REV.			
DRAWN	D. CARROLL	B-33212	
CHECKED	WH		