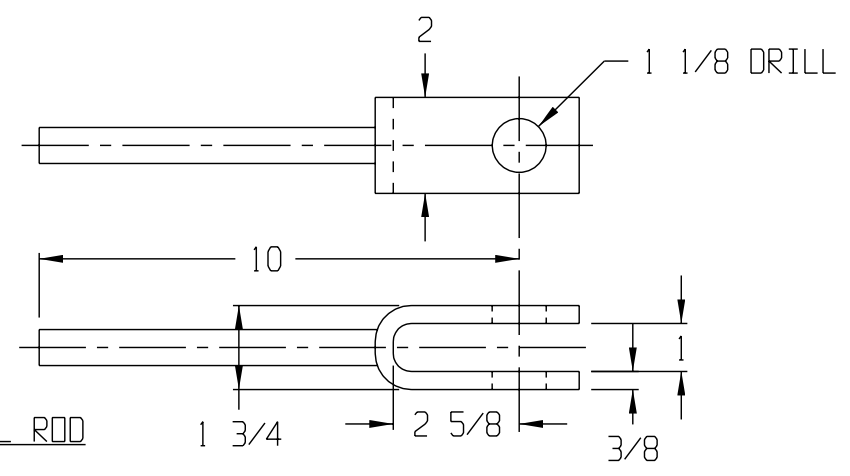
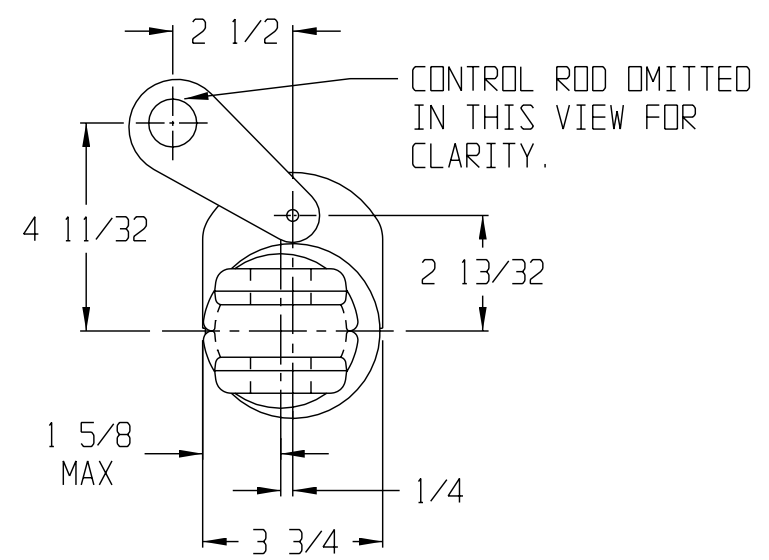
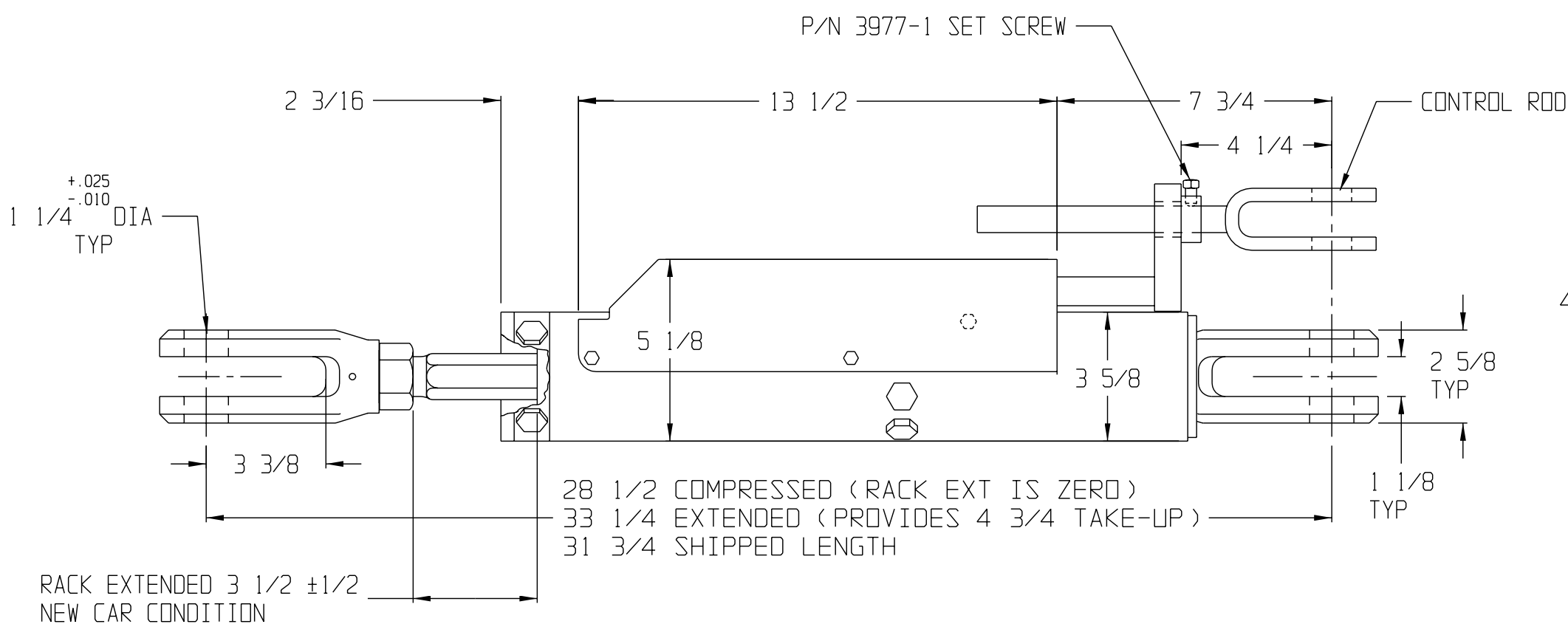
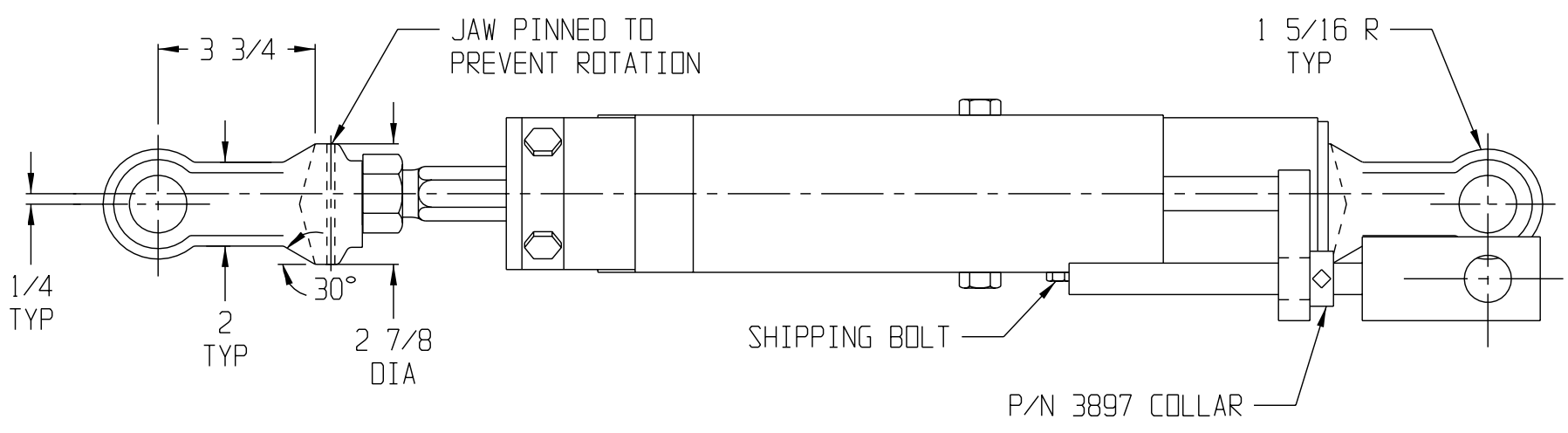


REVISIONS			
LTR	DATE	DESCRIPTION	BY
F	6-8-93	REDRAWN ON COMPUTER, GENERAL REVISIONS, RELEASED PER EDR 93-157	PAB
G	8-16-95	REV'D PICT. OF TRIGGER PER DETAIL, ADDED 9408 CONT. ROD DETAIL & DIM'S & 3897 COLLAR & 3977-1 SET SCREW. EDR 95-453	WH
H	6-24-97	CORRECTED END VIEW, ROTATED PART 180°, PER ECN #372	PAB



TOLERANCES AND FINISHES UNLESS OTHERWISE NOTED
 DECIMALS .XX ±
 DECIMALS .XXX ±
 ANGLES ±
 FRACTIONS ±
 DRILLED HOLE DIAMETERS
 BREAK ALL SHARP CORNERS AND EDGES
 C/SK ALL TAPPED HOLES 118° x ONE THREAD DEEP
 MACHINED SURFACES 125✓

ELLCON  NATIONAL
 50 BEECHTREE BLVD. GREENVILLE, S.C. 29605

OUTLINE DRAWING
 MODEL 9100-DJ
 SLACK ADJUSTER

	9100-DJ
NEXT ASS'Y	USED ON
THIS DOCUMENT AND ITS CONTENTS CONTAIN CONFIDENTIAL AND PROPRIETARY INFORMATION OWNED BY ELLCON-NATIONAL, INC. AND IT AND ALL COPIES THEREOF ARE TO BE RETURNED TO ELLCON-NATIONAL WHEN SO REQUESTED. THIS DOCUMENT OR ANY PART THEREOF SHALL NOT BE REPRODUCED, COPIED, OR TRANSMITTED ELECTRONICALLY. THE INFORMATION CONTAINED HEREIN SHALL NOT BE DISCLOSED BY THE RECIPIENT TO OTHERS OR USED BY RECIPIENT WITHOUT THE PRIOR WRITTEN CONSENT SPECIFIC TO EACH CASE. ELLCON-NATIONAL, INC.	

SCALE	1/4	DATE	1-19-84	REV.	
DRAWN	RGC	B-9398		H	
CHECKED	DMS				