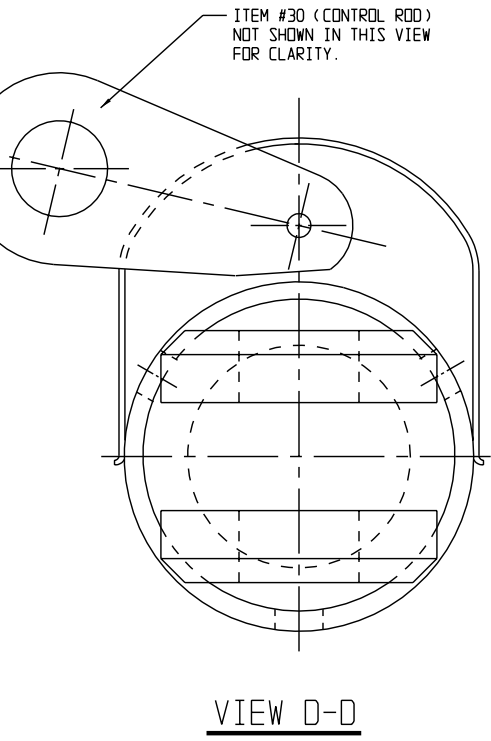
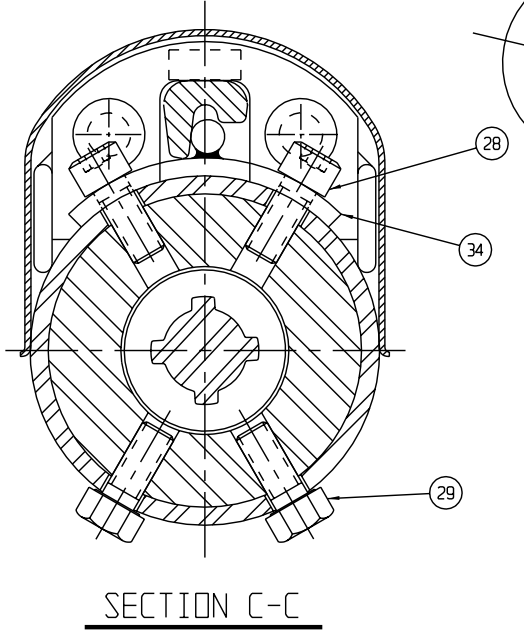
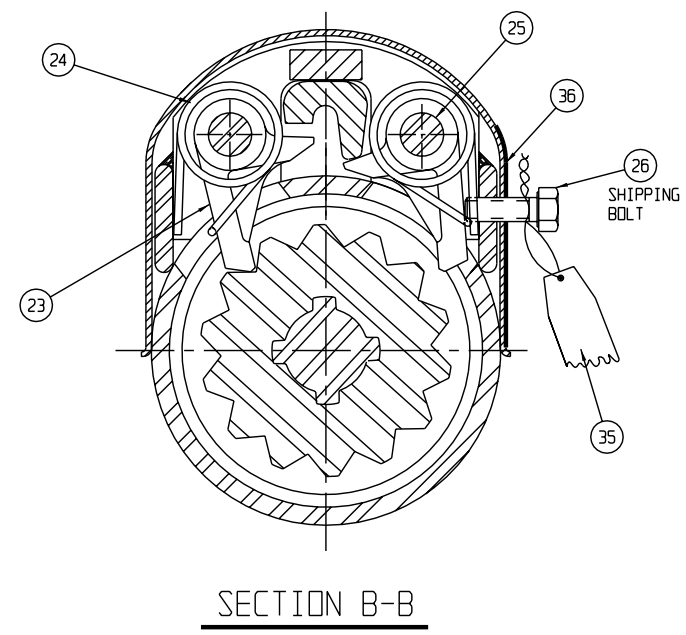
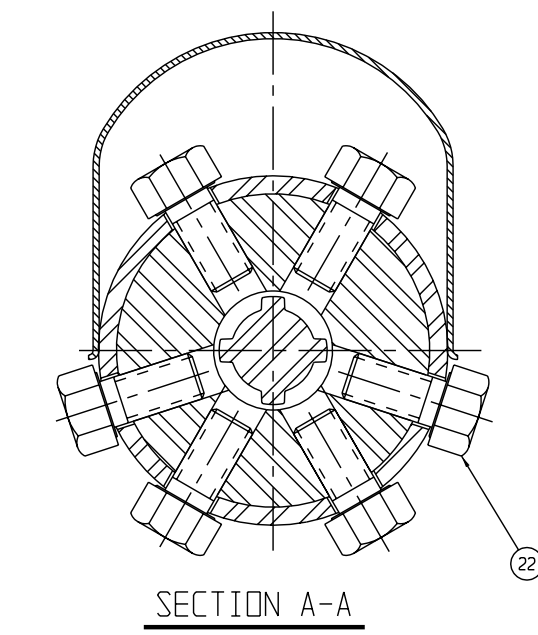
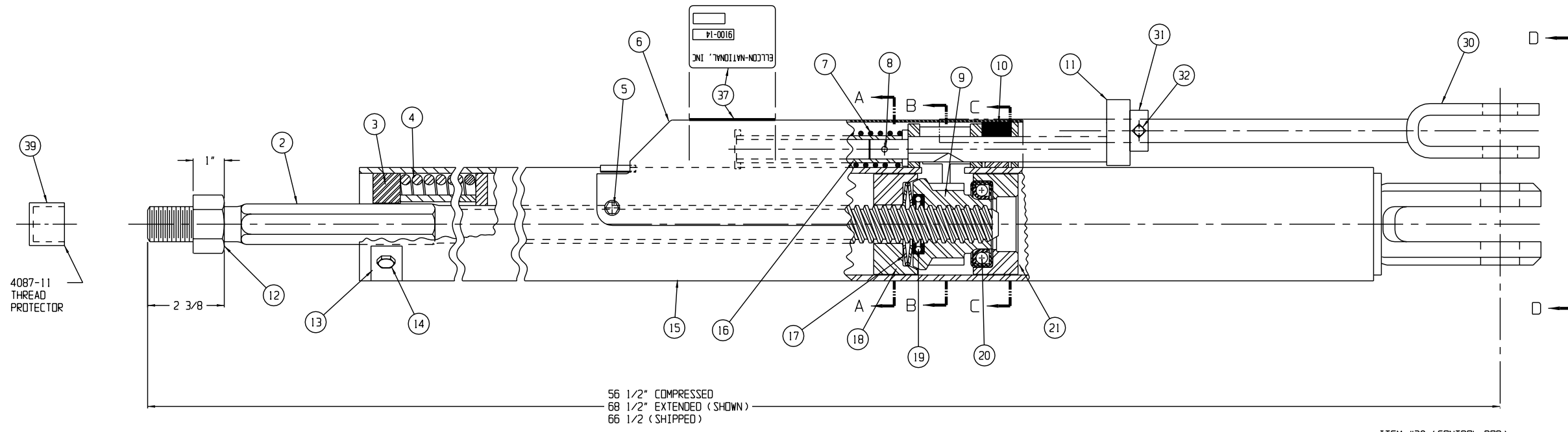


REVISIONS			
LTR	DATE	DESCRIPTION	BY
A	7-18-95	ISSUES SHEET PER SECTION 8B-210 REV'D ITEM 1. JAW P/N 30402; ADDED ITEM 39 PLASTIC PROTECTOR P/N 4087-11; ITEM 12 NUT P/N WAS 3443-2; IN VIEW D-D: REV'D PICTURE OF TRIGGER; 56 1/2 COMP. WAS 60; 68 1/2 EXT. WAS 72; ADDED 66 1/2 SHIPPED; ADDED SHIPPING NOTE. PER EDR 95-355	DAC
B	9-26-95	IT. 30 3896 WAS 9408; IT. 30 BROUGHT TO SCALE AT K5. EDR 95-527	WH
C	8-14-96	UPDATED SECTION 8-B, C-C & VIEW D-D. EDR 96-419.	PL

REFERENCE DRAWING  
IDENTIFICATION OF PARTS - DWG NO. DX-9100-14



1	4087-11	PLASTIC PROTECTOR	39
1	4087-8	PLASTIC PROTECTOR	38
1	9356	NAMEPLATE	37
1	9598	WARNING STICKER	36
1	4001	SHIPPING TAG	35
1	9590	CAMMING BAR GUIDE ASS'Y	34
			33
1	3977-1	SQUARE HEAD SET SCREW	32
1	3897	COLLAR	31
1	3896	CONTROL ROD ASSY	30
2	3442-10	SCREW	29
2	3296-4	SCREW	28
			27
1	3442-27	SHIPPING BOLT	26
2	1807-B	PAWL SHAFT	25
2	1817	PAWL SPRING	24
2	1815-A	PAWL	23
6	3442-11	SCREW	22
1	3948	BEARING COLLAR (FRONT)	21
1	1836	BEARING	20
1	5863	BEARING (TYPE A)	19
1	5741	BEARING COLLAR (REAR)	18
2	5739	SPRING WASHER	17
1	9393	CAMMING BAR EXTENSION	16
1	30740	HOUSING ASSY	15
4	3442-12	SCREW	14
2	1611-B	RETAINER	13
1	3443-60	NUT	12
1	30410	TRIGGER ASSY (CAMMING BAR INC.)	11
1	9406	FELT	10
1	5742	NUT	9
1	3206-20	GROOVE PIN	8
1	9392	ACTUATOR SPRING	7
1	9425	COVER ASSY	6
4	3978-1	SCREW	5
1	1945	LOAD SPRING	4
1	3888	RETAINER	3
1	33206	SCREW ASSY	2
			1
QTY	PART NO.	DESCRIPTION	ITEM

**SHIPPING NOTE:**  
WHEN ADJUSTING OVERALL TO SHIPPING LENGTH, ASSEMBLE JAW P/N 30402 IN PLACE AND THEN ADJUST TO 70" (C HOLE TO C HOLE) AND APPLY SHIPPING BOLT. THEN REMOVE P/N 30402 JAW AND APPLY PLASTIC THREAD PROTECTOR (P/N 4087-11).

THIS DOCUMENT AND ITS CONTENTS CONTAIN CONFIDENTIAL AND PROPRIETARY INFORMATION OWNED BY ELLCON-NATIONAL, INC. AND IT AND ALL COPIES THEREOF ARE TO BE RETURNED TO ELLCON-NATIONAL WHEN SO REQUESTED. THIS DOCUMENT OR ANY PART THEREOF SHALL NOT BE REPRODUCED, COPIED, OR TRANSMITTED ELECTRONICALLY. THE INFORMATION CONTAINED HEREIN SHALL NOT BE DISCLOSED BY THE RECIPIENT TO OTHERS OR USED BY RECIPIENT WITHOUT THE PRIOR WRITTEN CONSENT SPECIFIC TO EACH CASE. ELLCON-NATIONAL, INC.

**ELLCON NATIONAL**  
50 BEECHTREE BLVD. GREENVILLE, S.C. 29605

**ASSEMBLY**  
MODEL 9100-14  
SLACK ADJUSTER

SCALE 1/2 & 1/1 DATE 4-5-95 REV.

DRAWN WH  
CHECKED DMS

D-9100-14