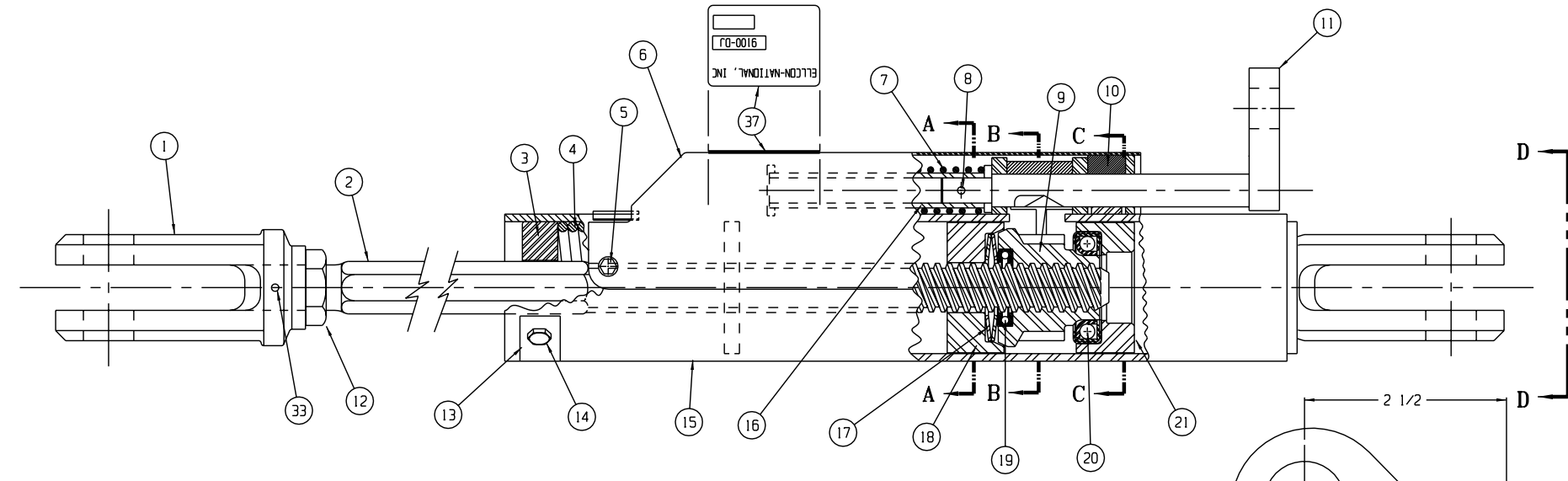
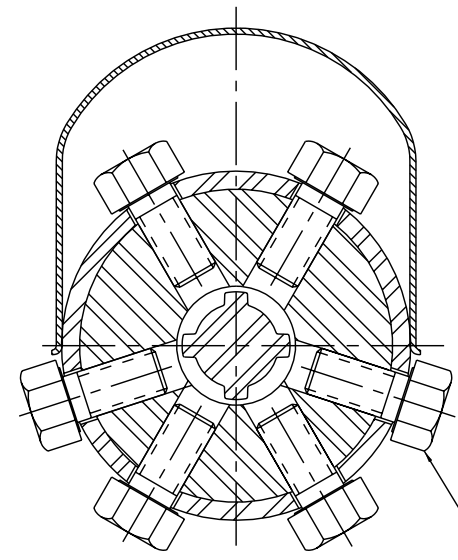


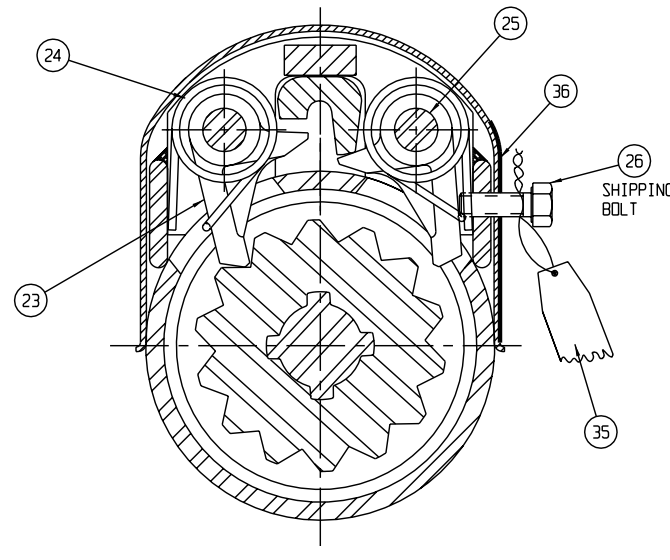
REVISIONS			
LTR	DATE	DESCRIPTION	BY
A	8-16-95	REDESIGNED/REPLACED TRIGGER DIM'S IN VIEW D-D. REV'D PICT. OF TRIGGER TO AGREE WITH DETAILS. EOR 95-453	WH
B	8-12-96	UPDATED SECTION B-B, C-C & TRIGGER IN VIEW D-D. DIM 4 11/32 WAS 4 7/16. PER EOR 96-414.	PL



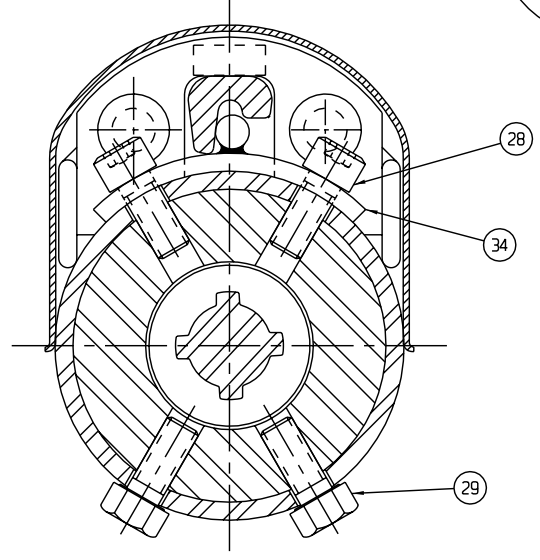
REFERENCE DRAWING
IDENTIFICATION OF PARTS - DWG NO. DX-9100-1



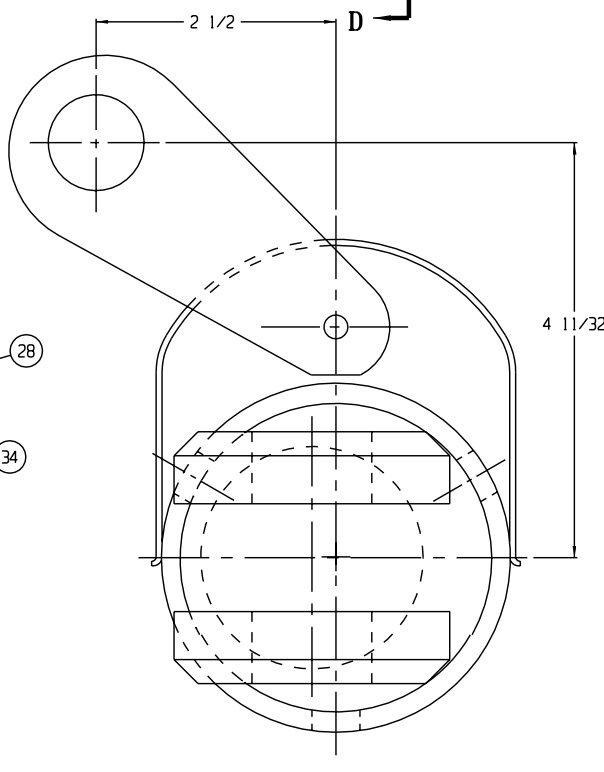
SECTION A-A



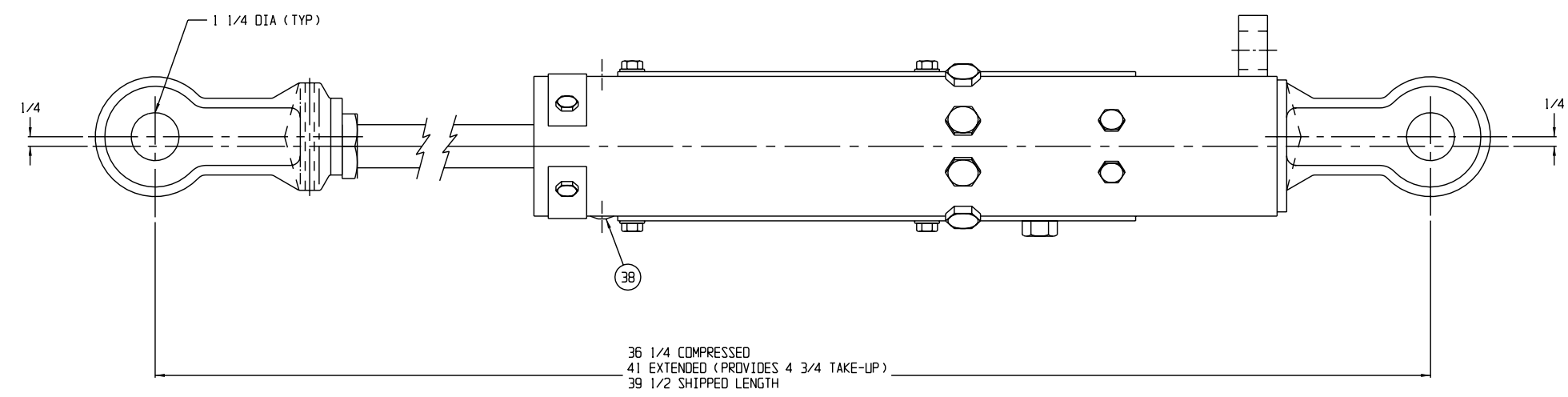
SECTION B-B



SECTION C-C



VIEW D-D



36 1/4 COMPRESSED
41 EXTENDED (PROVIDES 4 3/4 TAKE-UP)
39 1/2 SHIPPED LENGTH

1	4087-8	PLASTIC PROTECTOR	38
1	9356	NAMEPLATE	37
1	9598	WARNING STICKER	36
1	4001	SHIPPING TAG	35
1	9590	CAMMING BAR GUIDE ASS'Y	34
1	3297-43	ROLL PIN	33
1	3977-1	SCREW (NOT SHOWN)	32
1	3897	COLLAR (NOT SHOWN)	31
1	9408	CONTROL ROD ASSY (NOT SHOWN)	30
2	3442-10	SCREW	29
2	3296-4	SCREW	28
			27
1	3442-27	SHIPPING BOLT	26
2	1807-B	PAWL SHAFT	25
2	1817	PAWL SPRING	24
2	1815-A	PAWL	23
6	3442-11	SCREW	22
1	3948	BEARING COLLAR (FRONT)	21
1	1836	BEARING	20
1	5863	BEARING (TYPE A)	19
1	5741	BEARING COLLAR (REAR)	18
2	5739	SPRING WASHER	17
1	9393	CAMMING BAR EXTENSION	16
1	9420	HOUSING ASSY	15
4	3442-12	SCREW	14
2	1611-B	RETAINER	13
1	3443-2	NUT	12
1	9591	TRIGGER ASSY (CAMMING BAR INC.)	11
1	9406	FELT	10
1	5742	NUT	9
1	3206-20	GROOVE PIN	8
1	9392	ACTUATOR SPRING	7
1	9425	COVER ASSY	6
4	3978-1	SCREW	5
1	9387	LOAD SPRING	4
1	3888	RETAINER	3
1	30240	SCREW ASSY	2
1	9401	JAW	1

QTY	PART NO.	DESCRIPTION	ITEM
-----	----------	-------------	------

BILL OF MATERIAL
ELLCON NATIONAL
50 BEECHTREE BLVD. GREENVILLE, S.C. 29605

ASSEMBLY
MODEL 9100-1
SLACK ADJUSTER

SCALE 1/2 & 1/1	DATE 10-21-85	REV.
DRAWN DM	CHECKED DMS	D-9100-1 B

THIS DOCUMENT AND ITS CONTENTS CONTAIN CONFIDENTIAL AND PROPRIETARY INFORMATION OWNED BY ELLCON-NATIONAL, INC. AND IT AND ALL COPIES THEREOF ARE TO BE RETURNED TO ELLCON-NATIONAL WHEN SO REQUESTED. THIS DOCUMENT OR ANY PART THEREOF SHALL NOT BE REPRODUCED, COPIED, OR TRANSMITTED ELECTRONICALLY. THE INFORMATION CONTAINED HEREIN SHALL NOT BE DISCLOSED BY THE RECIPIENT TO OTHERS OR USED BY RECIPIENT WITHOUT THE PRIOR WRITTEN CONSENT SPECIFIC TO EACH CASE. ELLCON-NATIONAL, INC.

NEXT ASS'Y USED ON