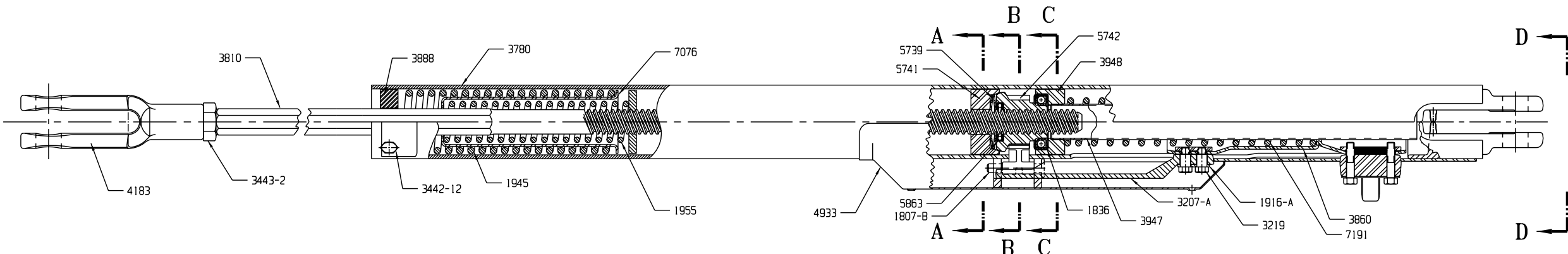


# PEACOCK SLACK ADJUSTER

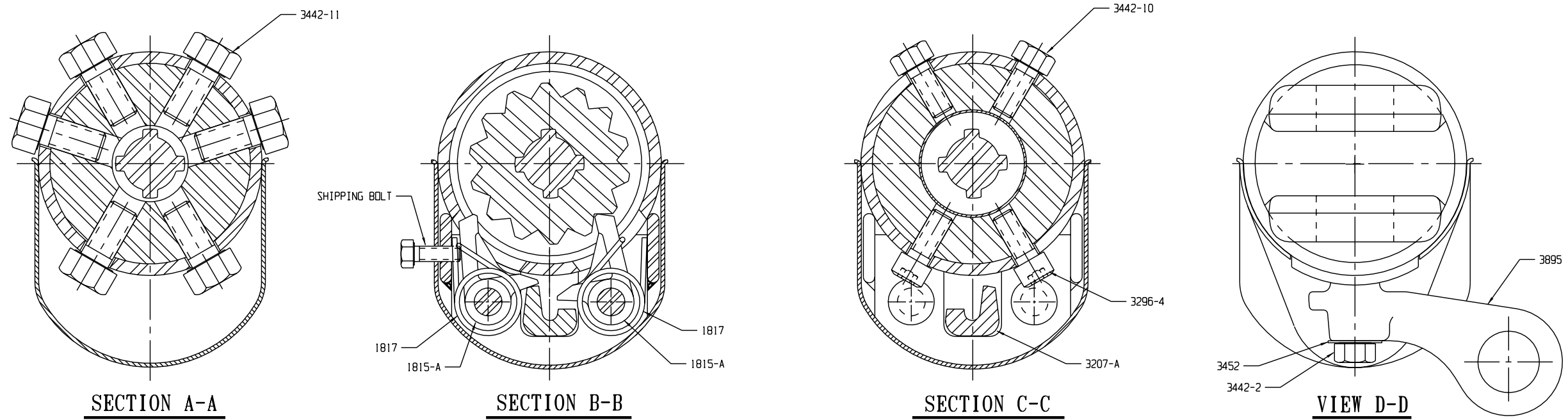
MECHANICAL DOUBLE ACTING TYPE  
MODEL 2000 - D.J.

REVISIONS			
LTR	DATE	DESCRIPTION	BY
P	7-23-93	REDRAWN ON CAD	
Q	12-9-94	REMOVED CENTER HOLE FROM P/N'S 3860 & 3452. PER EDR 94-625	PAB



**NOTES**

- △ PART 3442-11 BEARING COLLAR REAR SCREW MUST BE A 1/2-13 NC-2 BY 1" LONG GRADE 8 VIBRESIST HEX. HEAD CAP SCREW OR EQUAL.
- △ PRIOR TO 2-1-71 ADJUSTERS WERE FURNISHED WITH FOUR 3442-11 BEARING COLLAR SCREWS, AND WITH 3913 COVER, BUT WITHOUT 4794 TRIGGER CAP.



QTY	PART NO.	DESCRIPTION	ITEM
1	3780	HOUSING ASSEMBLY	
1	4933	COVER	
4	3978-1	SCREW	
1	3860	ACTUATOR ASSEMBLY	
1	3895	TRIGGER	
2	3442-2	SCREW	
1	3452	RETAINER	
1	3207-A	CAMMING BAR	
2	3219	SCREW	
1	1916-A	RETAINER	
1	7191	SPRING	
1	4794	TRIGGER CAP	
1	3810	SCREW ASSEMBLY	
1	3947	SCREW COVER	
1	1945	LOAD SPRING - OUTER	
1	1955	LOAD SPRING - INNER	
1	7076	SPRING POSITIONER	
1	3888	RETAINER	
4	3442-12	SCREW	
2	7165	RETAINER	
1	4183	JAW	
1	3443-2	NUT	
1	1815-A	PAWL - LOAD	
1	1815-A	PAWL - HOLDING	
2	1807-B	PAWL SHAFT	
2	1817	PAWL SPRING	
1	3948	BEARING COLLAR - FRONT	
2	3296-4	SCREW	
2	3442-10	SCREW	
1	5741	BEARING COLLAR - REAR	
6	3442-11	SCREW	
1	5742	NUT	
1	1836	BEARING	
1	5863	BEARING	
2	5739	SPRING WASHER	
1	3442-27	SHIPPING BOLT	
1	3896	CONTROL ROD (NOT SHOWN)	
1	3897	COLLAR	
1	3977-1	SCREW	

COVERED BY  
A.A.R. CERTIFICATE  
NO. 10A

PATENTED

REFERENCE DWGS.:  
IDENTIFICATION OF PARTS-  
DWG. NO. DX-2000,  
OUTLINE DIMENSIONS DWGS.  
MODEL 2000-DJ B-4171  
MODEL 2000-1-DJ B-4171-1

THIS DOCUMENT AND ITS CONTENTS CONTAIN CONFIDENTIAL AND PROPRIETARY INFORMATION OWNED BY ELLCON-NATIONAL, INC. AND IT AND ALL COPIES THEREOF ARE TO BE RETURNED TO ELLCON-NATIONAL WHEN SO REQUESTED. THIS DOCUMENT OR ANY PART THEREOF SHALL NOT BE REPRODUCED, COPIED, OR TRANSMITTED ELECTRONICALLY. THE INFORMATION CONTAINED HEREIN SHALL NOT BE DISCLOSED BY THE RECIPIENT TO OTHERS OR USED BY RECIPIENT WITHOUT THE PRIOR WRITTEN CONSENT SPECIFIC TO EACH CASE. ELLCON-NATIONAL, INC.

ADJUSTER SHOWN IN BRAKES RELEASED POSITION

**ELLCON NATIONAL**  
50 BEECHTREE BLVD. GREENVILLE, S.C. 29605

**ASSEMBLY**  
MODEL 2000-DJ  
SLACK ADJUSTER

SCALE 4" = 1'-0" DATE 4-12-68 REV.

DRAWN IC CHECKED **D-2000**