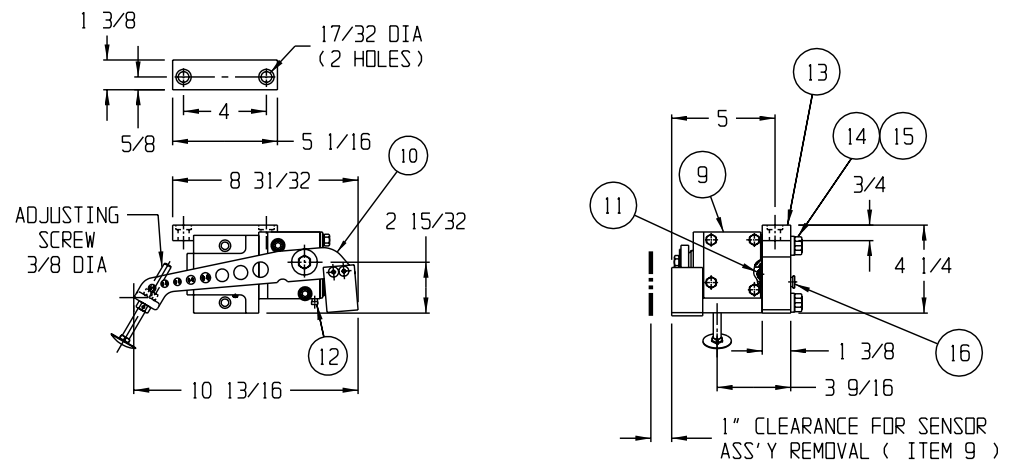
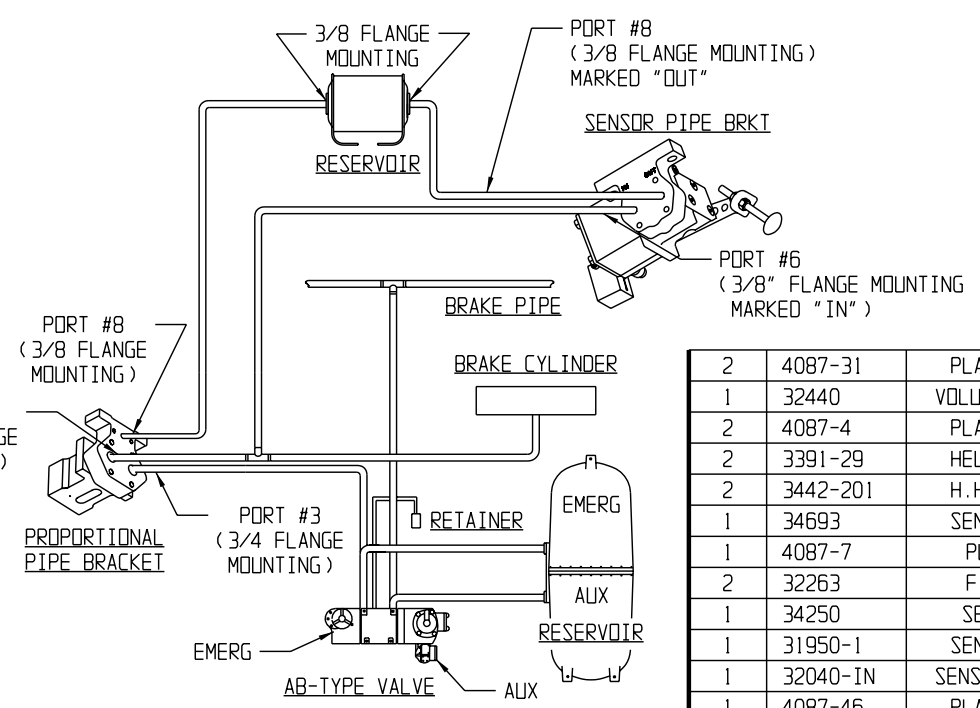
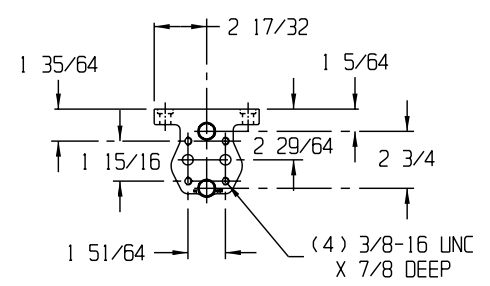


REVISIONS			
LTR	DATE	DESCRIPTION	BY
		ISSUED PER ECN 4341	
A	05/23/03	P/N 32040-IN: PIPE BRKT END VIEW REDRAWN TO REFLECT DESIGN CHANGES - PER ECN 4847	DAC
B	11-14-03	REVISED BOM; ADDED BALLOON PER ECN #5330	SBS
C	12-05-03	6" DIM WAS 5 3/4 (AT HB); DELETED 1 1/2 REMOVAL CLEARANCE NOTE. PER ECN #5352	PS
D	04/19/05	PICTORIALLY UPDATED ARM ASSY (ITEM 10) TO SHOW REV'D C'WT & ADJ. SCREW; DIM 5 WAS 4 29/32 @HB PER ECN 6177	DAC
E	5/31/05	ITEM 1: 35145 WAS 32029 PER ECN 6178	DAC
F	10/13/05	ADDED ITEM 12 PLASTIC PROTECTOR & REV'D BOM; BALLOONS & NOTES TO AGREE; RMVD BOTTOM VIEW OF SIDE CAP (WITH TAPE) PER ECN 6545	DAC

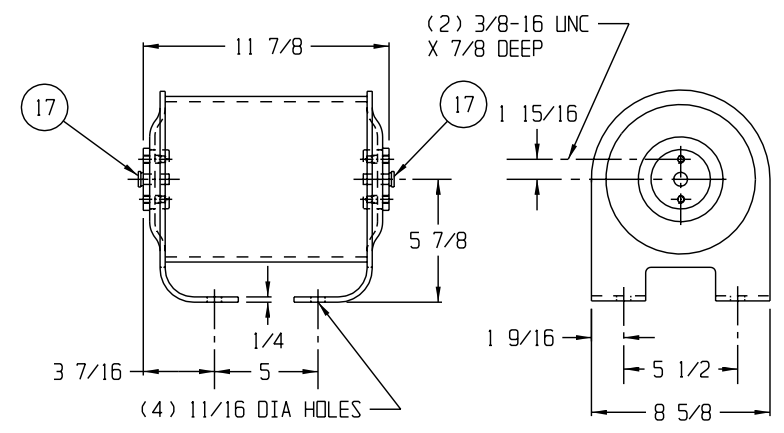
NOTE:  
 1. SENSOR ASS'Y, PROPORTIONAL ASSY AND RESERVOIR TO BE COATED WITH A BLACK, WATER REDUCIBLE PRIMER.  
 2. CUSTOMER TO REMOVE ALL (8) PLASTIC PROTECTORS AFTER CAR BLASTING AND BEFORE AIR TESTING.



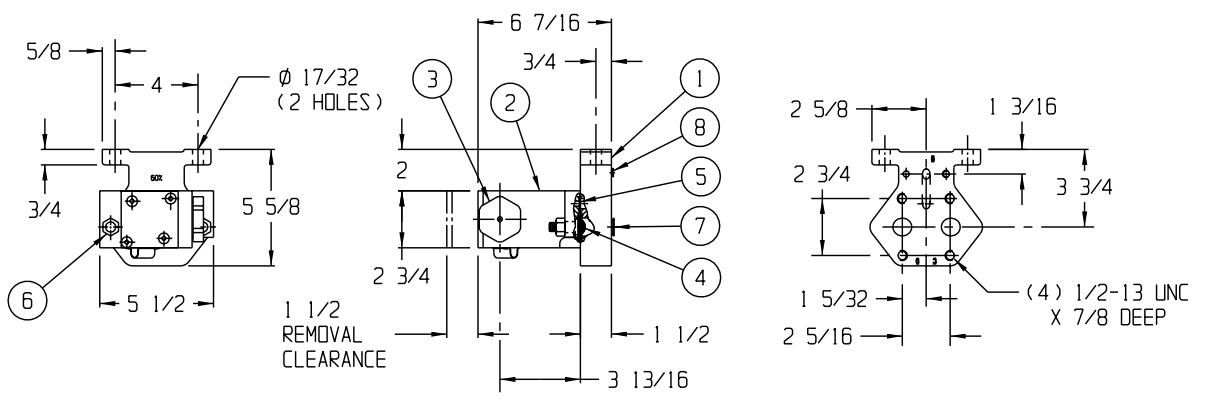
**PART No 32040-IN SENSOR VALVE AND PIPE BRACKET ASSEMBLY**  
 1.25 CU. IN. LOADED- 2.25 CU. IN. EMPTY EST. WT. 9.7 LBS.  
 SCALE: 2"=1'-0"



**MODEL 6600-3 EMPTY/LOAD VALVE INSTALLATION**  
 SCALE: NONE



**PART No 32440 - VOLUME RESERVOIR**  
 435 CU. IN. EST WT = 11.7 LBS  
 SCALE: 2"=1'-0"



**PART No 32050 - PROPORTIONAL VALVE & PIPE BRACKET ASSY.**  
 4.5 CU. IN. LOADED 6.25 CU. IN. EMPTY EST WT = 7.3 LBS  
 SCALE: 2"=1'-0"

QTY	PART No.	DESCRIPTION	ITEM
2	4087-31	PLASTIC PROTECTOR (FOR SHIPPING)	17
1	32440	VOLUME RESERVOIR	16
2	4087-4	PLASTIC PROTECTOR (FOR SHIPPING)	16
2	3391-29	HELICAL SPRING LW. 1/2	15
2	3442-201	H.H.C.S. 1/2-13 x 2 1/4	14
1	34693	SENSOR PIPE BRACKET	13
1	4087-7	PLASTIC PROTECTOR (FOR SHIPPING)	12
2	32263	FILTER WASHER	11
1	34250	SENSOR ARM ASSY	10
1	31950-1	SENSOR ASSEMBLY	9
1	32040-IN	SENSOR VALVE AND PIPE BRACKET ASSEMBLY	8
1	4087-46	PLASTIC PROTECTOR (FOR SHIPPING)	8
2	4087-29	PLASTIC PROTECTOR (FOR SHIPPING)	7
2	31076-1	STOVER LOCKNUT, 1/2-13, ZINC PLATED	6
1	3918-70	O-RING	5
2	32244	FILTER WASHER	4
1	32020	INDICATOR ASSEMBLY	3
1	31800	PROPORTIONAL VALVE ASSEMBLY	2
1	35145	PROPORTIONAL VALVE PIPE BRACKET ASSY	1
1	32050	PROPORTIONAL VALVE AND PIPE BRACKET ASSY	1
1	6600-3	EMPTY/LOAD DEVICE	1

BILL OF MATERIAL

**ELLCON NATIONAL**  
 50 BEECHTREE BLVD. GREENVILLE, S.C. 29605

**MODEL 6600-3**  
**60% EMPTY/LOAD DEVICE**

AAR APPROVED

THIS DOCUMENT AND ITS CONTENTS CONTAIN CONFIDENTIAL AND PROPRIETARY INFORMATION OWNED BY ELLCON-NATIONAL, INC. AND IT AND ALL COPIES THEREOF ARE TO BE RETURNED TO ELLCON-NATIONAL WHEN SO REQUESTED. THIS DOCUMENT OR ANY PART THEREOF SHALL NOT BE REPRODUCED, COPIED, OR TRANSMITTED ELECTRONICALLY. THE INFORMATION CONTAINED HEREIN SHALL NOT BE DISCLOSED BY THE RECIPIENT TO OTHERS OR USED BY RECIPIENT WITHOUT THE PRIOR WRITTEN CONSENT SPECIFIC TO EACH CASE. ELLCON-NATIONAL, INC.

SCALE AS NOTED	DATE 5-13-02	REV.
DRAWN JLF	C-6600-3	F
CHECKED DMS		