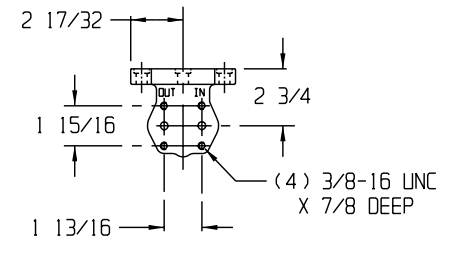
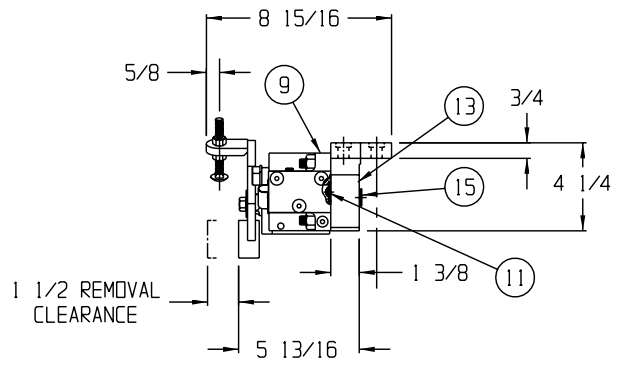
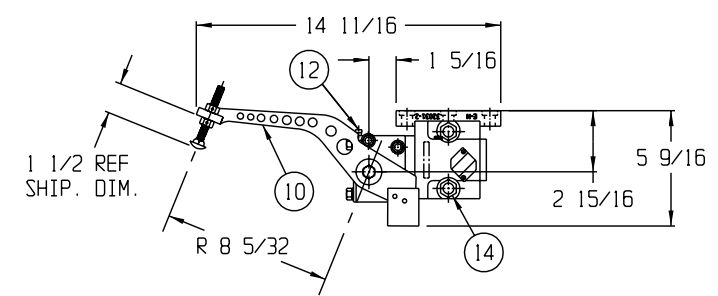
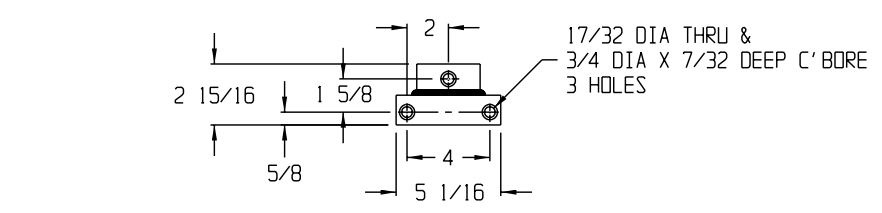
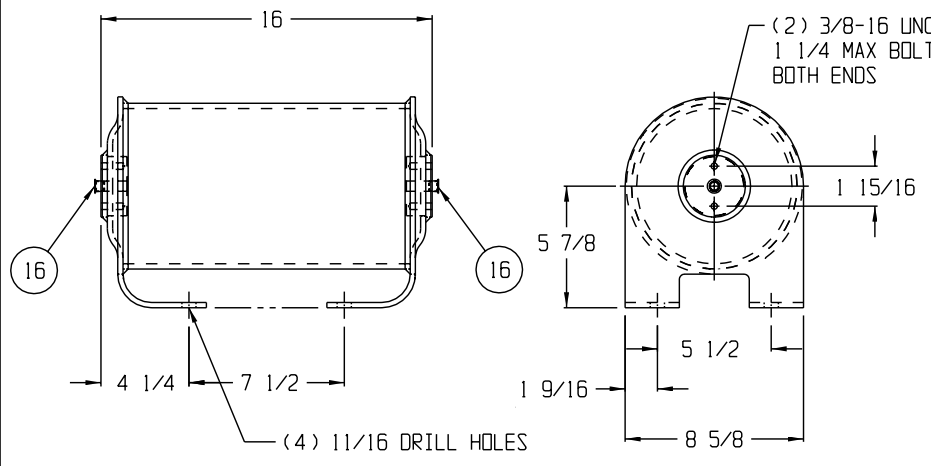


REVISIONS			
LTR	DATE	DESCRIPTION	BY
	8/17/04	ISSUED PER ECN 5790	DAC
A	2/21/05	P/N 34480 MOVED MTG HOLES: 1/2 WAS 5/8 & 4 1/4 WAS 4; ADDED 50% LETTERING TO PIPE BRACKET PER ECN 6055	DAC
B	5/27/05	ITEM 1: 35155 WAS 34688 & ITEM 12: 35165 WAS 32031-2 PER ECN 6178	DAC
C	10/13/05	ADDED ITEM 12 PLASTIC PROTECTOR & REV'D BOM, BALLONS & NOTES TO AGREE; RMVD BOTTOM VIEW OF SIDE CAP (WITH TAPE) PER ECN 6545	DAC

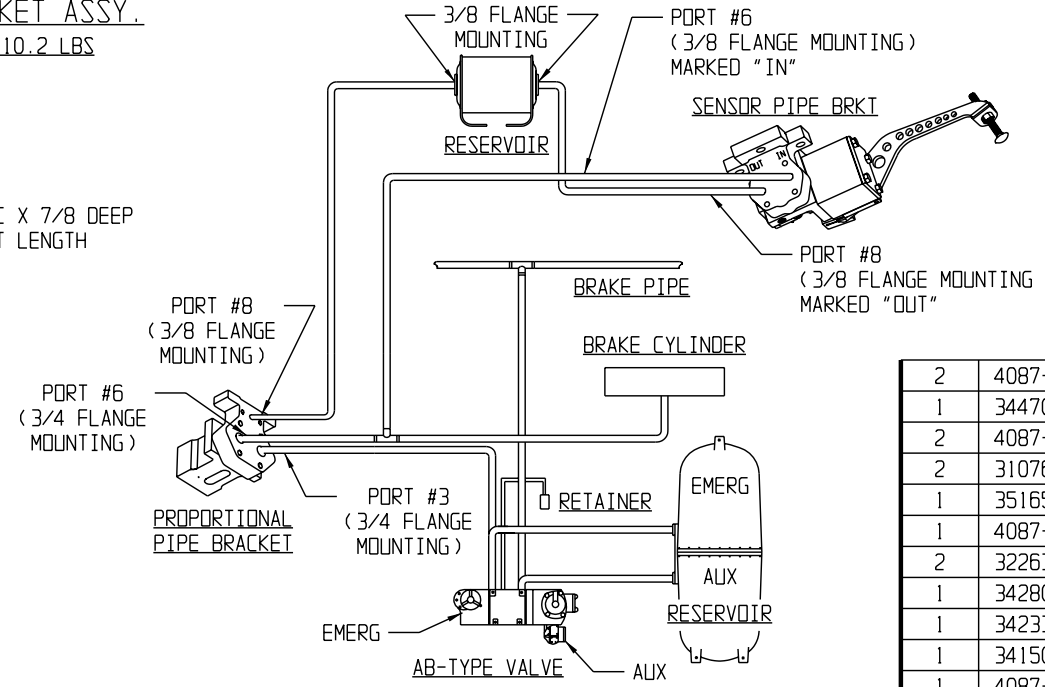
- NOTE:
1. SENSOR ASS'Y, PROPORTIONAL ASSY AND RESERVOIR TO BE COATED WITH A BLACK, WATER REDUCIBLE PRIMER.
 2. CUSTOMER TO REMOVE ALL (8) PLASTIC PROTECTORS AFTER CAR BLASTING AND BEFORE AIR TESTING.
 3. MOUNTING HEIGHT: 5 1/4" MIN TO 6" MAX FROM UPPER EDGE OF PIPE BRACKET TO SIDE FRAME. CONTACT E-N ENG'G FOR APPROVAL IF APPLICATION IS NOT IN RECOMMENDED RANGE.



PART No 34150 - SENSOR VALVE & PIPE BRACKET ASSY.
1.25 CU.IN. LOADED 2.25 CU.IN. EMPTY EST WT = 10.2 LBS
SCALE: 2"=1'-0"



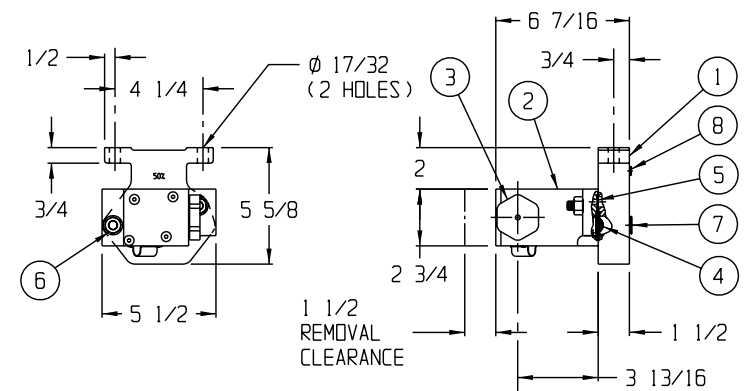
PART No 34470 - VOLUME RESERVOIR
625 CU.IN. EST WT = 14.4 LBS
SCALE: 2"=1'-0"



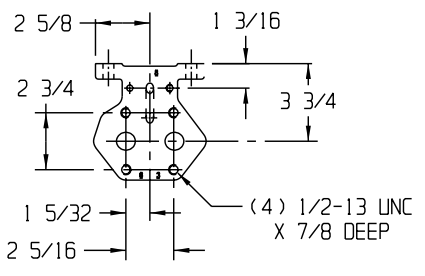
MODEL 6600-2/50 EMPTY/LOAD VALVE INSTALLATION
SCALE: NONE

QTY	PART No.	DESCRIPTION	ITEM
2	4087-31	PLASTIC PROTECTOR (FOR SHIPPING)	16
1	34470	VOLUME RESERVOIR	1
2	4087-4	PLASTIC PROTECTOR (FOR SHIPPING)	15
2	31076-1	STOVER LOCKNUT, 1/2-13, ZINC PLATED	14
1	35165	SENSOR PIPE BRACKET ASSY	13
1	4087-7	PLASTIC PROTECTOR (FOR SHIPPING)	12
2	32263	FILTER WASHER	11
1	34280	SENSOR ARM ASSY	10
1	34233	SENSOR ASSEMBLY	9
1	34150	SENSOR VALVE AND PIPE BRACKET ASSEMBLY	8
1	4087-46	PLASTIC PROTECTOR (FOR SHIPPING)	7
2	4087-29	PLASTIC PROTECTOR (FOR SHIPPING)	6
2	31076-1	STOVER LOCKNUT, 1/2-13, ZINC PLATED	5
1	3918-70	O-RING	4
2	32244	FILTER WASHER	3
1	32020	INDICATOR ASSEMBLY	2
1	34450	PROPORTIONAL VALVE ASSEMBLY	1
1	35155	PROPORTIONAL PIPE BRACKET ASSY	1
1	34480	PROPORTIONAL VALVE AND PIPE BRACKET ASSY	1
	6600-2/50	EMPTY/LOAD DEVICE	

BILL OF MATERIAL



PART No 34480 - PROPORTIONAL VALVE & PIPE BRACKET ASSY.
4.5 CU.IN. LOADED 6.25 CU.IN. EMPTY EST WT = 7.3 LBS
SCALE: 2"=1'-0"



ELLCON NATIONAL
50 BEECHTREE BLVD. GREENVILLE, S.C. 29605

AAR APPROVED

MODEL 6600-2/50
50% EMPTY/LOAD DEVICE

THIS DOCUMENT AND ITS CONTENTS CONTAIN CONFIDENTIAL AND PROPRIETARY INFORMATION OWNED BY ELLCON-NATIONAL, INC. AND IT AND ALL COPIES THEREOF ARE TO BE RETURNED TO ELLCON-NATIONAL WHEN SO REQUESTED. THIS DOCUMENT OR ANY PART THEREOF SHALL NOT BE REPRODUCED, COPIED, OR TRANSMITTED ELECTRONICALLY. THE INFORMATION CONTAINED HEREIN SHALL NOT BE DISCLOSED BY THE RECIPIENT TO OTHERS OR USED BY RECIPIENT WITHOUT THE PRIOR WRITTEN CONSENT SPECIFIC TO EACH CASE. ELLCON-NATIONAL, INC.

SCALE AS NOTED	DATE 8/13/04	REV.
DRAWN D. CARROLL	C-6600-2/50	
CHECKED DMS	C	