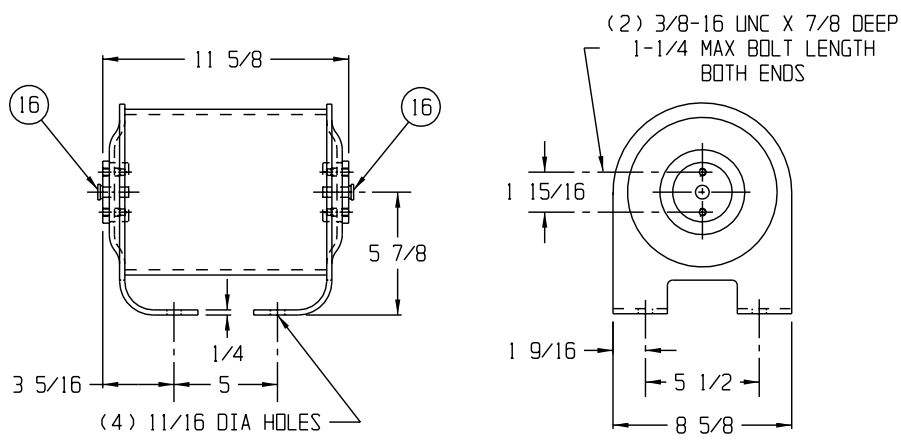
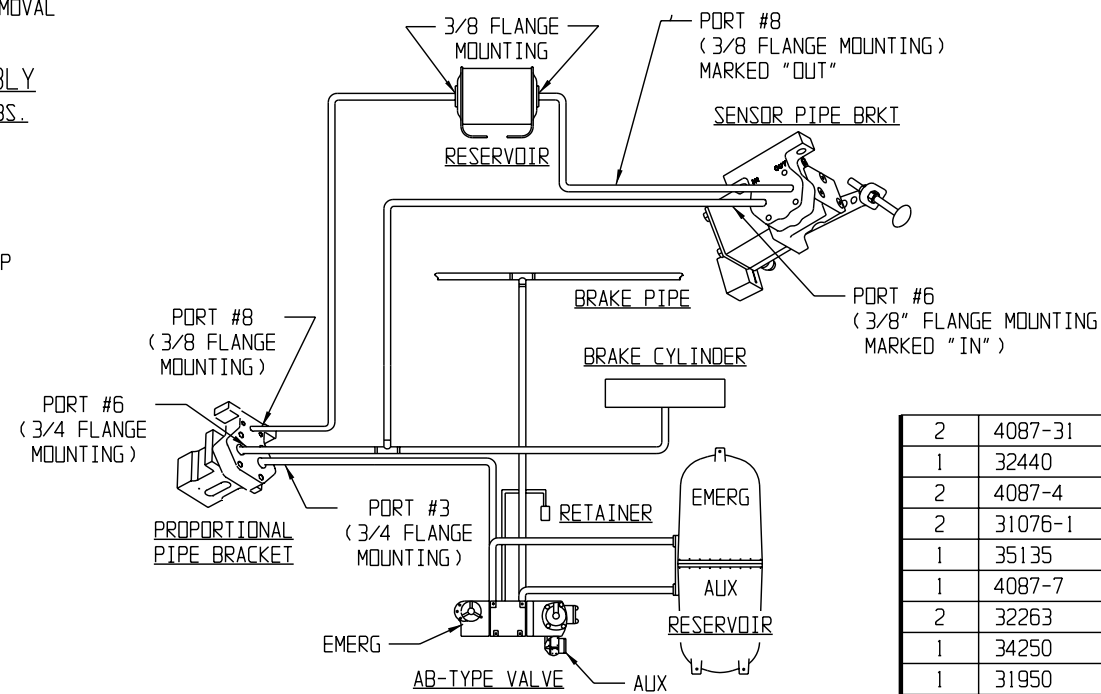


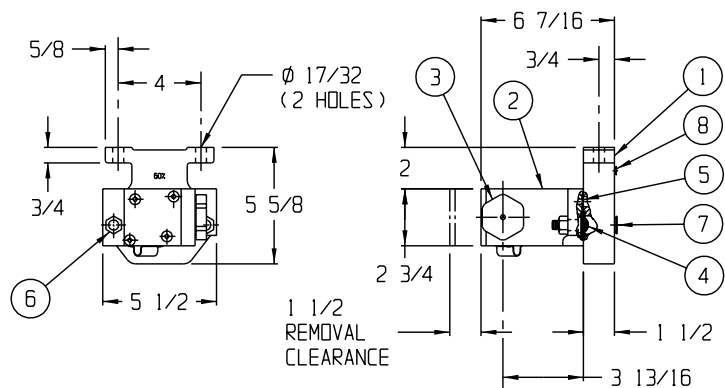
PART No 32040 SENSOR VALVE AND PIPE BRACKET ASSEMBLY
1.25 CU. IN. LOADED- 2.25 CU. IN. EMPTY EST. WT. 10.2 LBS.
SCALE: 2"=1'-0"



PART No 32440 - VOLUME RESERVOIR
435 CU. IN. EST WT = 11.7 LBS
SCALE: 2"=1'-0"



MODEL 6600-1 EMPTY/LOAD VALVE INSTALLATION
SCALE: NONE



PART No 32050 - PROPORTIONAL VALVE & PIPE BRACKET ASSY.
4.5 CU. IN. LOADED 6.25 CU. IN. EMPTY EST WT = 7.3 LBS
SCALE: 2"=1'-0"

- NOTES:
1. SENSOR ASS'Y, PROPORTIONAL ASSY AND RESERVOIR TO BE COATED WITH A BLACK, WATER REDUCIBLE PRIMER.
 2. CUSTOMER TO REMOVE ALL (8) PLASTIC PROTECTORS AFTER CAR BLASTING AND BEFORE AIR TESTING.
 3. MOUNTING HEIGHT: 10" (+1/4 -13/16) FROM UPPER EDGE OF PIPE BRACKET TO SIDE FRAME. CONTACT E-N ENG'G FOR APPROVAL IF APPLICATION IS NOT IN RECOMMENDED RANGE.

REVISIONS			
LTR	DATE	DESCRIPTION	BY
H	11/18/99	PICTORIALLY REVISED TO SHOW NEW CARRIAGE SCREW & LOCK NUTS PER ECN 2346	DAC
J	10/23/00	ITEM 5 & 11 WAS P/N 31076-6 PER ECN #3072	JLF
K	11/13/01	ADDED P/N 32040-CS TO 32040 AND NOTE 3. PER ECN #3920	JLF
L	10/28/03	ADDED PIPING DIAGRAM, RESCALED & UPDATED ALL VIEWS & BOM; ADDED COMPONENT VOLUMES; RMVD NOTE 3 & P/N 32040-CS PER ECN #4578	DAC
M	12/04/03	ADDED 5 1/4 DIM; RELOCATED 1 1/2" REMOVAL CLEARANCE (AT 08). PER ECN #5352	SBS
N	05/07/04	RESERVOIR: 11 5/8 WAS 11 7/8 & 3 5/16 WAS 3 7/16 PER ECN 5617	DAC
P	2/4/05	PICTORIALLY UPDATED ARM ASSY (ITEM 10) TO SHOW REV'D C'WT & ADJ. SCREW; DIM 5 WAS 5 1/4 #H8 PER ECN 5875	DAC
R	5/27/05	ITEM 1: 35145 WAS 32029 & ITEM 12: 35135 WAS 32031 PER ECN 6178	DAC
S	10/10/05	ADDED ITEM 12 PLASTIC PROTECTOR & REV'D BOM, BALLBOONS & NOTES TO AGREE; RMVD BOTTOM VIEW OF SIDE CAP (WITH TAPE); ADDED NOTE 3 (MTG HEIGHT RANGE) PER ECN 6545	DAC

2	4087-31	PLASTIC PROTECTOR (FOR SHIPPING)	16
1	32440	VOLUME RESERVOIR	1
2	4087-4	PLASTIC PROTECTOR (FOR SHIPPING)	15
2	31076-1	STOVER LOCKNUT, 1/2-13, ZINC PLATED	14
1	35135	SENSOR PIPE BRACKET ASSY	13
1	4087-7	PLASTIC PROTECTOR (FOR SHIPPING)	12
2	32263	FILTER WASHER	11
1	34250	SENSOR ARM ASSY	10
1	31950	SENSOR ASSEMBLY	9
1	32040	SENSOR VALVE AND PIPE BRACKET ASSEMBLY	1
1	4087-46	PLASTIC PROTECTOR (FOR SHIPPING)	8
2	4087-29	PLASTIC PROTECTOR (FOR SHIPPING)	7
2	31076-1	STOVER LOCKNUT, 1/2-13, ZINC PLATED	6
1	3918-70	O-RING	5
2	32244	FILTER WASHER	4
1	32020	INDICATOR ASSEMBLY	3
1	31800	PROPORTIONAL VALVE ASSEMBLY	2
1	35145	PROPORTIONAL PIPE BRACKET ASSY	1
1	32050	PROPORTIONAL VALVE AND PIPE BRACKET ASSY	1
	6600-1	EMPTY/LOAD DEVICE	1
QTY	PART No.	DESCRIPTION	ITEM

BILL OF MATERIAL

ELLCON NATIONAL
50 BEECHTREE BLVD. GREENVILLE, S.C. 29605

AAR APPROVED

MODEL 6600-1
60% EMPTY/LOAD DEVICE

SCALE NOTED	DATE 2-4-94	REV.
DRAWN D. BRUSHWOOD	C-6600-1 S	
CHECKED VIJAY B.		