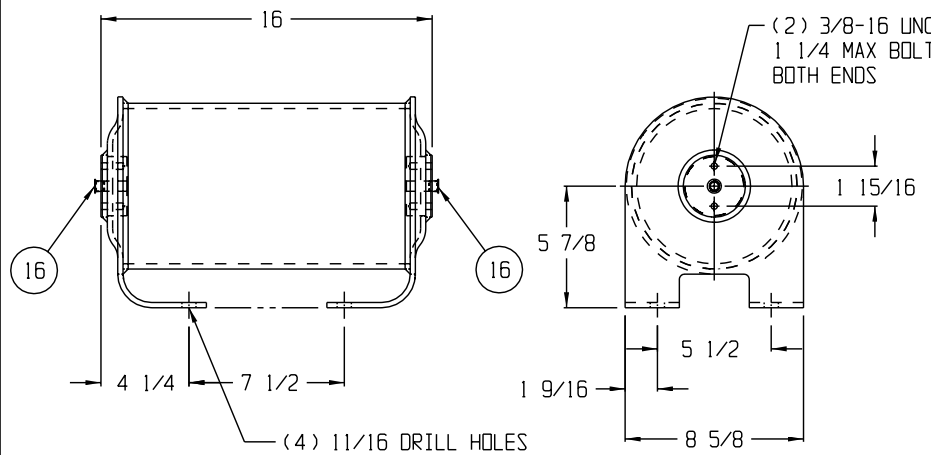
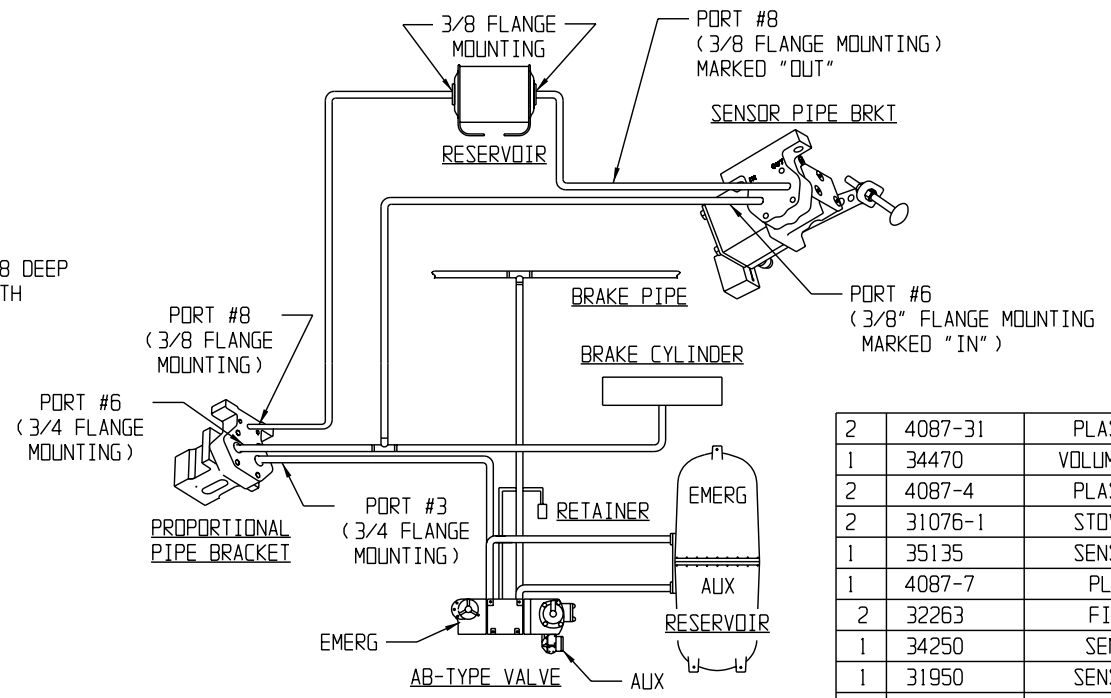


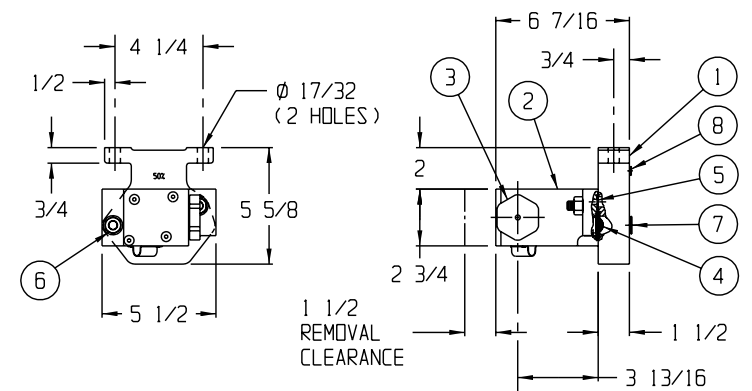
PART No 32040 SENSOR VALVE AND PIPE BRACKET ASSEMBLY
1.25 CU. IN. LOADED- 2.25 CU. IN. EMPTY EST. WT. 10.2 LBS.
SCALE: 2"=1'-0"



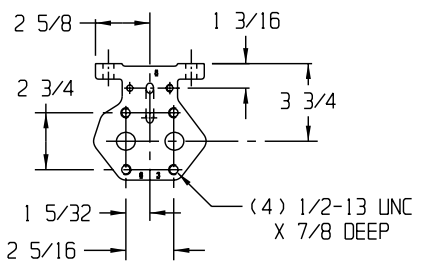
PART No 34470 - VOLUME RESERVOIR
625 CU. IN. EST WT = 14.4 LBS
SCALE: 2"=1'-0"



MODEL 6600-1/50 EMPTY/LOAD VALVE INSTALLATION
SCALE: NONE



PART No 34480 - PROPORTIONAL VALVE & PIPE BRACKET ASSY.
4.5 CU. IN. LOADED 6.25 CU. IN. EMPTY EST WT = 7.3 LBS
SCALE: 2"=1'-0"



- NOTES:
1. SENSOR ASS'Y, PROPORTIONAL ASSY AND RESERVOIR TO BE COATED WITH A BLACK, WATER REDUCIBLE PRIMER.
 2. CUSTOMER TO REMOVE ALL (8) PLASTIC PROTECTORS AFTER CAR BLASTING AND BEFORE AIR TESTING.
 3. MOUNTING HEIGHT: 10" (+1/4 -13/16) FROM UPPER EDGE OF PIPE BRACKET TO SIDE FRAME. CONTACT E-N ENG'G FOR APPROVAL IF APPLICATION IS NOT IN RECOMMENDED RANGE.

REVISIONS			
LTR	DATE	DESCRIPTION	BY
A	4/16/04	P/N 34480 REDESIGNED & REDRAWN; UPDATED BOM & PIPING DIAGRAM PER ECN 5581	DAC
B	4/27/04	P/N 34470: DIMS 4 1/4 & 7 1/2 WERE 3 7/16 & 9 1/8 RESPECTIVELY; ITEM 3 WAS 32030; WAS 628 CU. IN PER ECN 5311	DAC
C	2/4/05	PICTORIALLY UPDATED ARM ASSY (ITEM 10) TO SHOW REV'D C'WT & ADJ. SCREW; DIM 5 WAS 5 1/4 #H8; P/N 34480 PROP. ASSY MFG HOLES: 1/2 WAS 5/8; 4 1/4 WAS 4 PER ECN 5875	DAC
D	5/27/05	ITEM 1: 35155 WAS 34668 & ITEM 12: 35135 WAS 32031 PER ECN 6178	DAC
E	10/10/05	ADDED ITEM 12 PLASTIC PROTECTOR & REV'D BOM, BALLBOONS & NOTES TO AGREE; RMVD BOTTOM VIEW OF SIDE CAP (WITH TAPE); ADDED NOTE 3 (MTG HEIGHT RANGE) PER ECN 6545	DAC

2	4087-31	PLASTIC PROTECTOR (FOR SHIPPING)	16
1	34470	VOLUME RESERVOIR	1
2	4087-4	PLASTIC PROTECTOR (FOR SHIPPING)	15
2	31076-1	STOVER LOCKNUT, 1/2-13, ZINC PLATED	14
1	35135	SENSOR PIPE BRACKET ASSY	13
1	4087-7	PLASTIC PROTECTOR (FOR SHIPPING)	12
2	32263	FILTER WASHER	11
1	34250	SENSOR ARM ASSY	10
1	31950	SENSOR ASSEMBLY	9
1	32040	SENSOR VALVE AND PIPE BRKT ASSY	8
1	4087-46	PLASTIC PROTECTOR (FOR SHIPPING)	8
2	4087-29	PLASTIC PROTECTOR (FOR SHIPPING)	7
2	31076-1	STOVER LOCKNUT, 1/2-13, ZINC PLTD	6
1	3918-70	O-RING	5
2	32244	FILTER WASHER	4
1	33020	INDICATOR ASSEMBLY	3
1	34450	PROPORTIONAL VALVE ASSEMBLY	2
1	35155	PROPORTIONAL PIPE BRACKET ASSY	1
1	34480	PROPORTIONAL VALVE & PIPE BRKT ASSY	1
1	6600-1/50	EMPTY/LOAD DEVICE	1
QTY	PART No.	DESCRIPTION	ITEM

BILL OF MATERIAL
ELLCON NATIONAL
50 BEECHTREE BLVD. GREENVILLE, S.C. 29605

AAR APPROVED

MODEL 6600-1/50
50% EMPTY/LOAD DEVICE

SCALE	NOTED	DATE	REV.
DRAWN	D. CARROLL	03-07-03	
CHECKED	DMS		

THIS DOCUMENT AND ITS CONTENTS CONTAIN CONFIDENTIAL AND PROPRIETARY INFORMATION OWNED BY ELLCON-NATIONAL, INC. AND IT AND ALL COPIES THEREOF ARE TO BE RETURNED TO ELLCON-NATIONAL WHEN SO REQUESTED. THIS DOCUMENT OR ANY PART THEREOF SHALL NOT BE REPRODUCED, COPIED, OR TRANSMITTED ELECTRONICALLY. THE INFORMATION CONTAINED HEREIN SHALL NOT BE DISCLOSED BY THE RECIPIENT TO OTHERS OR USED BY RECIPIENT WITHOUT THE PRIOR WRITTEN CONSENT SPECIFIC TO EACH CASE. ELLCON-NATIONAL, INC.

C-6600-1/50 E