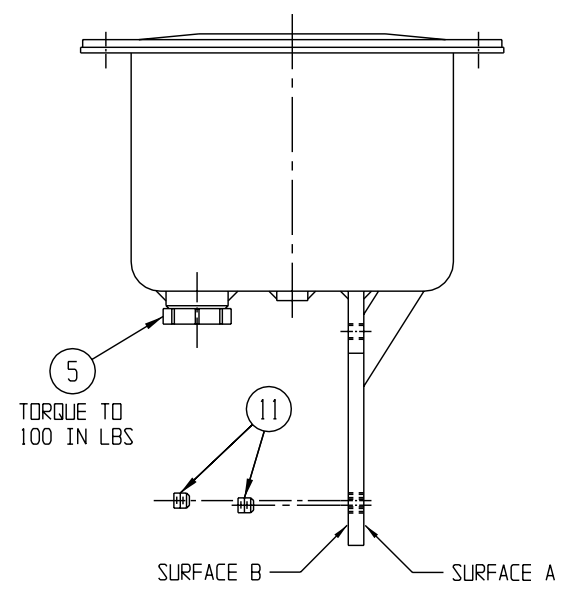
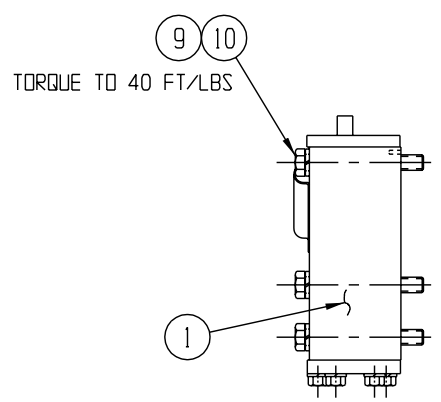
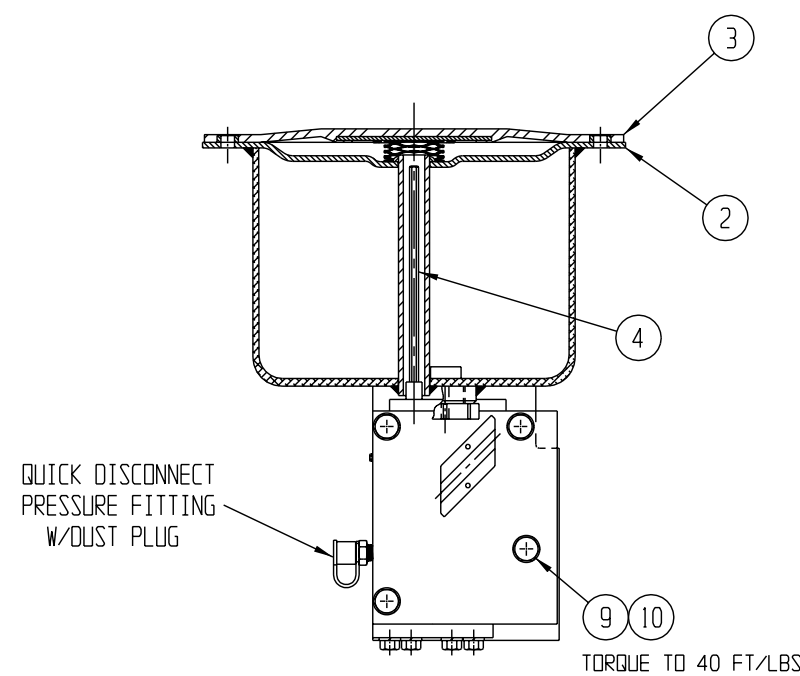


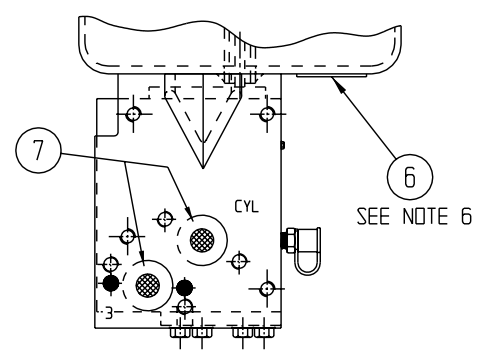
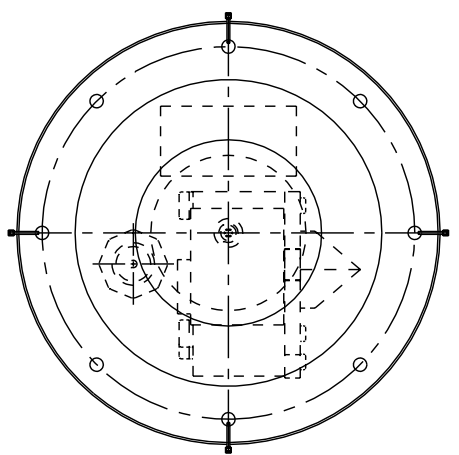
| REVISIONS | | | |
|-----------|----------|--|------------|
| LTR | DATE | DESCRIPTION | BY |
| A | 08-07-01 | RELEASED PER ECN #3675 | GMP |
| B | 9-7-01 | P/N 31126-9 WAS 31126-8. PER ECN # 3757 | KLS JLF |
| C | 7/14/04 | ITEM 3: 34714 WAS 9435 & 34714W WAS 31922 & PICTORIALY REV'D PER ECN 5726 | DAC |
| D | 7/6/05 | ADDED ITEM 11: SET SCREW (QTY 2) TO BOM; PICTORIALY REV'D VIEWS TO SHOW PROPER INSTALLATION PER ECN 6341 | DAC |
| E | 12/14/05 | ADDED NOTES 5 & 6 PER ECN 6654 | DAC |



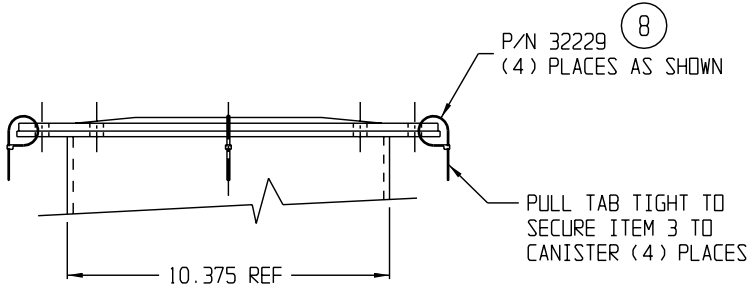
BEFORE MOUNTING VALVE ASSEMBLY (ITEM 1) TO MOUNTING PLATE, PLUG APPROPRIATE HOLES (AS SHOWN) WITH SET SCREWS (ITEM 11). SCREW IN FROM SURFACE "B" SIDE, BUT DO NOT LET SET SCREWS PROTRUDE FROM SURFACE "A" SIDE.

NOTES:

1. APPLY BLUE TYPE LOCTITE (LOCTITE NO. 242) TO THREADS OF ITEM # 9
2. SEE DRAWING C-33735 FOR OUTLINE DIMENSIONS
3. "W" SUFFIX INDICATES VALVES WITH FDA APPROVED GASKET
4. FOR 6200-50/50BFW, MODEL LETTER "W" TO BE ETCHED NEXT TO "6200-50/50BF" LETTERING, ON THE NAMEPLATE (ITEM 6).
5. EXPOSED AREA OF ASSEMBLY TO BE COATED WITH A BLACK, WATER REDUCIBLE PRIMER.
6. CARBUILDER TO REMOVE PROTECTIVE TAPE FROM NAMEPLATE BEFORE CAR IS SHIPPED.



FOR 6200-50/50BF & -50/50BFW
PLUG HOLES INDICATED IN BLACK



VIEW SHOWING SHIPPING TIES

| QTY | QTY | PART NO | DESCRIPTION | ITEM |
|-----|-----|----------|------------------------------------|------|
| 2 | 2 | 4516-29 | SET SCREW 1/2-13 (STAINLESS STEEL) | 11 |
| 4 | 4 | 3391-29 | LOCKWASHER 1/2 X 1/8 TK. | 10 |
| 4 | 4 | 3442-132 | BOLT 1/2-13 X 3 3/4 LONG | 9 |
| 4 | 4 | 32229 | SHIPPING TIE | 8 |
| 2 | 2 | 4087-26 | PLASTIC PROTECTOR CAP | 7 |
| 1 | 1 | 31126-9 | NAMEPLATE | 6 |
| 1 | 1 | 33020 | INDICATOR ASSEMBLY | 5 |
| 1 | 1 | 33711 | HEX ROD | 4 |
| - | 1 | 34714 | GASKET ASSEMBLY | 3 |
| 1 | - | 34714W | GASKET ASSEMBLY | 3 |
| 1 | 1 | 33770 | HOUSING ASSEMBLY | 2 |
| 1 | 1 | 31940F | VALVE ASSEMBLY | 1 |

SEE NOTE 4

| QTY | QTY | PART NO | DESCRIPTION | ITEM |
|--|--------------|------------------|-------------|------------------|
| 6200-50/50BFW | 6200-50/50BF | BILL OF MATERIAL | | |
| <p>ELLCON NATIONAL</p> <p>50 BEECHTREE BLVD. GREENVILLE, S.C. 29605</p> <p>MODEL 6200-50/50BF EMPTY LOAD DEVICE ASSEMBLY</p> | | | | |
| SCALE 3" = 1' - 0" | | DATE 8-3-01 | | REV. |
| DRAWN GMP | | CHECKED JLF | | C-6200-50/50BF E |

EST WT = 27.7 LBS

C-6200-50/50BF E