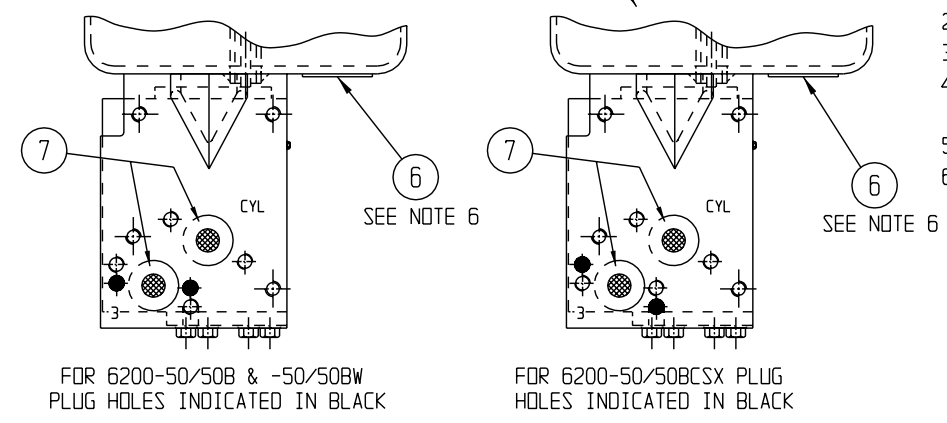
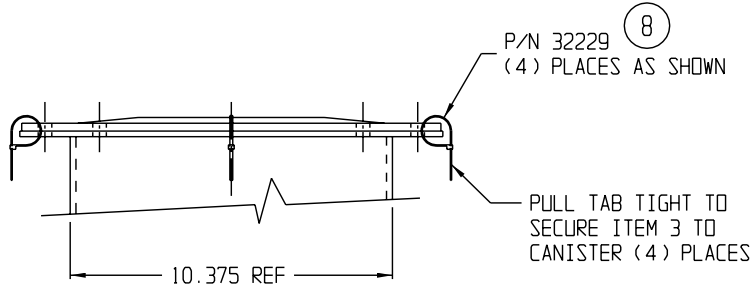
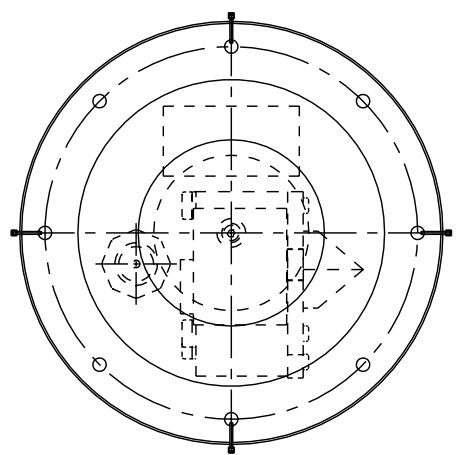


BEFORE MOUNTING VALVE ASSEMBLY (ITEM 1) TO MOUNTING PLATE, PLUG APPROPRIATE HOLES (AS SHOWN) WITH SET SCREWS (ITEM 11). SCREW IN FROM SURFACE "B" SIDE, BUT DO NOT LET SET SCREWS PROTRUDE FROM SURFACE "A" SIDE.



FOR 6200-50/50B & -50/50BW  
PLUG HOLES INDICATED IN BLACK

FOR 6200-50/50BCSX PLUG  
HOLES INDICATED IN BLACK



VIEW SHOWING SHIPPING TIES

REVISIONS			
LTR	DATE	DESCRIPTION	BY
ISSUED PER EDR 96-448			
A	9-18-96	ADDED NOTE 4. ITEM 4 IN BOM "HEX ROD" WAS "ROD" PER EDR 96-487	PRM
B	2-24-97	ADDED "TORQUE TO 100 IN-LBS" AT ITEM 5 AT G7.	LPS
C	7-24-01	ADDED QUICK DISCONNECT FITTING W/DUST PLUG PER ECN #3647	KLS JLF
D	08-30-01	REMOVED QUICK DISCONNECT FITTING W/DUST PLUG PER ECN #3736	JLF
E	7/14/04	ITEM 3: 34714 WAS 9435 & 34714W WAS 31922 & PICTORIALLY REV'D PER ECN 5726	DAC
F	10/15/04	ADDED ITEM 11: SET SCREW (QTY 2) TO BOM; PICTORIALLY REV'D VIEWS TO SHOW PROPER INSTALLATION; ADDED 6200-50/50BCSX TO BOM TABULATION PER ECN 5879	DAC
G	12/14/05	ADDED NOTES 5 & 6 PER ECN 6654	DAC

NOTES:

1. APPLY BLUE TYPE LOCTITE (LOCTITE NO. 242) TO THREADS OF ITEM # 9
2. SEE DRAWING C-33735 FOR OUTLINE DIMENSIONS
3. "W" SUFFIX INDICATES VALVES WITH FDA APPROVED GASKET
4. FOR 6200-50/50BW, MODEL LETTER "W" TO BE ETCHED NEXT TO "6200-50/50B" LETTERING, ON THE NAMEPLATE (ITEM 6).
5. EXPOSED AREA OF ASSEMBLY TO BE COATED WITH A BLACK, WATER REDUCIBLE PRIMER.
6. CARBUILDER TO REMOVE PROTECTIVE TAPE FROM NAMEPLATE BEFORE CAR IS SHIPPED.

SEE NOTE 4

QTY	QTY	QTY	PART NO	DESCRIPTION	ITEM
2	2	2	4516-29	SET SCREW 1/2-13 (STAINLESS STEEL)	11
4	4	4	3391-29	LOCKWASHER 1/2 X 1/8 TK.	10
4	4	4	3442-132	BOLT 1/2-13 X 3 3/4 LONG	9
4	4	4	32229	SHIPPING TIE	8
2	2	2	4087-26	PLASTIC PROTECTOR CAP	7
1			31126-17	NAMEPLATE	6
	1	1	31126-8	NAMEPLATE	6
1	1	1	33020	INDICATOR ASSEMBLY	5
1	1	1	33711	HEX ROD	4
1		1	34714	GASKET ASSEMBLY	3
	1		34714W	GASKET ASSEMBLY	3
1	1	1	33770	HOUSING ASSEMBLY	2
1	1	1	31940	VALVE ASSEMBLY	1

BILL OF MATERIAL

ELLCON NATIONAL  
50 BEECHTREE BLVD. GREENVILLE, S.C. 29605

MODEL 6200-50/50B  
EMPTY LOAD DEVICE  
ASSEMBLY

SCALE 3" = 1'-0" DATE 8-26-96 REV.

DRAWN PRM  
CHECKED VKB

C-6200-50/50B G

EST WT = 27.5 LBS

REF C-6200-50/50BF