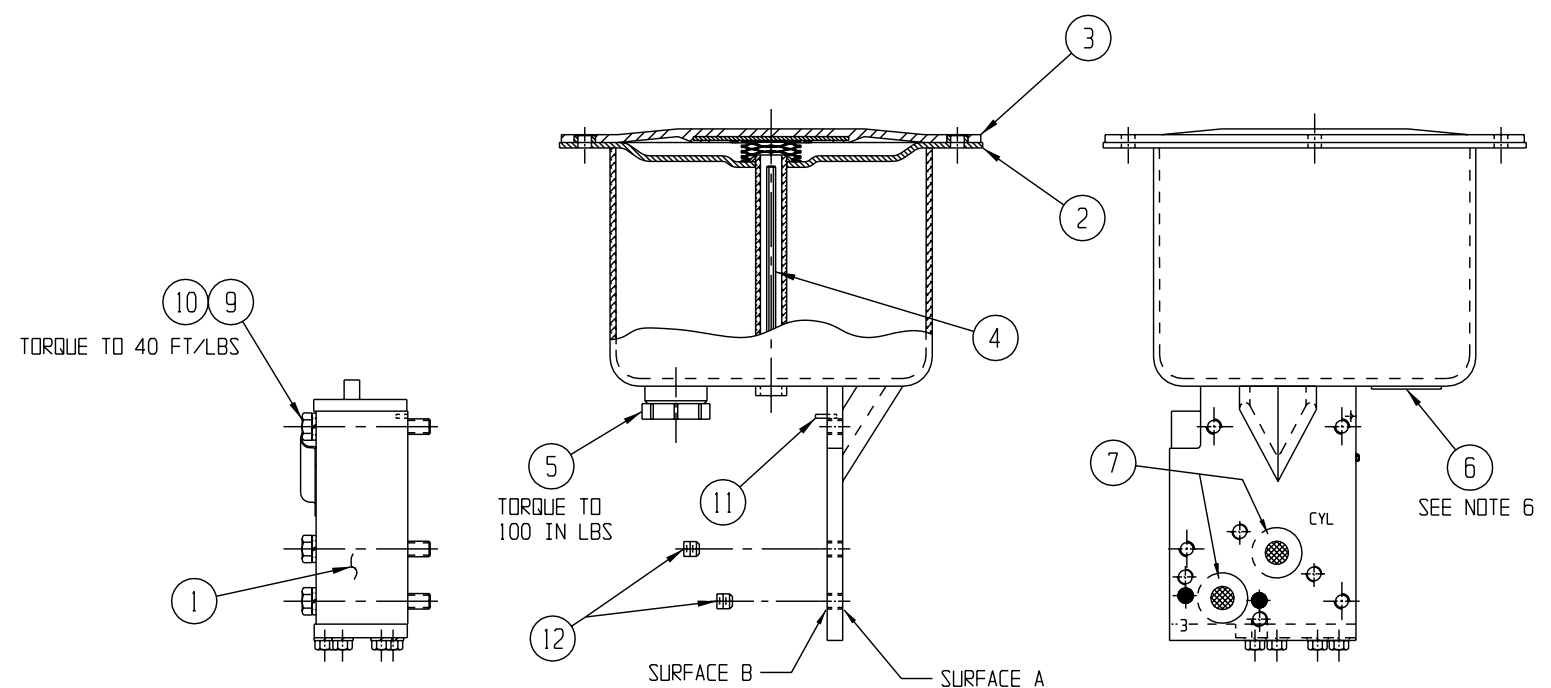


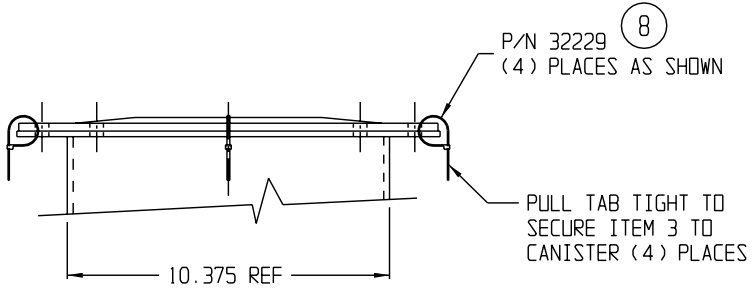
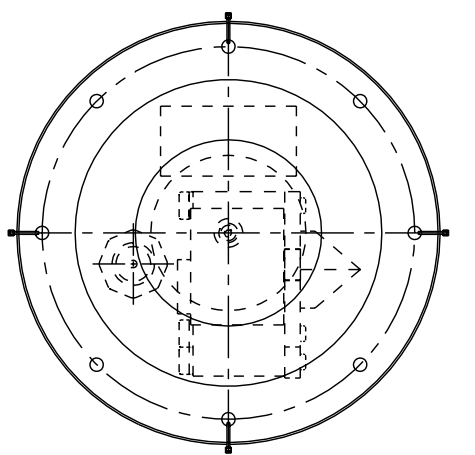
REVISIONS			
LTR	DATE	DESCRIPTION	BY
ISSUED PER EDR 96-448			
A	9-18-96	ADDED NOTE 4, ITEM 4 IN BOM "HEX ROD" WAS "ROD" PER EDR 96-487	PRM
B	2-24-97	ADDED "TORQUE TO 100 IN LBS" TO ITEM 5 AT G9.	LPS
C	7/14/04	ITEM 3: 34714 WAS 9435 & 34714W WAS 31922 & PICTORIALY REV'D PER ECN 5726	DAC
D	12/14/05	ADDED NOTES 5 & 6 PER ECN 6654	DAC



BEFORE MOUNTING VALVE ASSEMBLY (ITEM 1) TO MOUNTING PLATE, PLUG APPROPRIATE HOLES (AS SHOWN) WITH SET SCREWS (ITEM 12). SCREW IN FROM SURFACE "B" SIDE, BUT DO NOT LET SET SCREWS PROTRUDE FROM SURFACE "A" SIDE.

FOR 6200-5/30B PLUG HOLES INDICATED IN BLACK

FOR 6200-5/30BCSX PLUG HOLES INDICATED IN BLACK



NOTES:

1. APPLY BLUE TYPE LOCTITE (LOCTITE NO. 242) TO THREADS OF ITEMS # 9 & # 12
2. SEE DRAWING C-33735 FOR OUTLINE DIMENSIONS
3. "W" SUFFIX INDICATES VALVES WITH FOA APPROVED GASKET
4. FOR 6200-5/30BW, MODEL LETTER "W" TO BE ETCHED NEXT TO "6200-5/30B" LETTERING, ON THE NAMEPLATE (ITEM 6).
5. EXPOSED AREA OF ASSEMBLY TO BE COATED WITH A BLACK, WATER REDUCIBLE PRIMER.
6. CARBUILDER TO REMOVE PROTECTIVE TAPE FROM NAMEPLATE BEFORE CAR IS SHIPPED.

SEE NOTE 4

QTY	QTY	QTY	PART NO	DESCRIPTION	ITEM
2	2	2	4516-29	SET SCREW 1/2-13 (STAINLESS STEEL)	12
1	1	1	3297-47	ROLL PIN	11
4	4	4	3391-29	LOCKWASHER 1/2 X 1/8 TK.	10
4	4	4	3442-132	BOLT 1/2-13 X 3 3/4 LONG	9
4	4	4	32229	SHIPPING TIE	8
2	2	2	4087-26	PLASTIC PROTECTOR CAP	7
1			31126-7	NAMEPLATE	6
1	1	1	31126-6	NAMEPLATE	6
1	1	1	33020	INDICATOR ASSEMBLY	5
1	1	1	33711	HEX ROD	4
1		1	34714	GASKET ASSEMBLY	3
	1		34714W	GASKET ASSEMBLY	3
1	1	1	33760	HOUSING ASSEMBLY	2
1	1	1	31840	VALVE ASSEMBLY	1

BILL OF MATERIAL

ELLCON NATIONAL
 50 BEECHTREE BLVD. GREENVILLE, S.C. 29605

MODEL 6200-5/30B
 EMPTY LOAD DEVICE
 ASSEMBLY

SCALE 3" = 1' - 0" DATE 8-26-96 REV.

DRAWN PRM
 CHECKED VKB

C-6200-5/30B

EST WT = 27.5 LBS

SOLD AS REPLACEMENT ONLY

VIEW SHOWING SHIPPING TIES