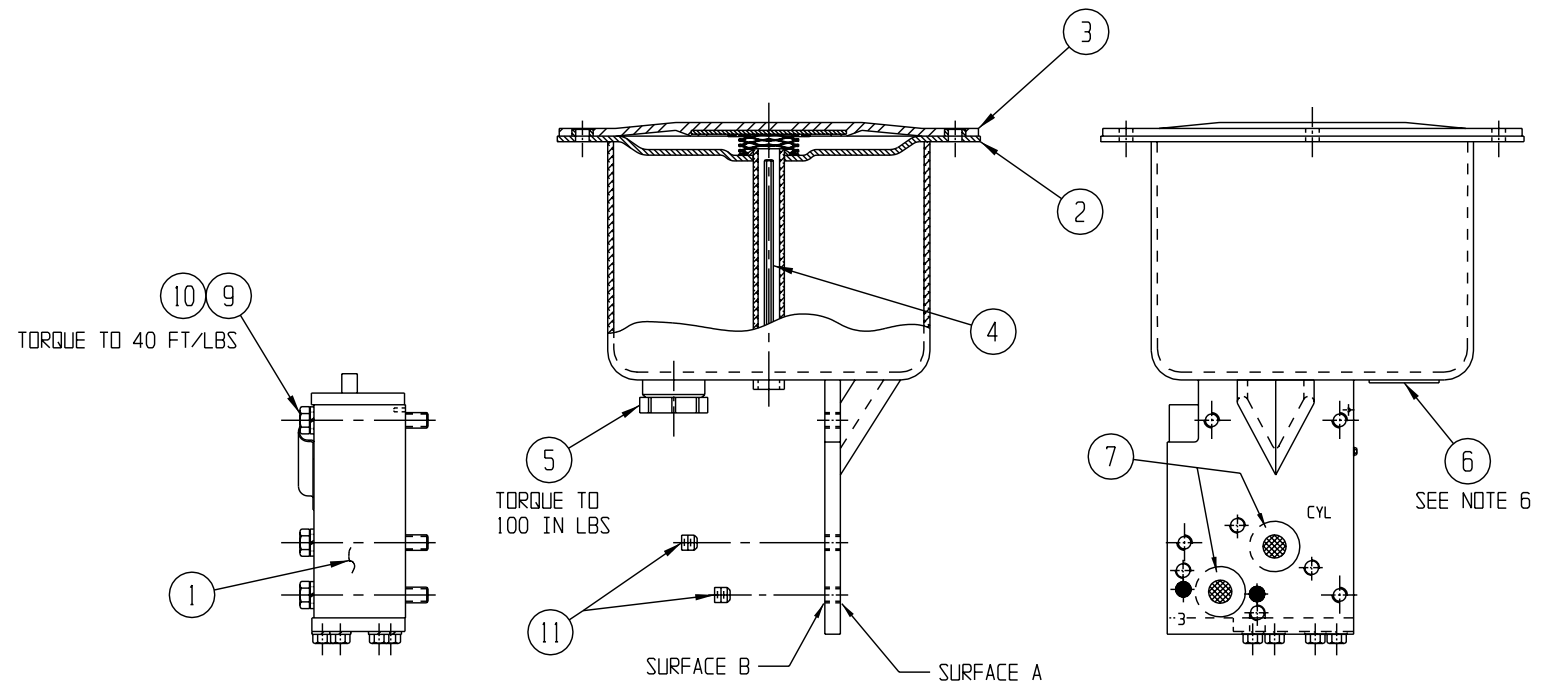


11 10 9 8 7 6 5 4 3 2 1

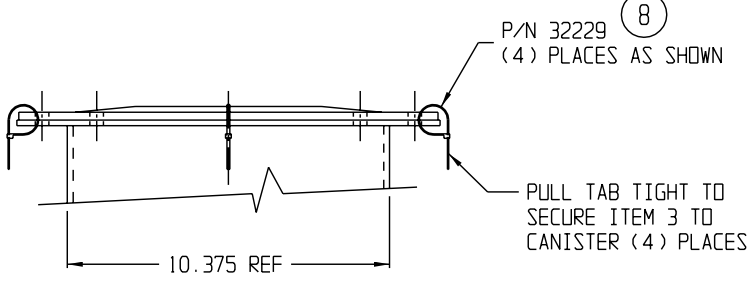
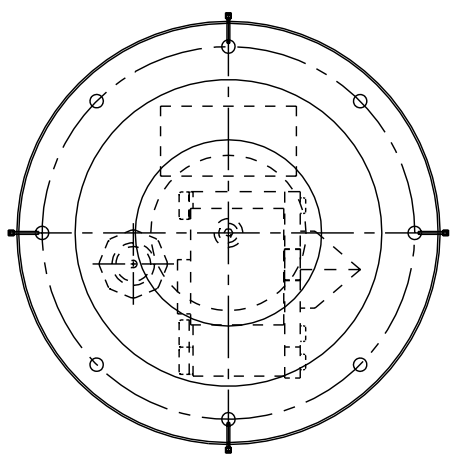
REVISIONS			
LTR	DATE	DESCRIPTION	BY
ISSUED PER EDR 96-448			
A	9-18-96	ADDED NOTE 4, ITEM 4 IN BOM "HEX ROD" WAS "ROD" PER EDR 96-487	PRM
B	2-24-97	ADDED "TORQUE TO 100 IN-LBS" AT ITEM 5 AT G7.	LPS
C	7/14/04	ITEM 3: 34714 WAS 9435 & 34714W WAS 31922 & PICTORIALY REV'D PER ECN 5726	DAC
D	8-19-04	REVISED PICTURE; ADDED -5BCSX COLUMN, P/N 4516-29 & 31126-16 TO BOM PER ECN 5803	SBS
E	12/14/05	ADDED NOTES 5 & 6 PER ECN 6654	DAC



BEFORE MOUNTING VALVE ASSEMBLY (ITEM 1) TO MOUNTING PLATE, PLUG APPROPRIATE HOLES (AS SHOWN) WITH SET SCREWS (ITEM 11). SCREW IN FROM SURFACE "B" SIDE, BUT DO NOT LET SET SCREWS PROTRUDE FROM SURFACE "A" SIDE.

FOR 6200-5B & -5BW PLUG HOLES INDICATED IN BLACK

FOR 6200-5BCSX PLUG HOLES INDICATED IN BLACK



VIEW SHOWING SHIPPING TIES

NOTES:

1. APPLY BLUE TYPE LOCTITE (LOCTITE NO. 242) TO THREADS OF ITEM # 9
2. SEE DRAWING C-33735 FOR OUTLINE DIMENSIONS
3. "W" SUFFIX INDICATES VALVES WITH FDA APPROVED GASKET
4. FOR 6200-5BW, MODEL LETTER "W" TO BE ETCHED NEXT TO "6200-5B" LETTERING, ON THE NAMEPLATE (ITEM #6).
5. EXPOSED AREA OF ASSEMBLY TO BE COATED WITH A BLACK, WATER REDUCIBLE PRIMER.
6. CARBUINDER TO REMOVE PROTECTIVE TAPE FROM NAMEPLATE BEFORE CAR IS SHIPPED.

SEE NOTE 4

QTY	QTY	QTY	PART NO	DESCRIPTION	ITEM
2	2	2	4516-29	SET SCREW 1/2-13 (ST. ST.)	11
4	4	4	3391-29	LOCKWASHER 1/2 X 1/8 TK.	10
4	4	4	3442-132	BOLT 1/2-13 X 3 3/4 LONG	9
4	4	4	32229	SHIPPING TIE	8
2	2	2	4087-26	PLASTIC PROTECTOR CAP	7
1	-	-	31126-16	NAMEPLATE	6
-	1	1	31126-5	NAMEPLATE	6
1	1	1	33020	INDICATOR ASSEMBLY	5
1	1	1	33711	HEX ROD	4
1	-	1	34714	GASKET ASSEMBLY	3
-	1	-	34714W	GASKET ASSEMBLY	3
1	1	1	33750	HOUSING ASSEMBLY	2
1	1	1	31840-1	VALVE ASSEMBLY	1
QTY	QTY	QTY	PART NO	DESCRIPTION	ITEM

BILL OF MATERIAL

ELLCON NATIONAL
 50 BEECHTREE BLVD. GREENVILLE, S.C. 29605

MODEL 6200-5B
 EMPTY LOAD DEVICE
 ASSEMBLY

SCALE 3" = 1' - 0"	DATE 8-26-96	REV.
DRAWN PRM	C-6200-5B E	
CHECKED VKB		

THIS DOCUMENT AND ITS CONTENTS CONTAIN CONFIDENTIAL AND PROPRIETARY INFORMATION OWNED BY ELLCON-NATIONAL, INC. AND IT AND ALL COPIES THEREOF ARE TO BE RETURNED TO ELLCON-NATIONAL WHEN SO REQUESTED. THIS DOCUMENT OR ANY PART THEREOF SHALL NOT BE REPRODUCED, COPIED, OR TRANSMITTED ELECTRONICALLY. THE INFORMATION CONTAINED HEREIN SHALL NOT BE DISCLOSED BY THE RECIPIENT TO OTHERS OR USED BY RECIPIENT WITHOUT THE PRIOR WRITTEN CONSENT SPECIFIC TO EACH CASE. ELLCON-NATIONAL, INC.

EST WT = 27.5 LBS

11 10 9 8 7 6 5 4 3 2 1