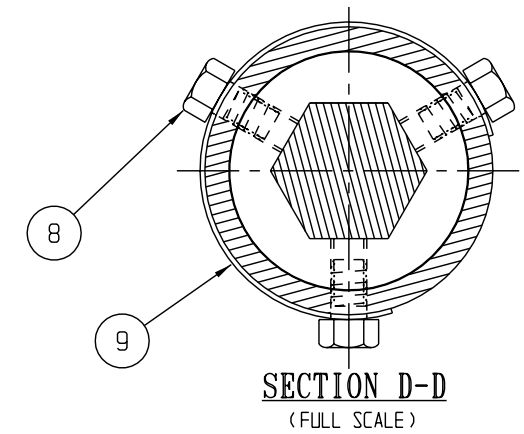
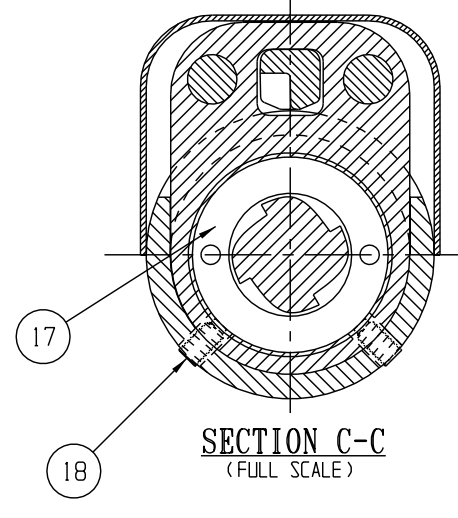
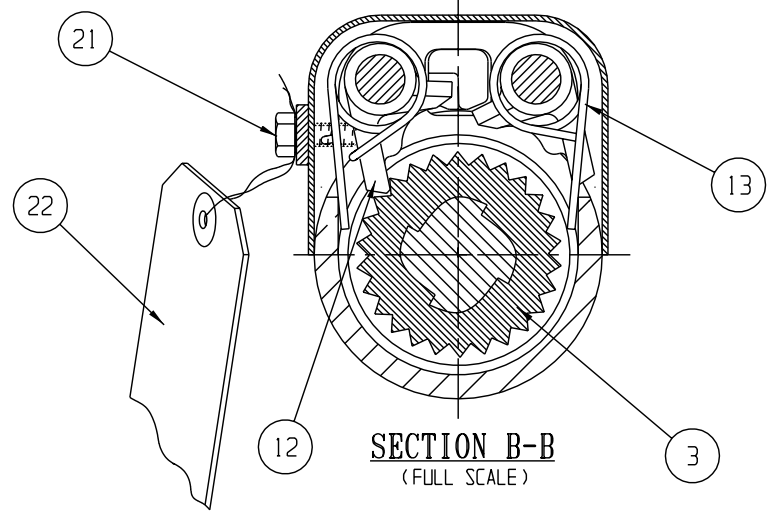
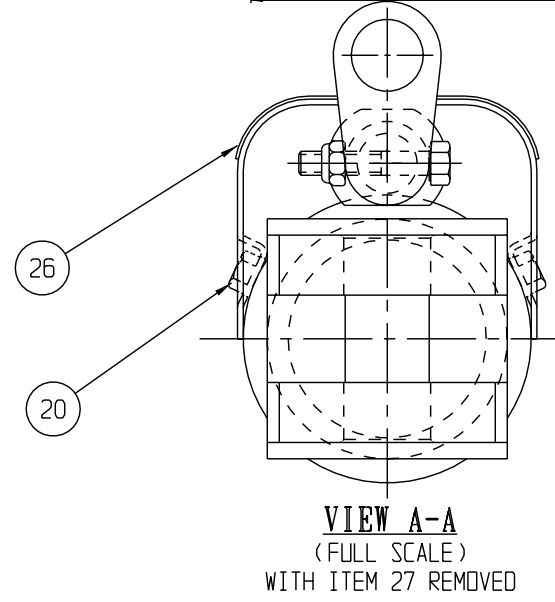
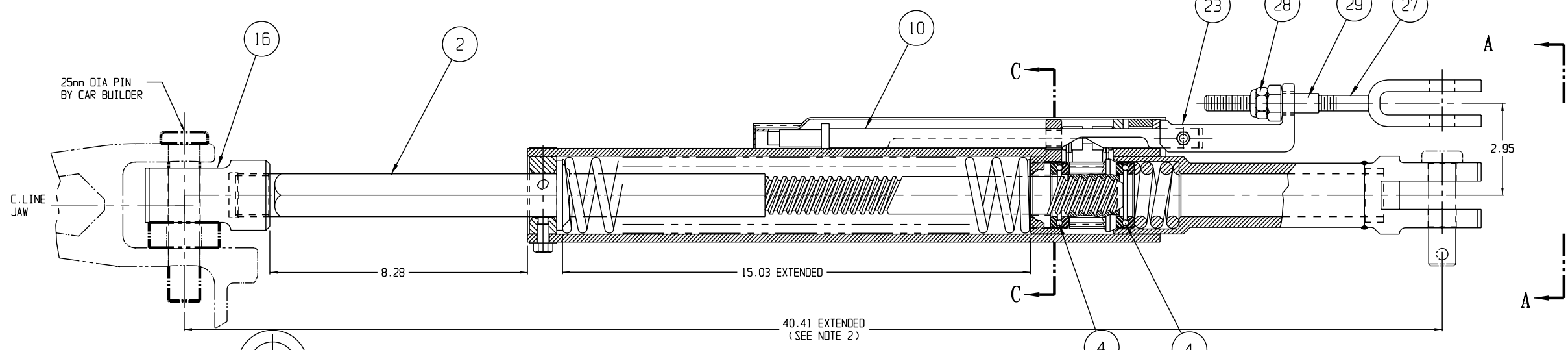
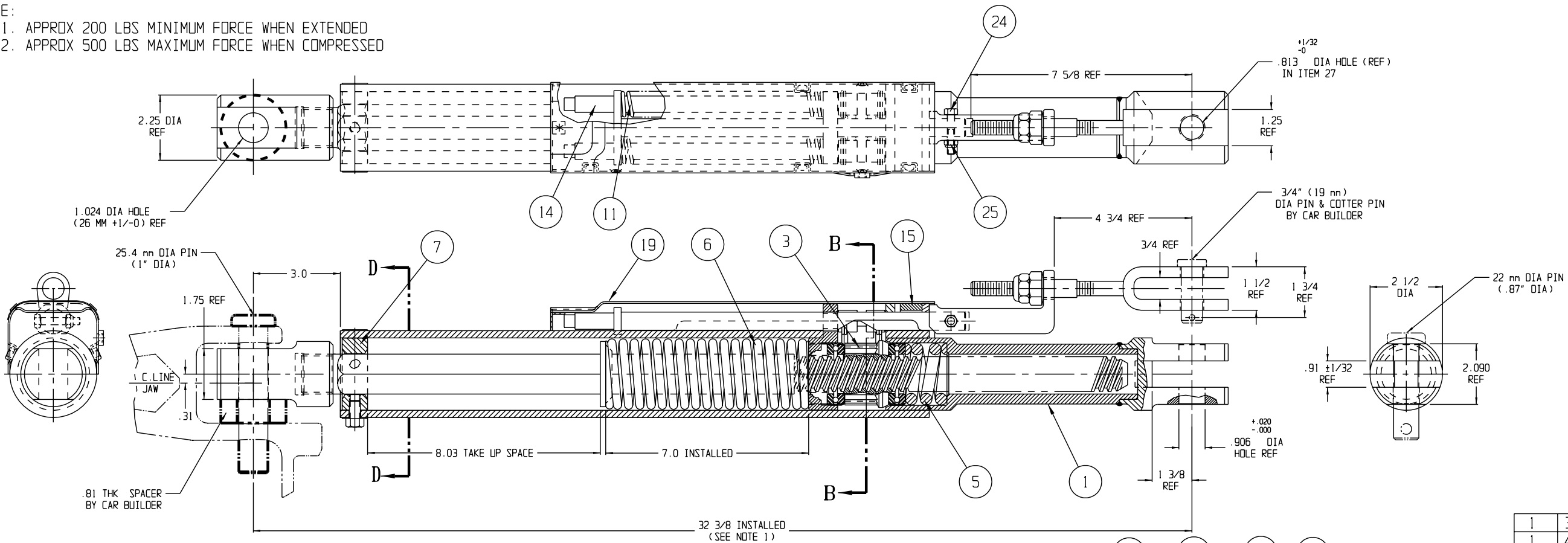


NOTE:
 1. APPROX 200 LBS MINIMUM FORCE WHEN EXTENDED
 2. APPROX 500 LBS MAXIMUM FORCE WHEN COMPRESSED

REVISIONS			
LTR	DATE	DESCRIPTION	BY
A	05/13/05	ISSUED PER ECN #6021 DIM 32 3/8 WAS 33 1/2, 40.41 WAS 41.53, 1 3/8 WAS 1 1/2, 7 5/8 WAS 8.88 AND 4 3/4 WAS 5.88. P/N 9313 WAS P/N 30591. ADDED SPRING LOAD NOTE. ECN #6045	PS



1	33158	CONTROL ROD NUT	29
1	4493-35	NUT,ESNA 1/2-13 UNC	28
1	9313	CONTROL ARM	27
1	9356	NAMEPLATE	26
1	4493-7	NUT,ESNA 1/4-20 UNC	25
1	3442-59	BOLT,HEX.HD. 1/4-20 X 1-3/8	24
1	35074	TRIGGER	23
1	9537	WARNING TAG	22
1	3442-27	SHIPPING BOLT	21
6	3978-1	SCREW,HEX.HD. 1/4-20 X 9/32	20
1	9295	COVER	19
2	4516-23	SET SCREW	18
1	31059	ADJUSTING SPACER (PT OF IT 1)	17
1	35076	JAW	16
1	9255	FELT	15
2	31053	PAWL AND ACT.SPRING GUIDE	14
2	9303	PAWL SPRING	13
2	9169	PAWL	12
2	9254	ACTUATOR SPRING	11
1	31072	CAMMING BAR	10
1	30916	RETAINER	9
3	3442-131	SCREW,HEX.HD. 3/8-16 X 5/8	8
1	30909	END CLOSURE	7
1	35077	LOAD SPRING	6
1	8847	COMPRESSION SPRING	5
2	8855	BEARING	4
1	30946	NUT	3
1	35075	SCREW WELDMENT	2
1	35050	HOUSING ASSEMBLY	1
QTY.	PART NO.	DESCRIPTION	ITEM

BILL OF MATERIAL

TOLERANCES AND FINISHES UNLESS OTHERWISE NOTED
 DECIMALS .XX ± .02
 DECIMALS .XXX ± .010
 ANGLES ± 2°
 FRACTIONS ± 1/32
 DRILLED HOLE DIAMETERS +.010/- .001
 BREAK ALL SHARP CORNERS AND EDGES
 C'SK ALL TAPPED HOLES 118° ± ONE THREAD DEEP
 MACHINED SURFACES 125

ELLCON NATIONAL
 50 BEECHTREE BLVD. GREENVILLE, S.C. 29605

ASSEMBLY MODEL 7100-31 SLACK ADJUSTER

SCALE 6" = 12" DATE 01/20/05 REV.
 DRAWN PS CHECKED P. SDPT
D-7100-31A