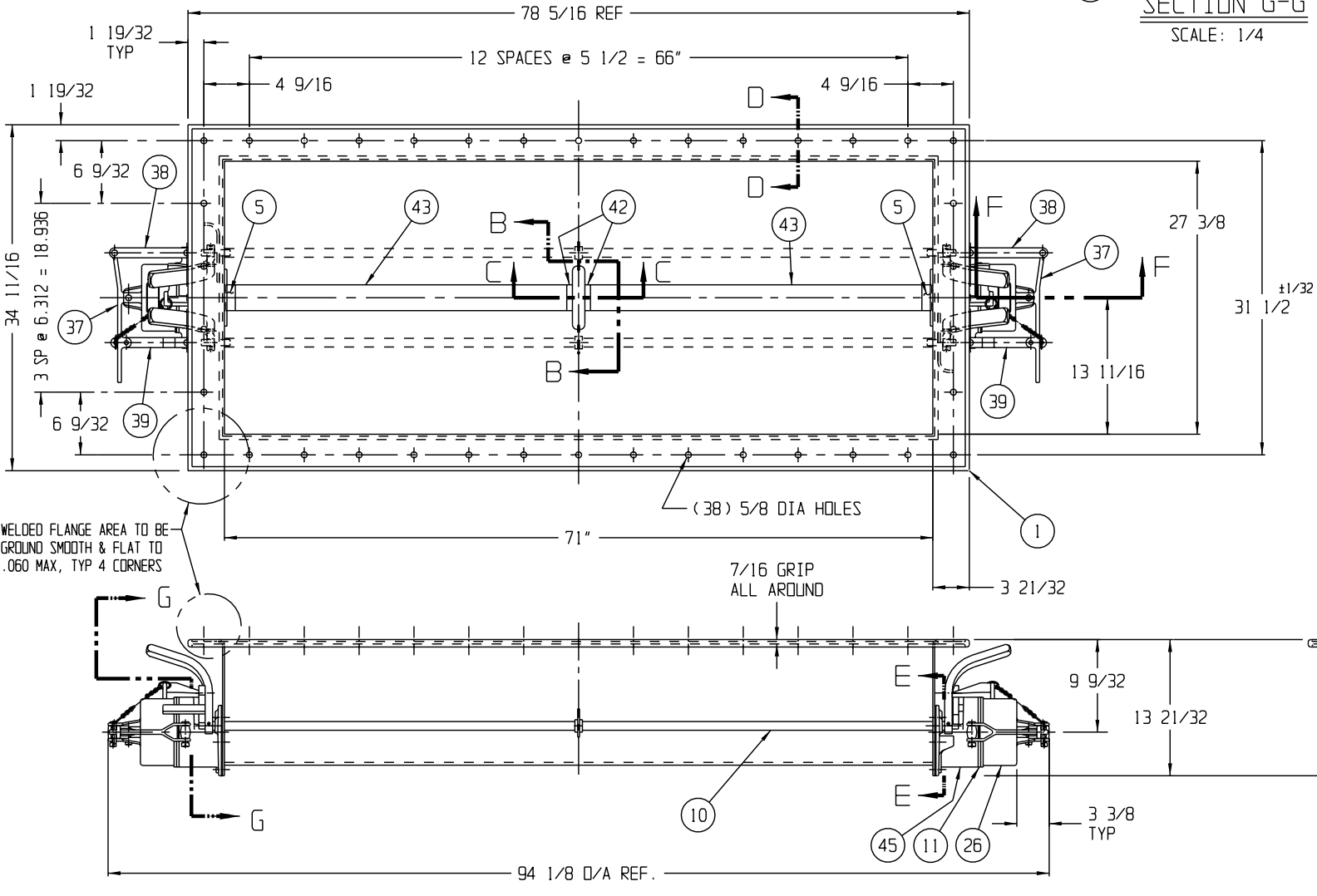
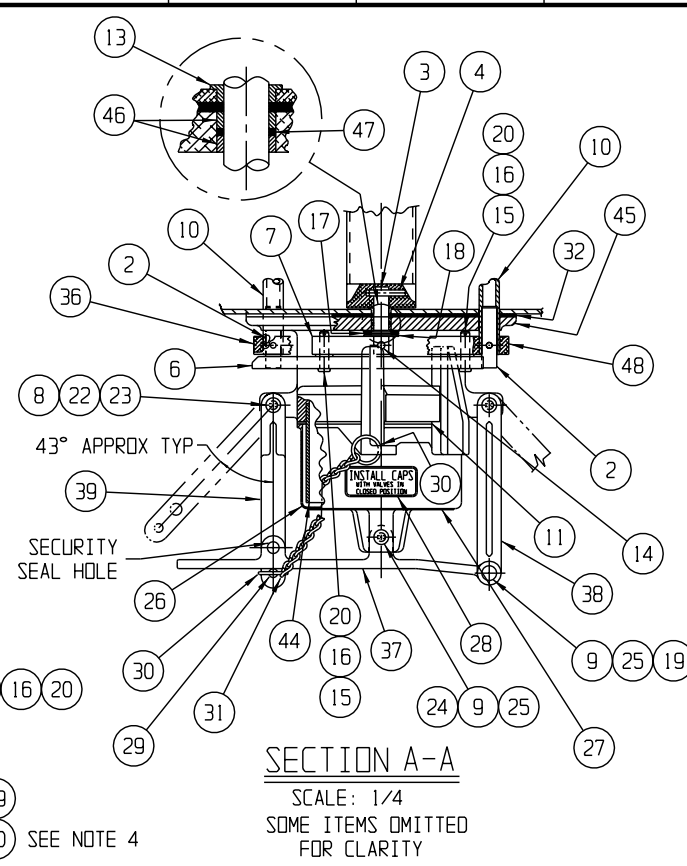
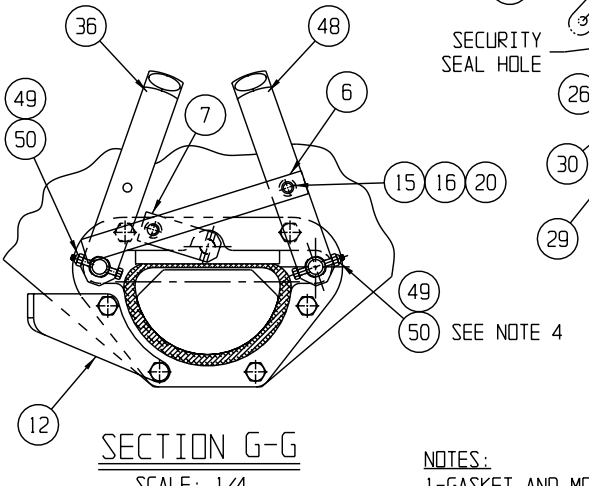
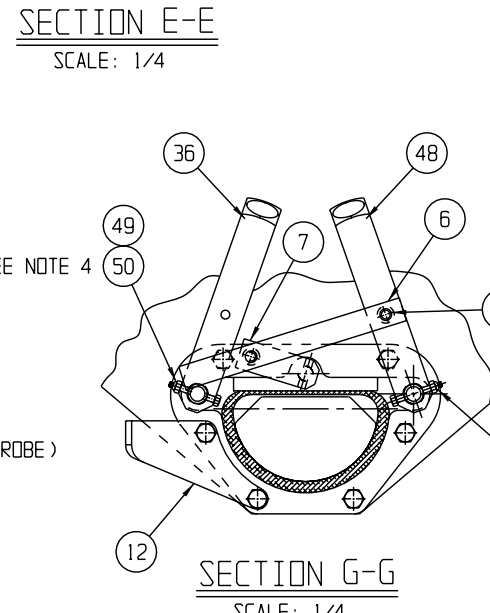
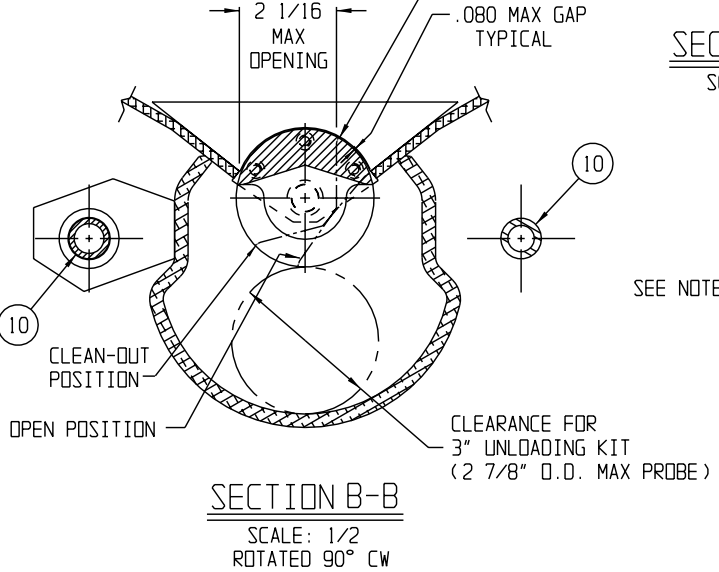
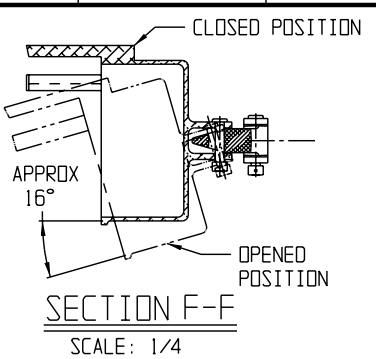
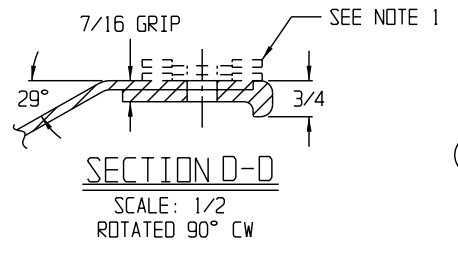
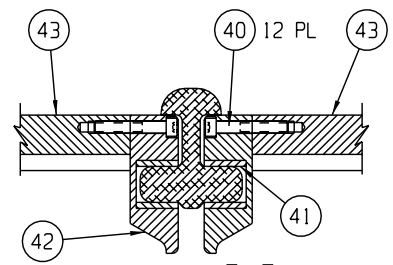
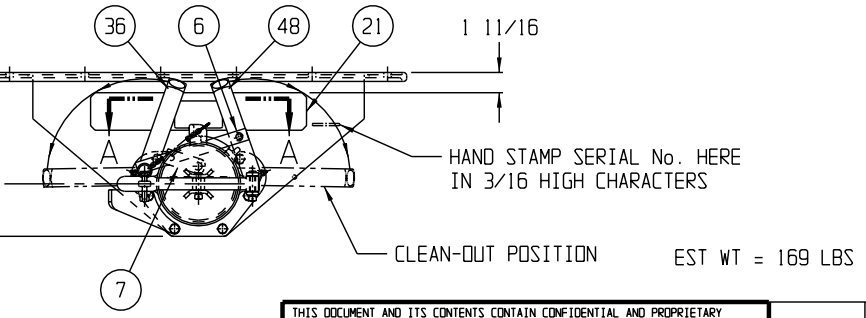
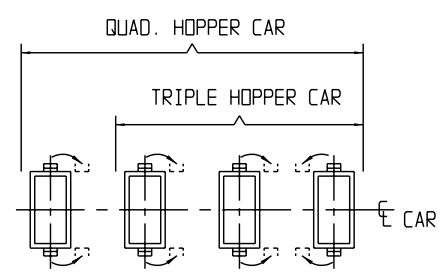


THIS ARRANGEMENT COVERED BY THE FOLLOWING PATENTS
 U.S. 4,500,230
 CANADA 1,192,788

REVISIONS			
LTR	DATE	DESCRIPTION	BY
		ISSUED PER ECN #2757	



NOTES:
 1-GASKET AND MOUNTING HARDWARE SUPPLIED BY CUSTOMER UNLESS OTHERWISE NOTED ON ORDER.
 2-INTERIOR OF GATE TO BE FREE OF DIRT, GREASE, BURRS, WELD SPATTER OR ANY OTHER FOREIGN MATTER.
 3-UNLESS OTHERWISE NOTED, ALL DIMENSIONS ARE NOMINAL.
 4-TORQUE ITEM 50, TO 84 INCH LBS ±10% (4 PLACES).



4	4493-43	LOCKNUT W/NYLON INSERT (1/4-20) - ZINC PLTD	50
4	3442-188	HEX HD CAP SCREW 1/4-20 X 2 ZINC PLTD, GRADE 5	49
2	34125-1	OPERATING LEVER R.H. - ALUMINUM	48
2	3918-48	O-RING - Buna N	47
4	31693	BEARING - NYLON	46
2	30611	FLANGED CONNECTOR - ALUMINUM	45
2	7956	CONNECTOR TUBE - ST. STEEL	44
-	30727	FLANGED CONNECTOR ASSEMBLY	-
2	32465-1	VALVE TAPPED - ALUMINUM	43
2	32466-2	VALVE END, CENTER - ALUMINUM	42
2	32475	BEARING - NYLON	41
-	32476	VALVE END ASSEMBLY	-
12	3296-41	SCREW (1/4-20 X 1 1/4 S.H.C.S.) - ST. STEEL	40
-	33382	VALVE ASSEMBLY	-
2	30487	SIDE LINK - ALUMINUM	39
2	30488	PIVOT ARM - ALUMINUM	38
2	30489	LOCKING ARM - DUCTILE IRON, NYLON COATED	37
2	34125-2	OPERATING LEVER LH - ALUMINUM	36
12	3958-41	WASHER (1/2) - ST. STEEL	35
12	4493-22	NUT (ESNA) (1/2-13) - ZINC PLATED	34
12	3442-127	BOLT HEX HD. (1/2-13 X 1 3/4) - ZINC PLATED	33
2	30725	GASKET - NEOPRENE	32
2	30654	CHAIN (GALVANIZED)	31
2	30657	RING - STAINLESS STEEL	30
2	30651	DETENT RING PIN (LOCKING PIN) PLATED	29
2	33978	CAP INSTALLATION DECAL	28
2	30605	OUTLET CAP PLATE - ALUMINUM	27
2	32167	CAP - ALUMINUM	26
-	30656	CAP & CHAIN ASSEMBLY	-
4	32255-1	SPACER - DELRIN	25
2	32254-1	PIN (3/8 X 1 7/8) - ST. STEEL	24
4	32255-2	SPACER - DELRIN	23
4	32254-2	PIN (1/2 X 2 11/64 TO HOLE) - ST. STEEL	22
2	30956	NAMEPLATE ASSEMBLY - ALUMINUM	21
4	3958-44	WASHER (3/8) - ST. STEEL	20
2	32254-3	PIN (3/8 X 2 11/64 TO HOLE) - ST. STEEL	19
2	3958-46	WASHER (5/8) - ST. STEEL	18
6	8282	DISC SPRING - ZINC PLATED	17
4	4034-21	COTTER PIN (3/32 X 3/4) - ST. STEEL	16
4	7933-7	CLEVIS PIN (3/8 X 1 15/32 TO HOLE) - ST. STEEL	15
2	3206-22	GROOVED PIN (5/16 X 1 1/4) - ST. STEEL	14
2	32485	BEARING - NYLON	13
2	34094	LEVER STOP	12
2	7837	END CAP GASKET - NEOPRENE	11
2	34095-1	OPERATING SHAFT - GALV.	10
4	3206-26	GROOVED PIN (1/8 X 5/8) - ST. STEEL	9
4	3206-28	GROOVED PIN (1/8 X 3/4) - ST. STEEL	8
2	30447-1	VALVE LEVER - ALUMINUM	7
2	30464-1	OPERATING LINK - ALUMINUM	6
2	32466-1	VALVE END - ALUMINUM	5
2	3206-18	GROOVED PIN (1/4 X 1 1/2) - ST. STEEL	4
2	32484	VALVE END SHAFT - ST. STEEL	3
-	33087	VALVE END ASSEMBLY	-
4	34096	OPERATING SHAFT END - ST. STEEL	2
1	33991	BODY ASSEMBLY - ALUMINUM	1

9700-22A ASSEMBLY

QTY PART No. DESCRIPTION ITEM

BILL OF MATERIAL

ELLCON NATIONAL
 50 BEECHTREE BLVD. GREENVILLE, S.C. 29605

"NORSON" PNEUMATIC OUTLET

SCALE 1/8 & NOTED DATE 5-17-00 REV.

DRAWN AKH
 CHECKED JLF D-9700-22A

MATERIAL:

THIS DOCUMENT AND ITS CONTENTS CONTAIN CONFIDENTIAL AND PROPRIETARY INFORMATION OWNED BY ELLCON-NATIONAL, INC. AND IT AND ALL COPIES THEREOF ARE TO BE RETURNED TO ELLCON-NATIONAL WHEN SO REQUESTED. THIS DOCUMENT OR ANY PART THEREOF SHALL NOT BE REPRODUCED, COPIED, OR TRANSMITTED ELECTRONICALLY. THE INFORMATION CONTAINED HEREIN SHALL NOT BE DISCLOSED BY THE RECIPIENT TO OTHERS OR USED BY RECIPIENT WITHOUT THE PRIOR WRITTEN CONSENT SPECIFIC TO EACH CASE. ELLCON-NATIONAL, INC.

EST WT = 169 LBS