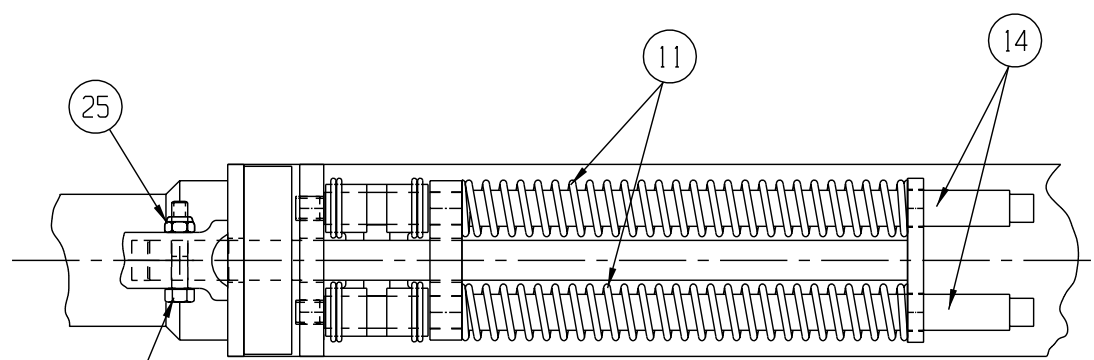
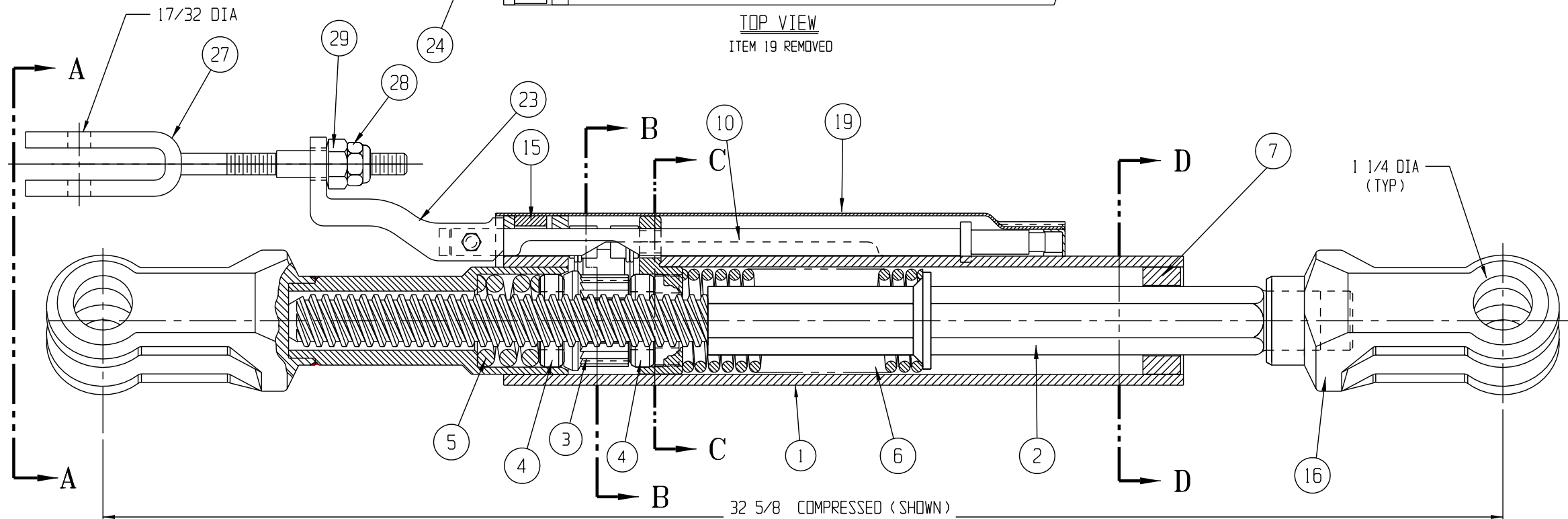


REVISIONS			
LTR	DATE	DESCRIPTION	BY
F	4-1-92	REDRAWN ON COMPUTER. BALLOON NO. 5 CHANGED. ADDED ITEMS 27-29. CHANGED SCALE. ADDED 7100-26R TO BILL OF MAT'L. ADDED VIEW A-A FOR 7100-26R. ITEM 2 WAS 9532. ITEM 16 WAS 9316	PAB
G	5-11-92	ADDED P/N NOTE *	DAC
H	7-10-92	31072 WAS 31295	PAB
J	6-9-97	REMOVED ALTERNATE PART 31295. P/N 33158 WAS 3443-33. P/N 33696 WAS P/N 9117. CHANGED DRAWING PICTURE PER ECN #400	AKH
K	4-2-98	ITEM 21 WAS P/N 3442-14 PER ECN #1217	AKH
L	07-12-00	CHANGED PICTURE OF IT 23 ECN #2857	JMB J.F.



TOP VIEW
ITEM 19 REMOVED



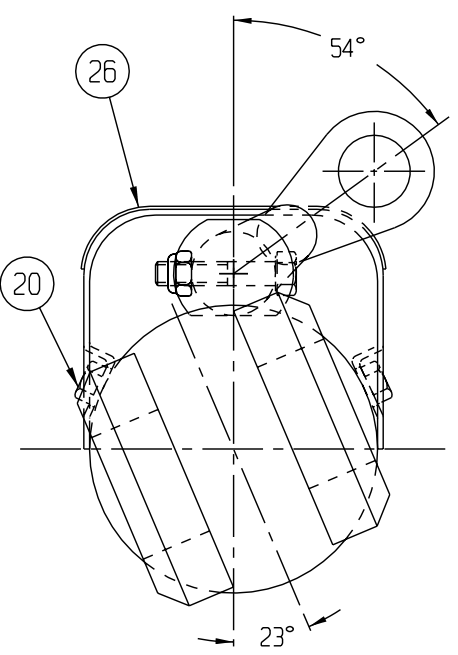
32 5/8 COMPRESSED (SHOWN)
37 9/16 EXTENDED

7100-26 SHOWN

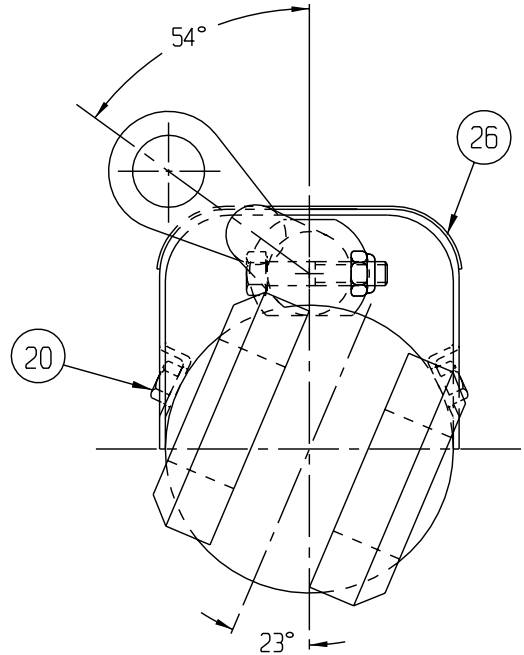
REFERENCE DRAWINGS:
IDENTIFICATION OF PARTS DX-7100-26
OUTLINE DRAWING B-9680 FOR 7100-26
OUTLINE DRAWING B-31320 FOR 7100-26R

1	1	33158	CONTROL ROD NUT	29
1	1	4493-35	NUT, ESNA 1/2-13 UNC	28
1	1	31139	CONTROL ARM	27
1	1	9356	NAMEPLATE	26
1	1	4493-7	NUT, ESNA 1/4-20 UNC	25
1	1	3442-59	BOLT, HEX. HD. 1/4-20 X 1-3/8	24
-	1	31073-2	TRIGGER	23
1	-	31073-1	TRIGGER	23
1	1	9537	WARNING TAG	22
1	1	3442-27	SHIPPING BOLT	21
6	6	3978-1	SCREW, HEX. HD. 1/4-20 X 9/32	20
1	1	9295	COVER	19
2	2	4516-23	SET SCREW	18
1	1	31059	ADJUSTING SPACER (PT OF IT 1)	17
1	1	31998	JAW	16
1	1	9255	FELT	15
2	2	31053	PAWL AND ACT. SPRING GUIDE	14
2	2	9303	PAWL SPRING	13
2	2	9169	PAWL	12
2	2	9254	ACTUATOR SPRING	11
1	1	31072	CAMMING BAR	10
1	1	30916	RETAINER	9
3	3	3442-131	SCREW, HEX. HD. 3/8-16 X 5/8	8
1	1	30909	END CLOSURE	7
1	1	33696	LOAD SPRING	6
1	1	8847	COMPRESSION SPRING	5
2	2	8855	BEARING	4
1	1	30946	NUT	3
1	1	32017	SCREW ASSEMBLY	2
-	1	31070-R	HOUSING ASSEMBLY	1
1	-	31070	HOUSING ASSEMBLY	1
X		7100-26R	ASSEMBLY (RIGHT HAND)	-
X		7100-26	ASSEMBLY (LEFT HAND)	-
QTY.	PART NO.	DESCRIPTION		ITEM

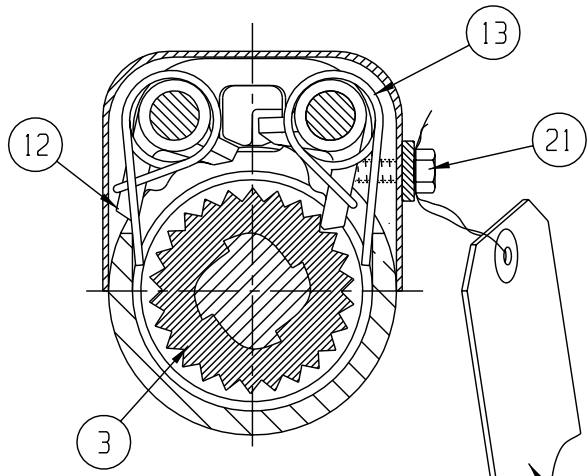
BILL OF MATERIAL



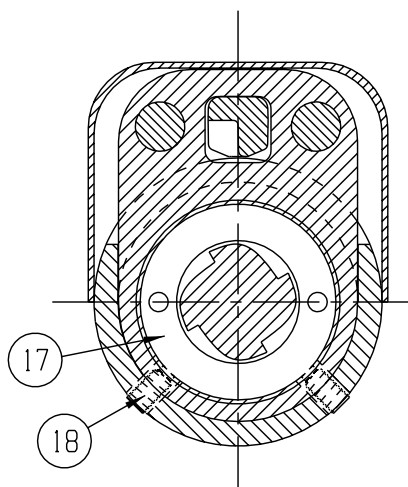
VIEW A-A
(FULL SCALE)
WITH ITEM 27 REMOVED
7100-26 ONLY



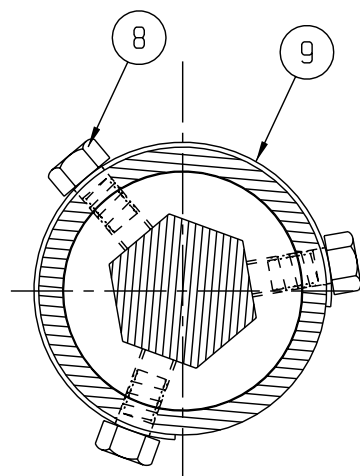
VIEW A-A
(FULL SCALE)
WITH ITEM 27 REMOVED
7100-26R ONLY



SECTION B-B
(FULL SCALE)



SECTION C-C
(FULL SCALE)



SECTION D-D
(FULL SCALE)

EST WT = 48 LBS

ALL DIMENSIONS NOMINAL

THIS DOCUMENT AND ITS CONTENTS CONTAIN CONFIDENTIAL AND PROPRIETARY INFORMATION OWNED BY ELLCON-NATIONAL, INC. AND IT AND ALL COPIES THEREOF ARE TO BE RETURNED TO ELLCON-NATIONAL WHEN SO REQUESTED. THIS DOCUMENT OR ANY PART THEREOF SHALL NOT BE REPRODUCED, COPIED, OR TRANSMITTED ELECTRONICALLY. THE INFORMATION CONTAINED HEREIN SHALL NOT BE DISCLOSED BY THE RECIPIENT TO OTHERS OR USED BY RECIPIENT WITHOUT THE PRIOR WRITTEN CONSENT SPECIFIC TO EACH CASE. ELLCON-NATIONAL, INC.

ELLCON NATIONAL
50 BEECHTREE BLVD. GREENVILLE, S.C. 29605

MODEL 7100-26 & -26R
SLACK ADJUSTER

SCALE 8" = 12" DATE 1-26-88 REV. L

DRAWN WH D-7100-26
CHECKED DMS