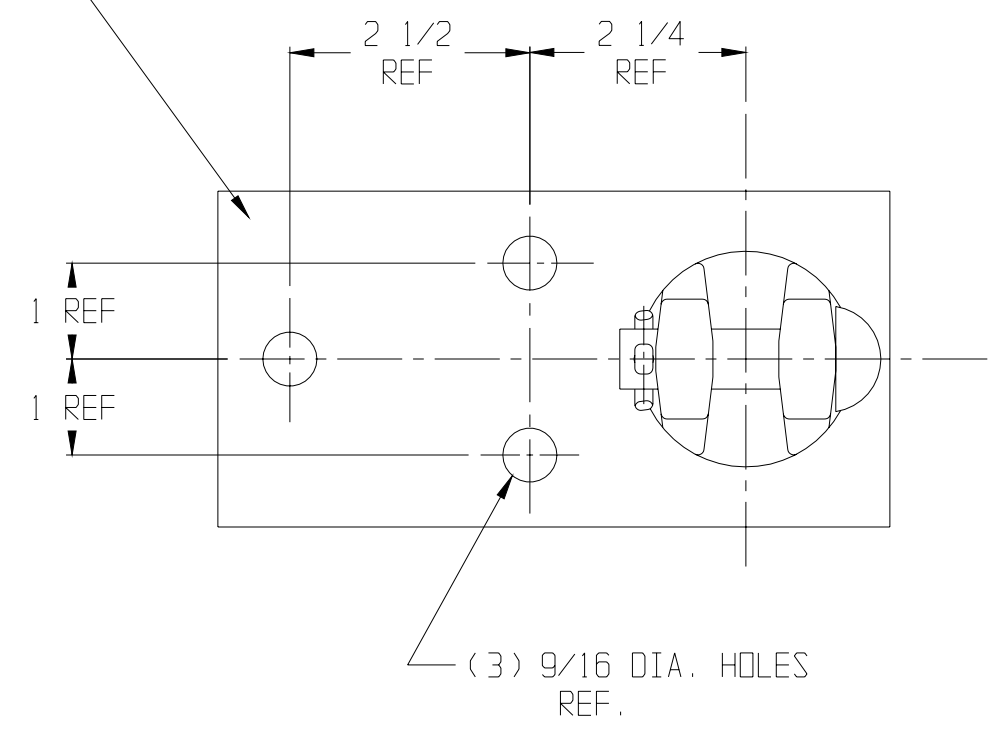


REVISIONS			
LTR	DATE	DESCRIPTION	BY
B	6/12/92	REDRAWN ON CAD, ITEM 5 WAS 5/8 RIVET P/N 3208-6, ADDED ITEM 7	MMM
C	11/23/92	IN SNUBBER NOTE AT F-9, "SNUBBER PIN" WAS "RIVET" PER EDR #92-415	MMM
D	1-6-92	P/N 31258 WAS 5860 PER EDR 92-437	MMM
E	8-31-93	ADDED P/N INFO, PER EDR 93-213	PAB
F	9-15-94	ALL DIM.S MADE REF PER EDR 94-484	DAC
G	10-25-95	ADDED NOTE ABOUT TIGHTENING PER EDR 95-574	MMM
H	10-15-96	ADDED ** NOTE PER EDR 96-538	MMM
J	11-3-96	REMOVED ** NOTE, P/N 7360 SHOCK RETARDER ASS'Y, P/N 7360-98 BEFORE PAINTING, P/N 7360-91 BEFORE WELDING AND CLARIFIED BOM. ECN 5	LPS

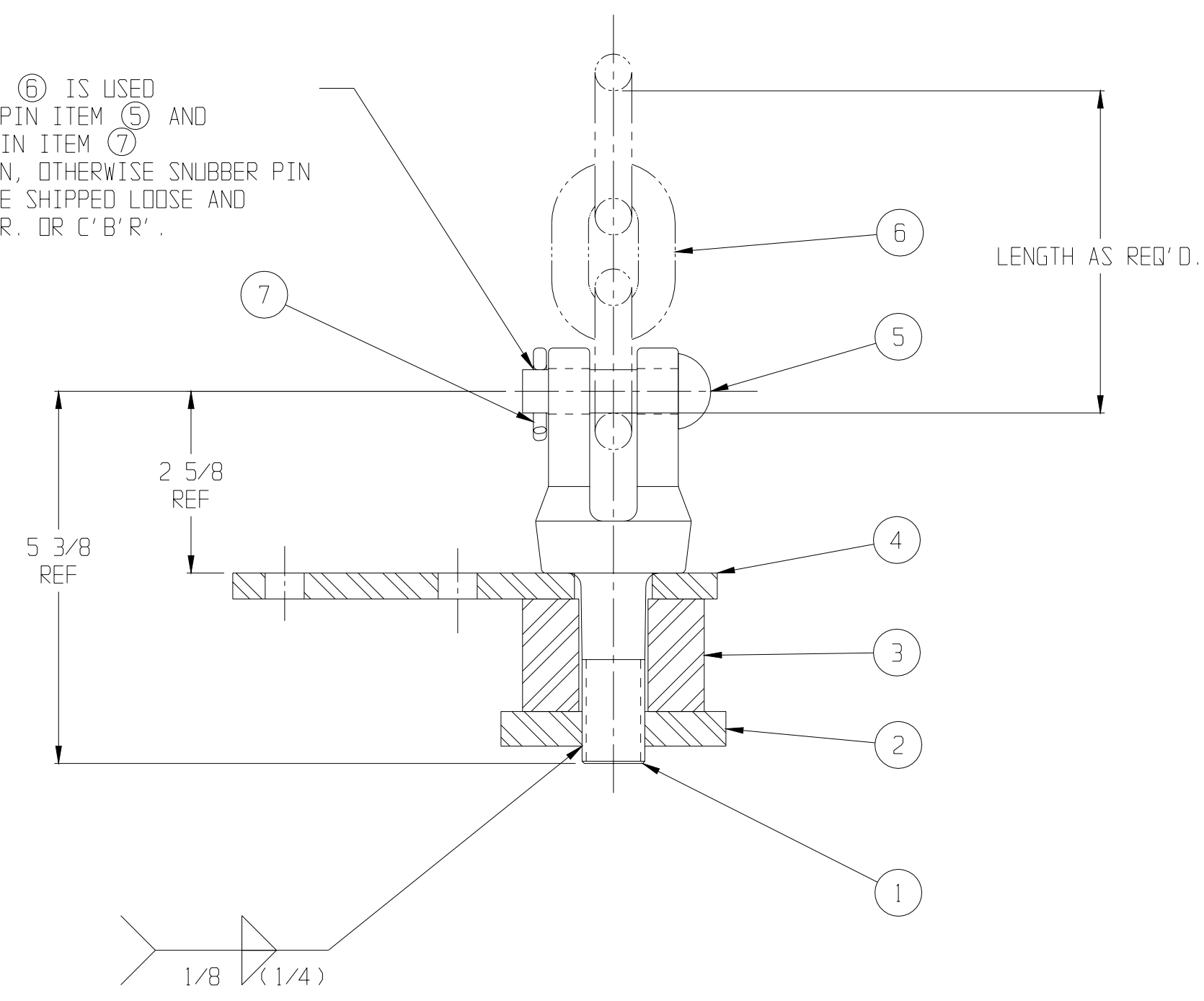
ANCHOR PLATE ITEM (4)
(THIS PIECE CAN BE ORIENTED TO SUIT)



SHOCK RETARDER ASSEMBLY
PART No. 7360 []

[] PART DASH No. IS TO AGREE WITH CHAIN PART DASH No.

WHEN CHAIN ITEM (6) IS USED INSERT SNUBBER PIN ITEM (5) AND INSERT COTTER PIN ITEM (7) INTO SNUBBER PIN, OTHERWISE SNUBBER PIN AND COTTER TO BE SHIPPED LOOSE AND INSTALLED BY R.R. OR C'B'R'.



* LENGTH OF CHAIN WILL BE INDICATED BY A 3 DIGIT OR 4 DIGIT NUMBER FOLLOWED BY ANY FRACTIONS. THE LAST TWO DIGITS WILL INDICATE INCHES AND THE OTHER DIGITS WILL INDICATE FEET. SAMPLE - 209 = 2 FT. 9 IN. : CHAIN PART No. IS 32158-209 ASSY. PART No. IS 7360-209

NOTE:
ITEM 4 MUST BE TIGHT AGAINST ITEM 1. THIS IS DONE BY ASSEMBLING ITEMS 2-4 ONTO ITEM 1 UNTIL ITEMS 2, 3, & 4 ARE SEATED PROPERLY, AND THEN TIGHTEN BY ONE FULL TURN OF ITEM 4.

QTY.	PART No.	DESCRIPTION	ITEM No.
1	4034-4	COTTER PIN	7
AR	32158	CHAIN (7/16 ALLOY) WHEN USED	6
1	31694	SNUBBER PIN	5
1	5461	ANCHOR PLATE	4
1	7385	SNUBBER	3
1	7392	SNUBBER RETAINER	2
1	7391	SHOCK RETARDER SHAFT	1
-	7360-1	SHOCK RETARDER	
-	7360	SHOCK RETARDER ASS'Y	

BILL OF MATERIALS LIST

TOLERANCES AND FINISHES UNLESS OTHERWISE NOTED
 DECIMALS .XX ±
 DECIMALS .XXX ±
 ANGLES ±
 FRACTIONS ±
 DRILLED HOLE DIAMETERS +.010/-0.001
 BREAK ALL SHARP CORNERS AND EDGES
 C'SK ALL TAPPED HOLES 118° x ONE THREAD DEEP
 MACHINED SURFACES 125/

ELLCON NATIONAL
 50 BEECHTREE BLVD. GREENVILLE, S.C. 29605

SHOCK RETARDER ASSEMBLY (FABRICATED)
 P/N 7360

SCALE 1:2 DATE 1-26-79 REV.
 DRAWN P.R.
 CHECKED DMS

MATERIAL:
 5600
 33000, -2
 NEXT ASS'Y USED ON

C-7360 J