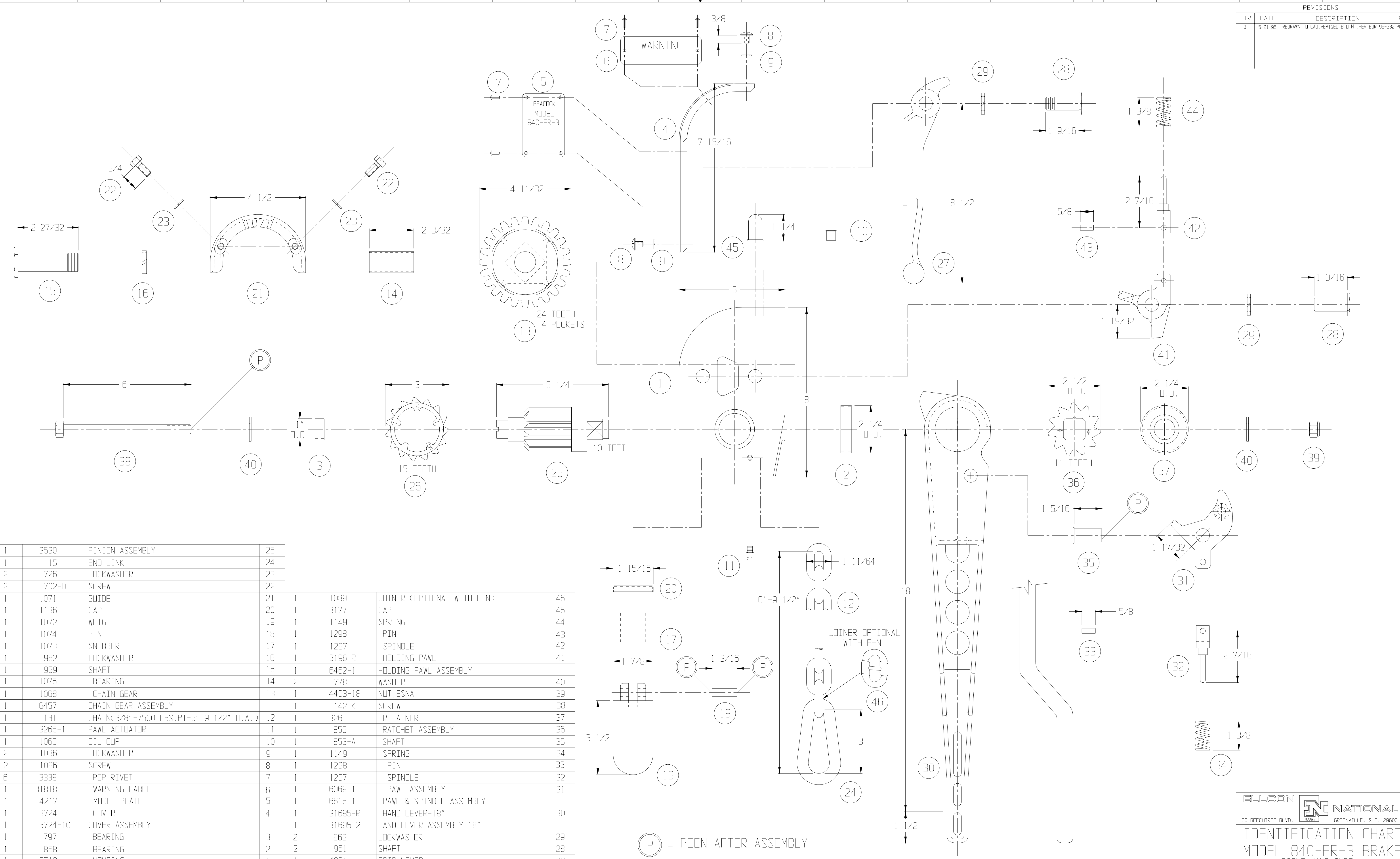


REVISIONS			
LTR	DATE	DESCRIPTION	BY
B	5-21-96	REDRAWN TO CAD, REVISED B.O.M. PER EDR 96-382 PCC	



1	3530	PINION ASSEMBLY	25	25	1089	JOINER (OPTIONAL WITH E-N)	46
1	15	END LINK	24	24	3177	CAP	45
2	726	LOCKWASHER	23	23	1149	SPRING	44
2	702-D	SCREW	22	22	1298	PIN	43
1	1071	GUIDE	21	21	1297	SPINDLE	42
1	1136	CAP	20	20	6462-1	HOLDING PAWL ASSEMBLY	41
1	1072	WEIGHT	19	19	778	WASHER	40
1	1074	PIN	18	18	4493-18	NUT, ESNA	39
1	1073	SNUBBER	17	17	142-K	SCREW	38
1	962	LOCKWASHER	16	16	3263	RETAINER	37
1	959	SHAFT	15	15	855	RATCHET ASSEMBLY	36
1	1075	BEARING	14	14	853-A	SHAFT	35
1	1068	CHAIN GEAR	13	13	1149	SPRING	34
1	6457	CHAIN GEAR ASSEMBLY	12	12	1298	PIN	33
1	131	CHAIN 3/8"-7500 LBS.PT-6' 9 1/2" O.A.)	11	11	7	SPINDLE	32
1	3265-1	PAWL ACTUATOR	10	10	1297	SPINDLE	32
1	1065	OIL CUP	9	9	3338	PDP RIVET	31
2	1086	LOCKWASHER	8	8	31818	WARNING LABEL	31
2	1096	SCREW	7	7	4217	MODEL PLATE	31
6	3338	PDP RIVET	6	6	3724	COVER	30
1	31818	WARNING LABEL	5	5	3724-10	COVER ASSEMBLY	30
1	4217	MODEL PLATE	4	4	797	BEARING	29
1	3724	COVER	3	3	858	BEARING	28
1	3724-10	COVER ASSEMBLY	2	2	3718	HOUSING	27
1	797	BEARING	1	1	3718-10	HOUSING ASSEMBLY	26
1	858	BEARING	1	1			
1	3718	HOUSING	1	1			
1	3718-10	HOUSING ASSEMBLY	1	1			

QTY.	PART NO.	NAME	ITEM	QTY.	PART NO.	NAME	ITEM
------	----------	------	------	------	----------	------	------

BILL OF MATERIAL

SEE DWG D-31680 FOR ASSEMBLY OF THESE PARTS

ELLCON NATIONAL
 50 BEECHTREE BLVD. GREENVILLE, S.C. 29605
 IDENTIFICATION CHART
 MODEL 840-FR-3 BRAKE
 RIGHT HAND TYPE
 SCALE HALF DATE 9-10-90 REV.
 DRAWN REPRO DX-31680 B
 CHECKED DJT